

4

3

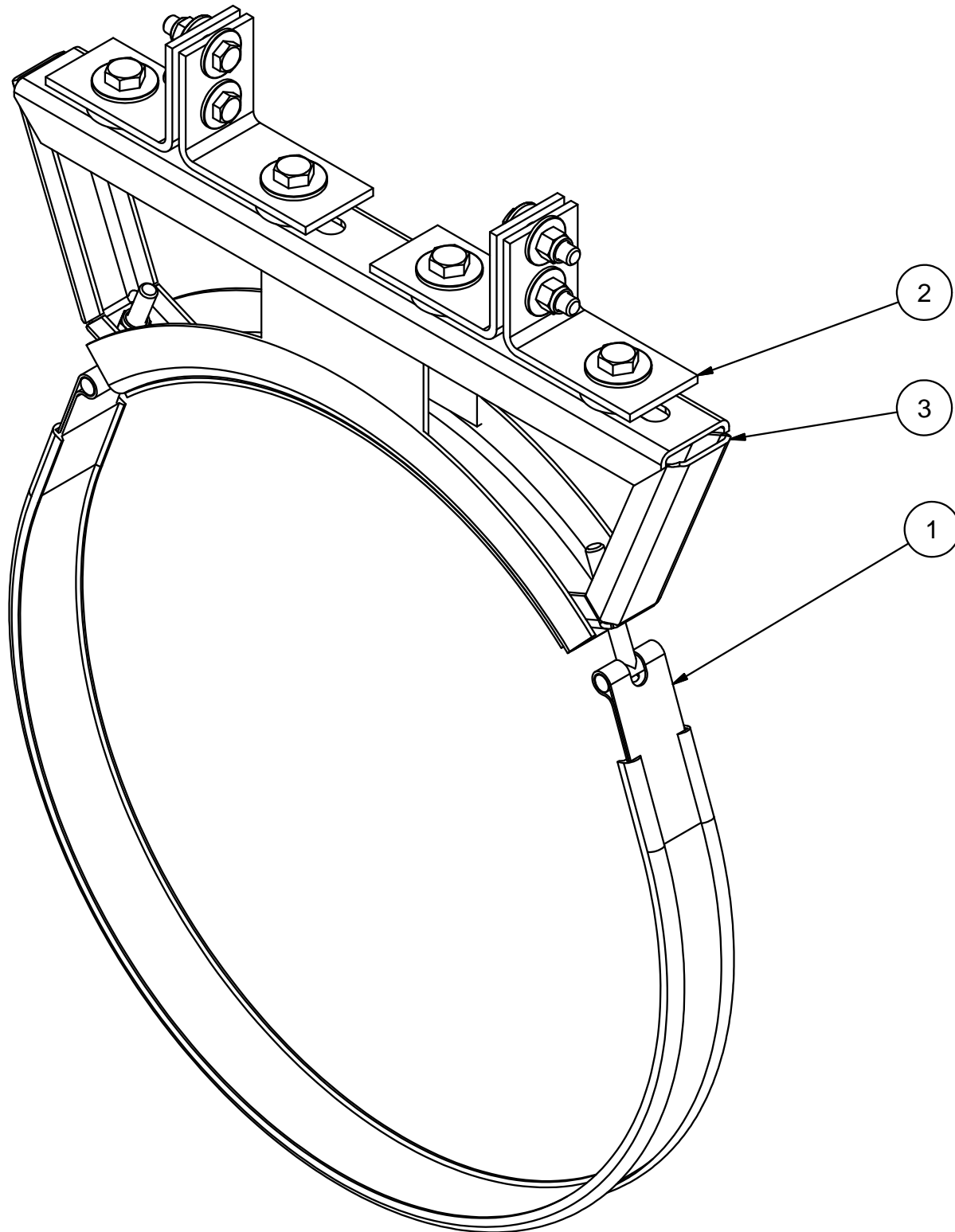
2

1

Parts List			
ITEM	QTY	PART NUMBER	DESCRIPTION
1	1	ASA-6357-S	STAINLESS STRAP
2	1	ASK-205-R	FRAME MOUNTING HARDWARE
3	1	RMK-824	REEFER MOUNTING BRACKET

B

B



2

3

1

A

A

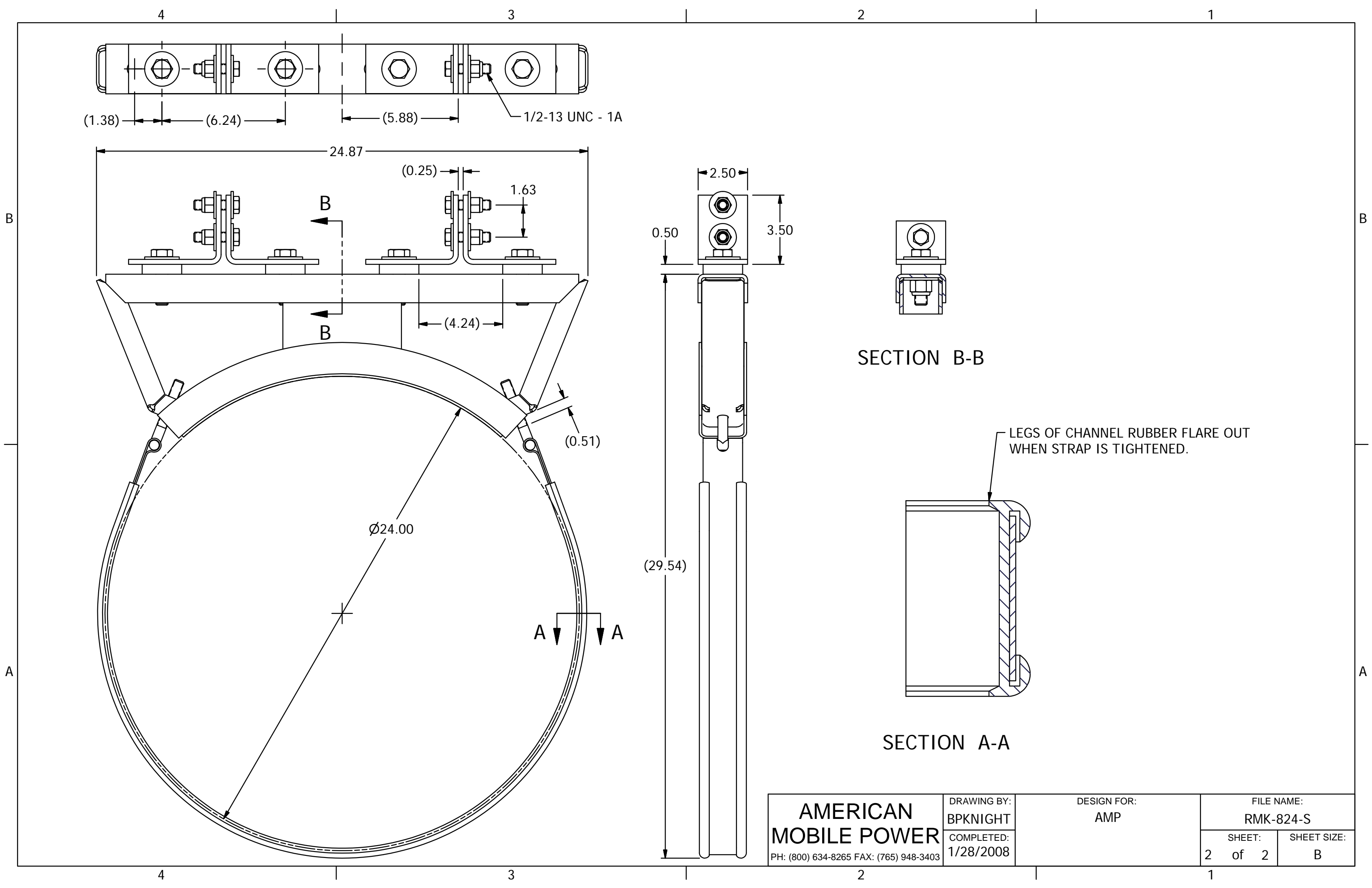
4

3

2

1

AMERICAN MOBILE POWER PH: (800) 634-8265 FAX: (765) 948-3403	DRAWING BY: BPKNIGHT	DESIGN FOR: AMP	FILE NAME: RMK-824-S	
	COMPLETED: 1/28/2008		SHEET: 1 of 2	SHEET SIZE: B



AMERICAN MOBILE POWER PH: (800) 634-8265 FAX: (765) 948-3403	DRAWING BY: BPKNIGHT	DESIGN FOR: AMP	FILE NAME: RMK-824-S	
	COMPLETED: 1/28/2008		SHEET: 2 of 2	SHEET SIZE: B