

4

3

2

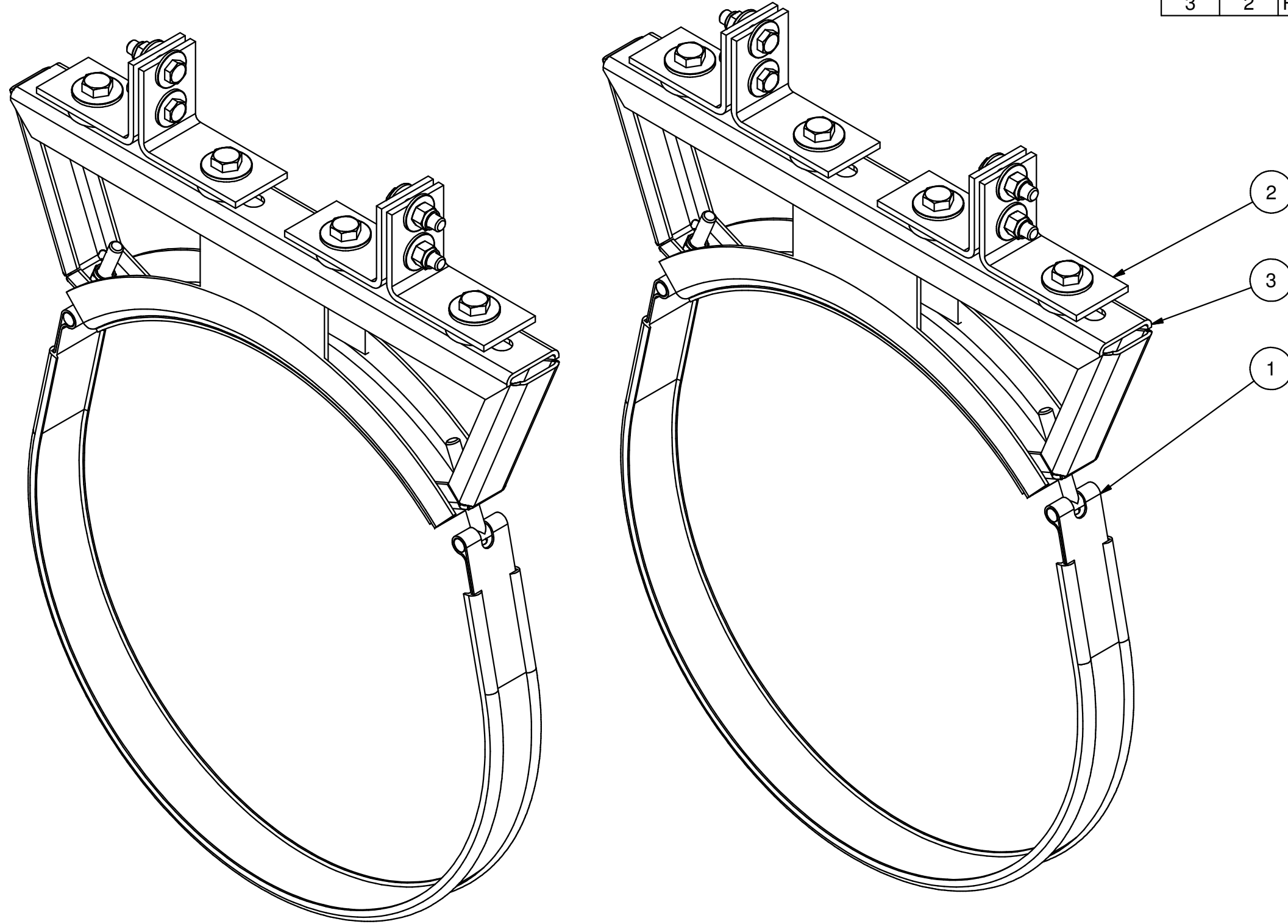
1

Parts List

ITEM	QTY	PART NUMBER	DESCRIPTION
1	2	ASA-5852-S	STAINLESS STRAP ASSEMBLY
2	2	ASK-205-R	FRAME MOUNTING HARDWARE
3	2	RMK-824	REEFER MOUNTING BRACKET

B

B



A

A

4

3

2

1

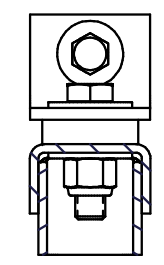
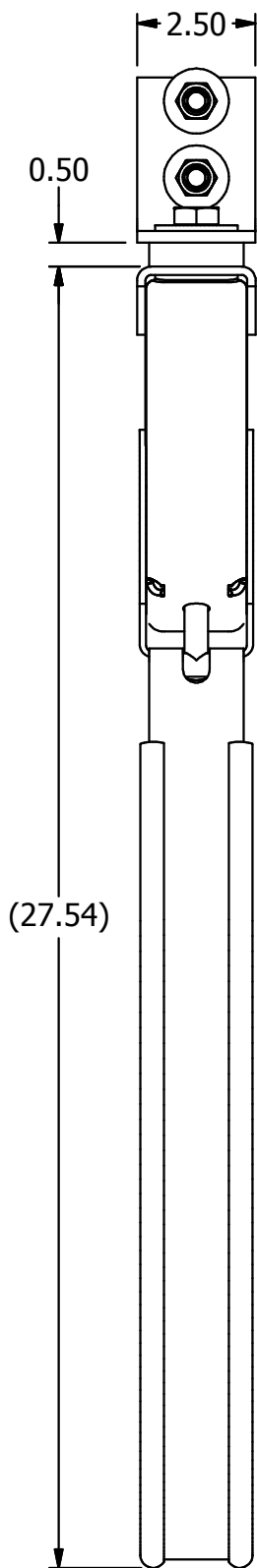
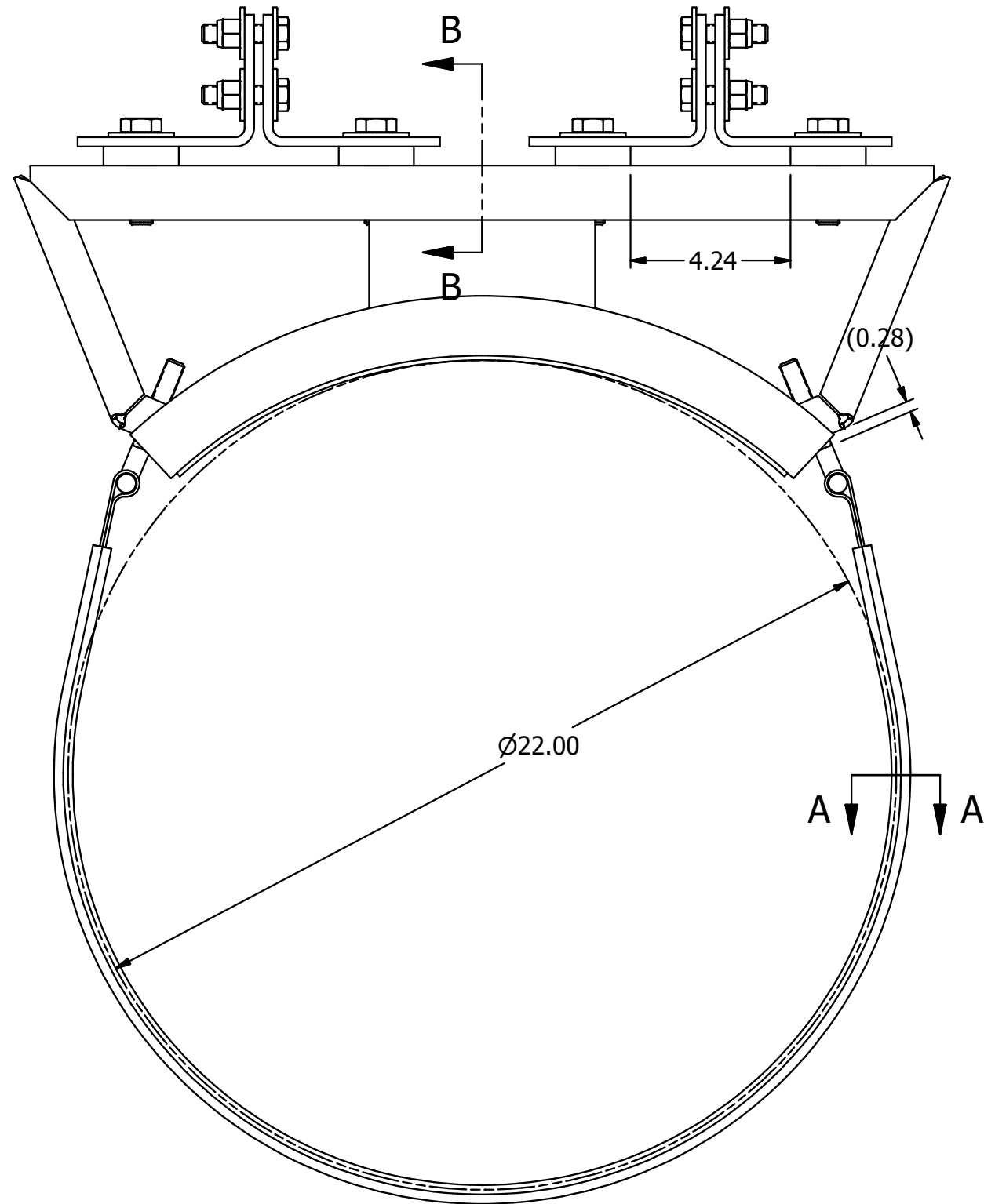
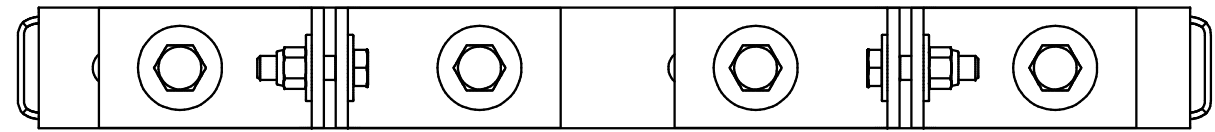
AMERICAN MOBILE POWER <small>PH: (800) 634-8265 FAX: (765) 948-3403</small>	DRAWING BY: BPKNIGHT	DESIGN FOR: AMP	FILE NAME: RMK-822-S	
	COMPLETED: 10/5/2007		SHEET: 1 of 2	SHEET SIZE: B

4

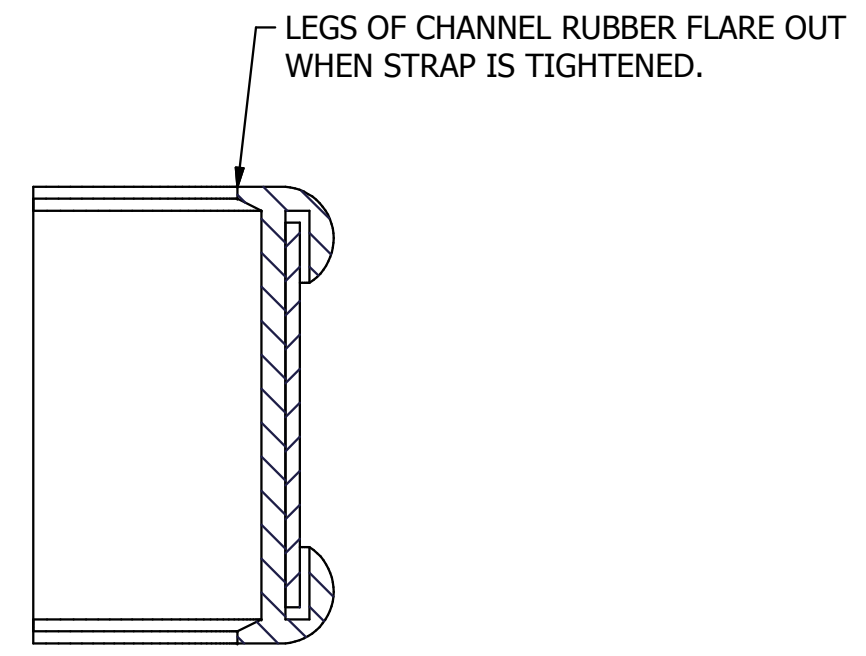
3

2

1



SECTION B-B



SECTION A-A

AMERICAN MOBILE POWER PH: (800) 634-8265 FAX: (765) 948-3403	DRAWING BY: BPKNIGHT	DESIGN FOR: AMP	FILE NAME: RMK-822-S	
	COMPLETED: 10/5/2007		SHEET: 2 of 2	SHEET SIZE: B

4

3

2

1

B

B

A

A