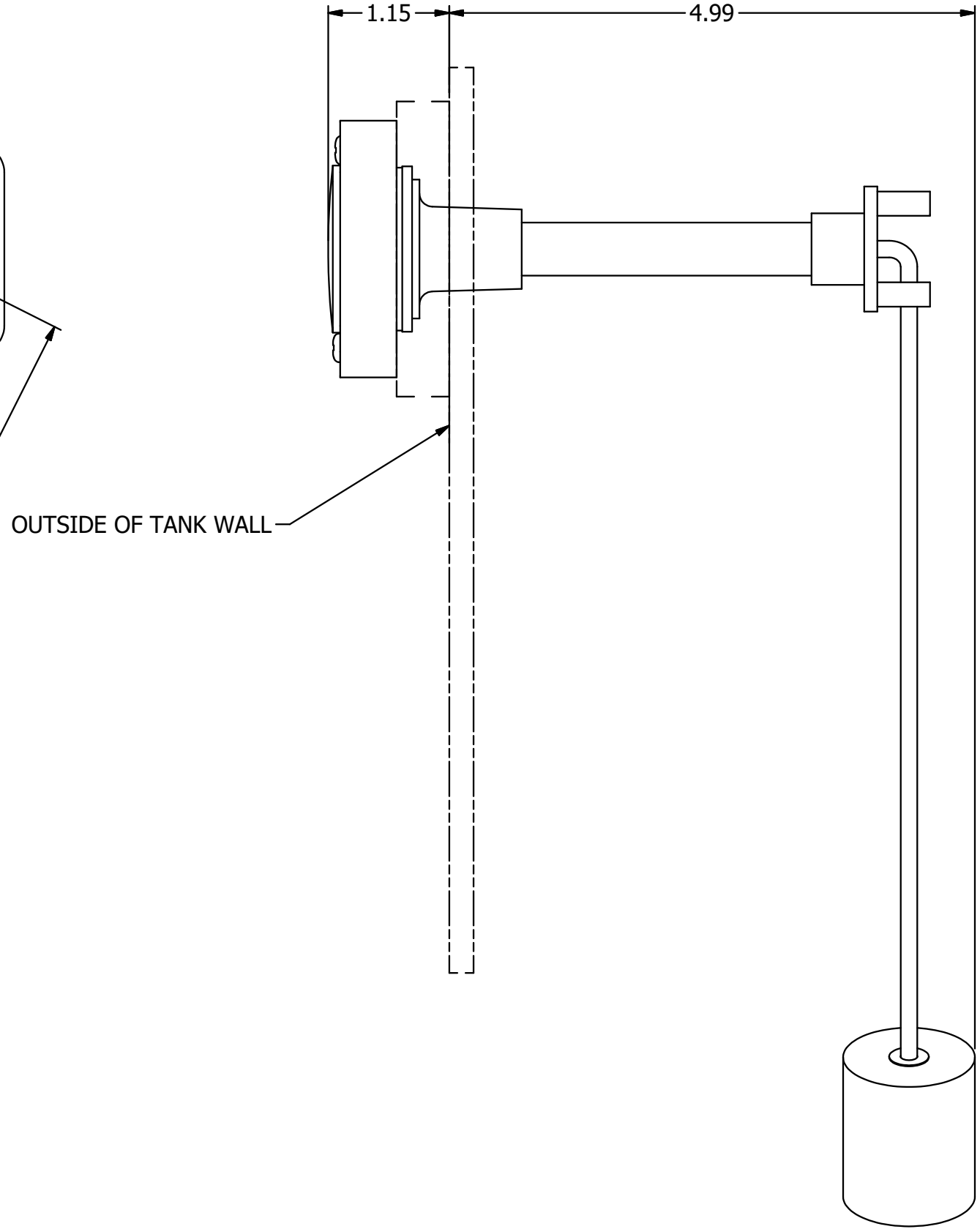
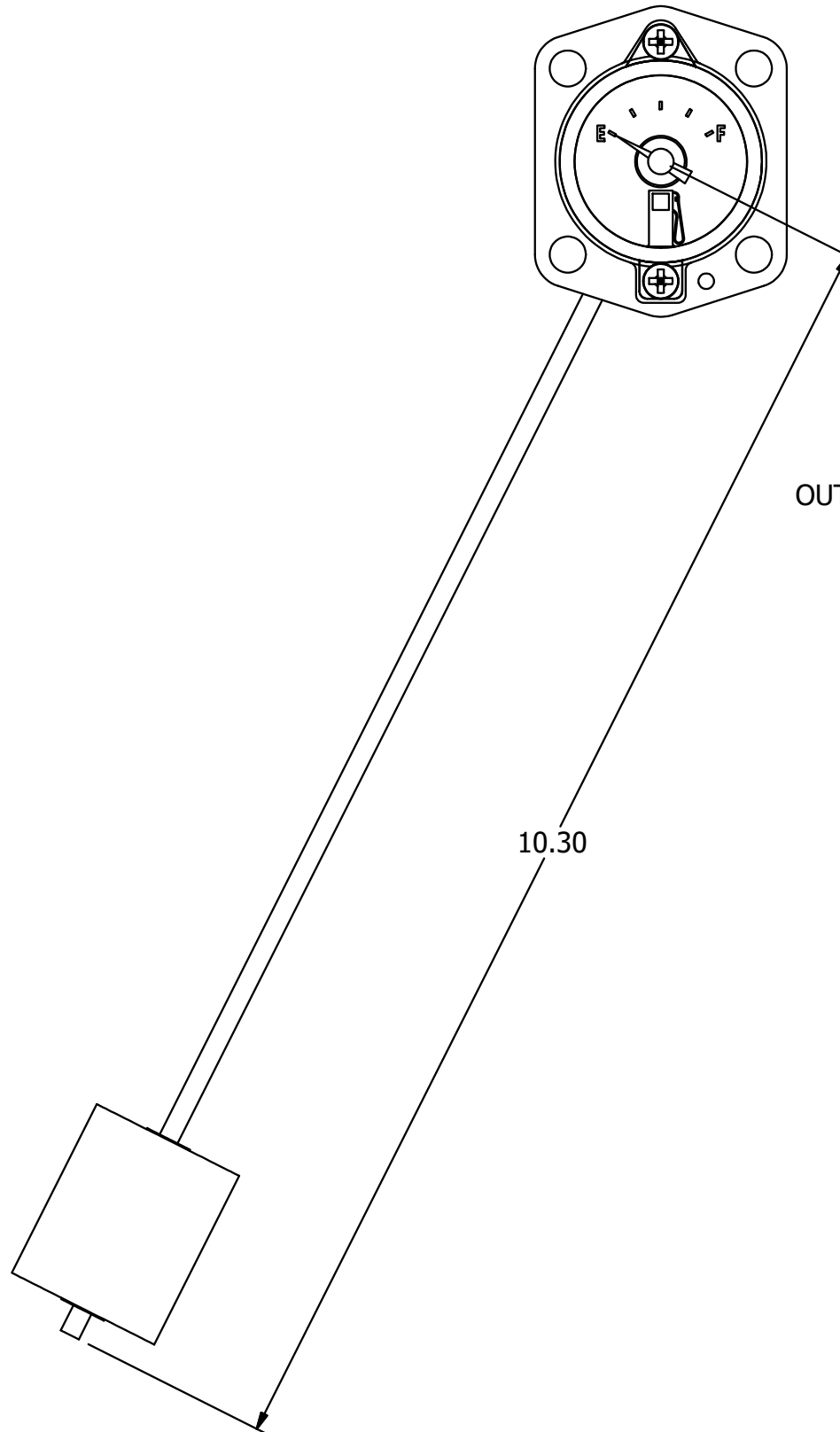


Parts List			
ITEM	QTY	PART NUMBER	DESCRIPTION
1	1	ROCHESTER 10	10" RADIUS ROCHESTER FUEL GAUGE



<b>AMERICAN MOBILE POWER</b> <small>PH: (800) 634-8265 FAX: (765) 948-3403</small>	DRAWING BY: BPKNIGHT	DESIGN FOR: AMP	FILE NAME: FGA-2200	
	COMPLETED: 7/23/2019		SHEET: 1 of 1	SHEET SIZE: B