

4

3

2

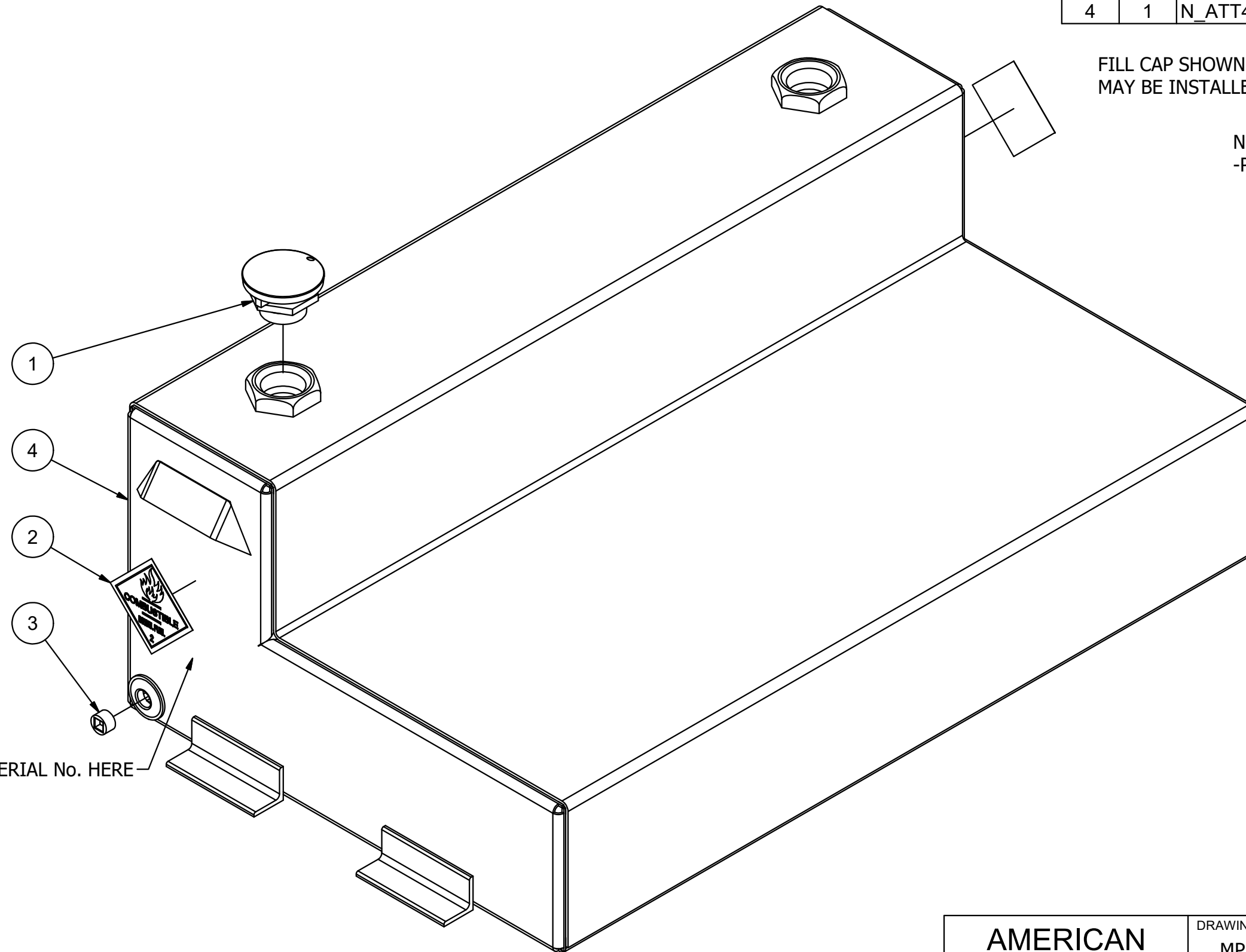
1

Parts List

ITEM	QTY	PART NUMBER	DESCRIPTION
1	1	906001-4	2" NPT LOCKING VENTED DIESEL FILL CAP
2	2	DIESEL-2	4x4 RED/WHITE PEEL-N-STICK
3	1	APP0750-M	3/4" NPT MAG PLUG
4	1	N_ATT4075	NAM WELDMENT ~85 1/2 lbs

FILL CAP SHOWN FOR REFERENCE;  
MAY BE INSTALLED IN EITHER PORT.

NOTE:  
-PLUG ALL PORTS FOR SHIPMENT



STAMP SERIAL No. HERE

DATE	SYM.	DESCRIPTION	BY
9-14-18	N/A	ADDED S/N NOTE	BPK
6-1-07	N/A	CHANGE HEADS TO MILL FINISH; ADD STICKER	BPK

REVISIONS

<b>AMERICAN MOBILE POWER</b> PH: (800) 634-8265 FAX: (765) 948-3403	DRAWING BY: MPB	DESIGN FOR: NAM	FILE NAME: ATT4075	
	COMPLETED: 11/10/2003		SHEET: 1 of 10	SHEET SIZE: B

4

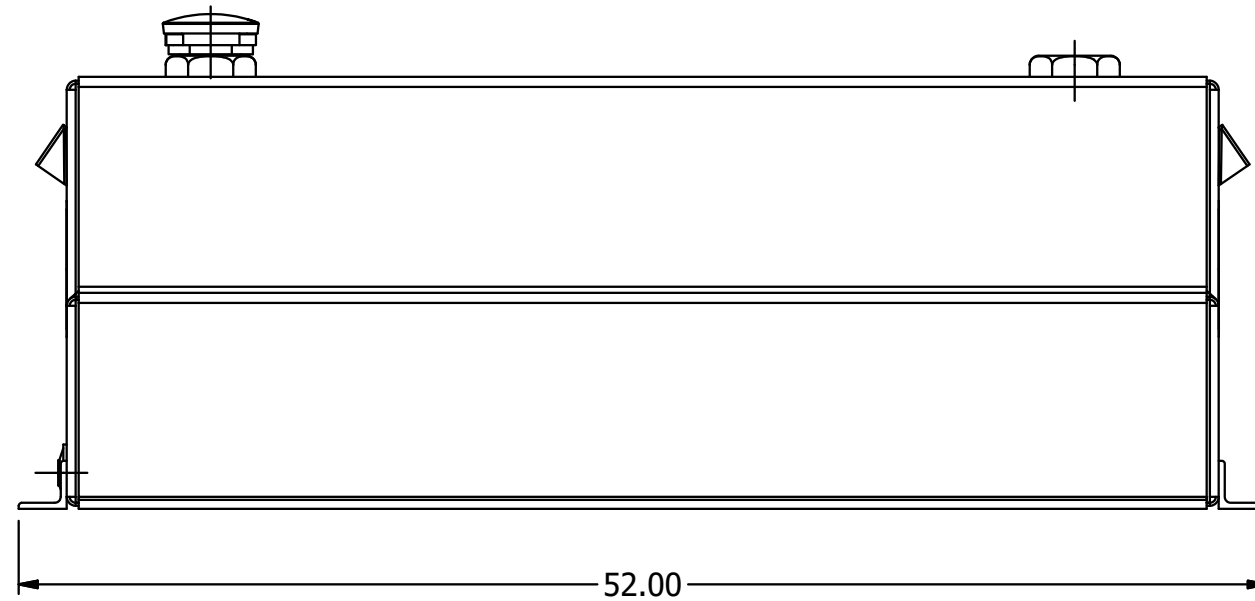
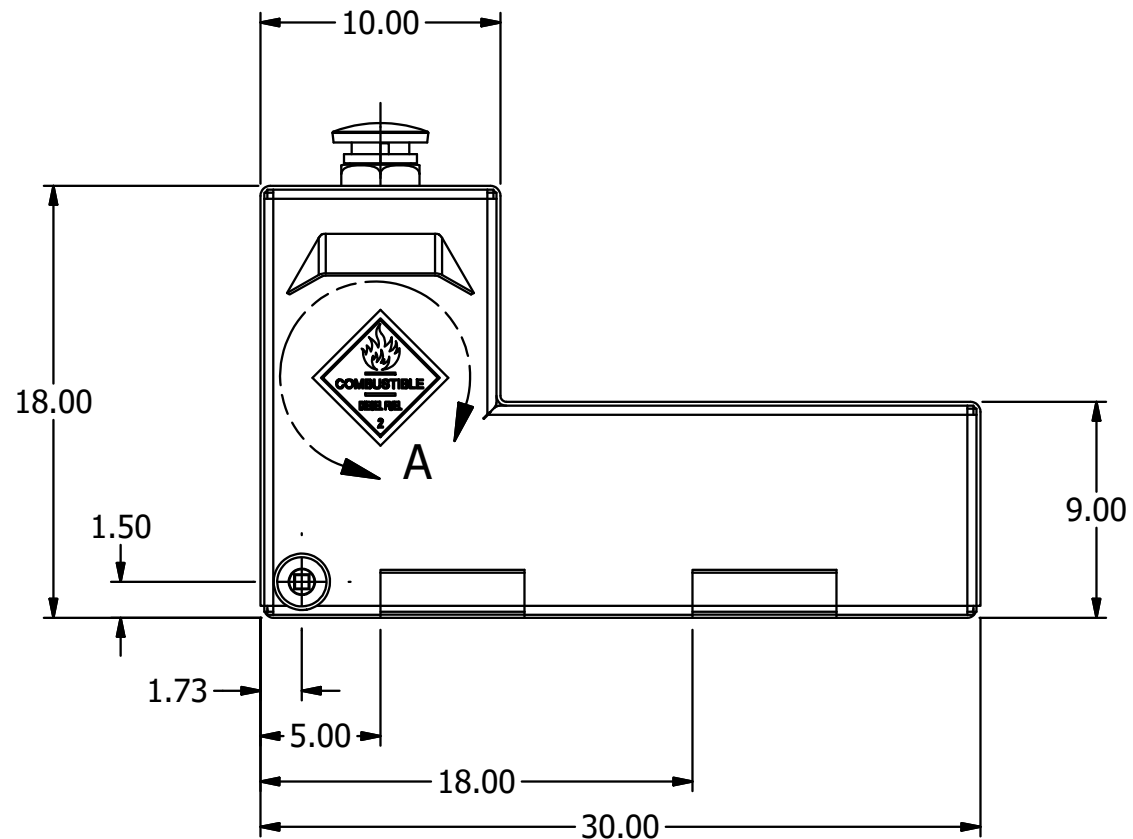
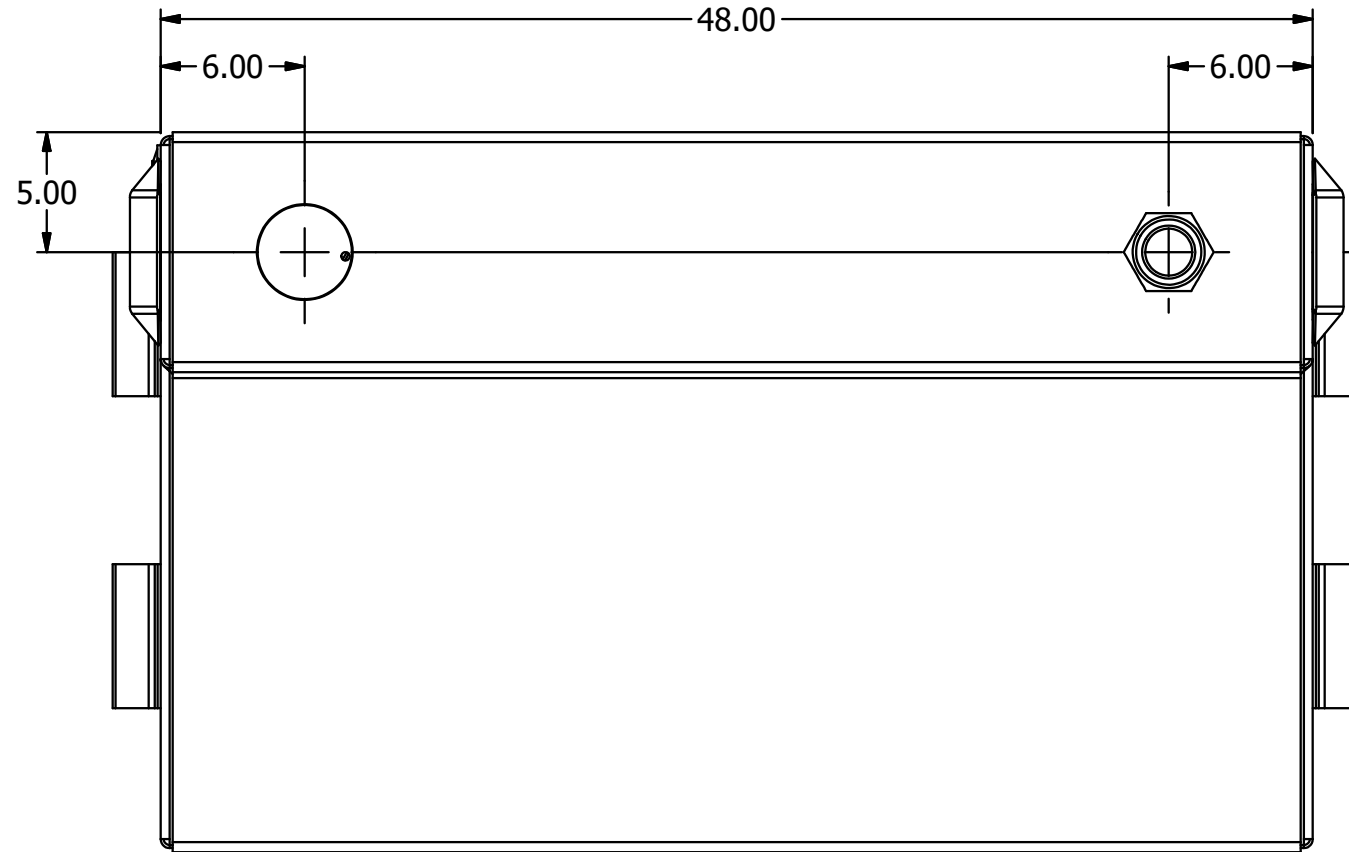
3

2

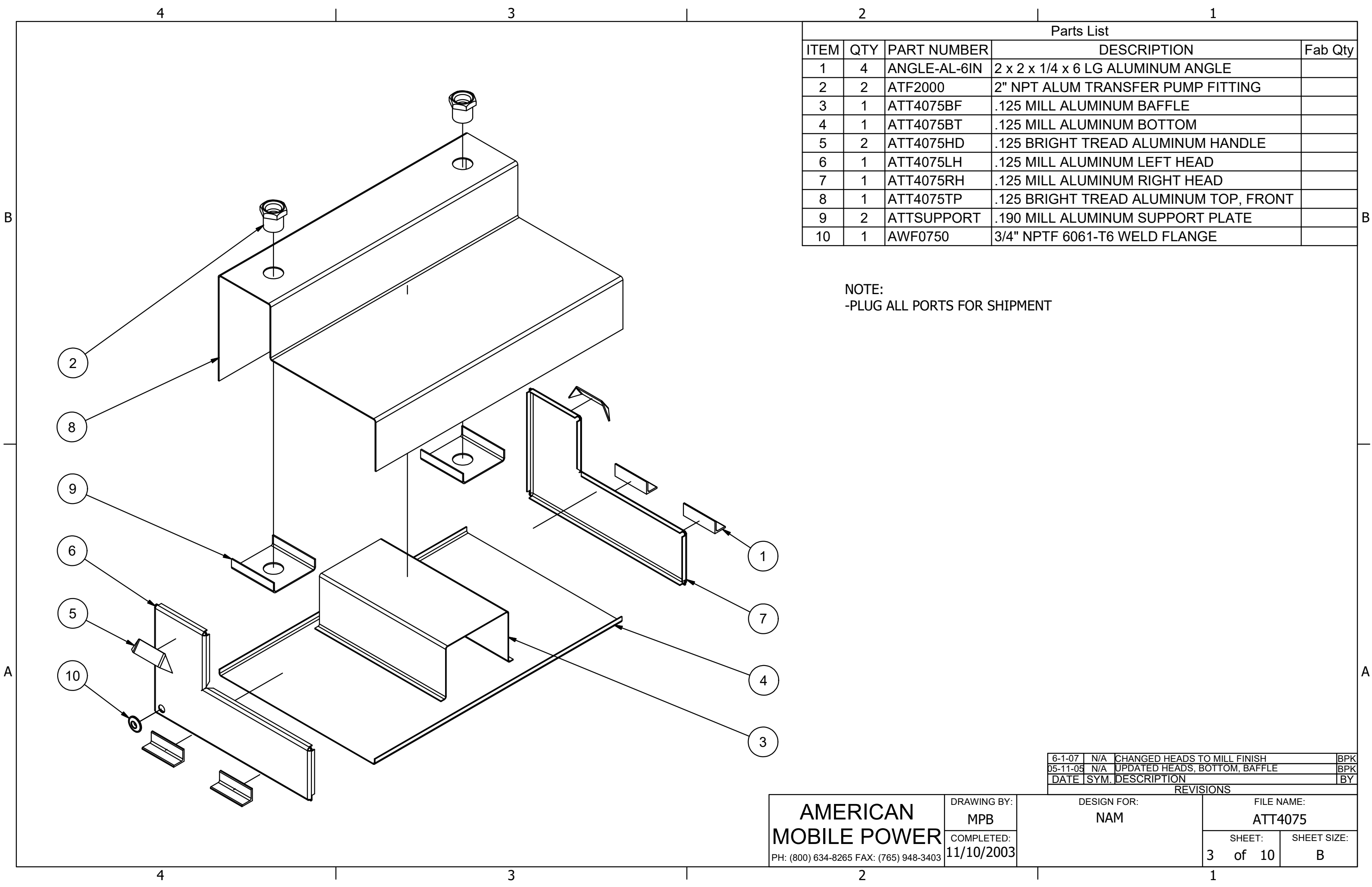
1



DETAIL A



<b>AMERICAN MOBILE POWER</b> <small>PH: (800) 634-8265 FAX: (765) 948-3403</small>	DRAWING BY: MPB	DESIGN FOR: NAM	FILE NAME: ATT4075	
	COMPLETED: 11/10/2003		SHEET: 2 of 10	SHEET SIZE: B



Parts List				
ITEM	QTY	PART NUMBER	DESCRIPTION	Fab Qty
1	4	ANGLE-AL-6IN	2 x 2 x 1/4 x 6 LG ALUMINUM ANGLE	
2	2	ATF2000	2" NPT ALUM TRANSFER PUMP FITTING	
3	1	ATT4075BF	.125 MILL ALUMINUM BAFFLE	
4	1	ATT4075BT	.125 MILL ALUMINUM BOTTOM	
5	2	ATT4075HD	.125 BRIGHT TREAD ALUMINUM HANDLE	
6	1	ATT4075LH	.125 MILL ALUMINUM LEFT HEAD	
7	1	ATT4075RH	.125 MILL ALUMINUM RIGHT HEAD	
8	1	ATT4075TP	.125 BRIGHT TREAD ALUMINUM TOP, FRONT	
9	2	ATTSUPPORT	.190 MILL ALUMINUM SUPPORT PLATE	
10	1	AWF0750	3/4" NPTF 6061-T6 WELD FLANGE	

NOTE:  
-PLUG ALL PORTS FOR SHIPMENT

DATE	SYM.	DESCRIPTION	BY
6-1-07	N/A	CHANGED HEADS TO MILL FINISH	BPK
05-11-05	N/A	UPDATED HEADS, BOTTOM, BAFFLE	BPK

<b>AMERICAN MOBILE POWER</b> PH: (800) 634-8265 FAX: (765) 948-3403	DRAWING BY: <b>MPB</b>	DESIGN FOR: <b>NAM</b>	FILE NAME: <b>ATT4075</b>	
	COMPLETED: <b>11/10/2003</b>		SHEET: <b>3 of 10</b>	SHEET SIZE: <b>B</b>