

4

3

2

1

Parts List			
ITEM	QTY	PART NUMBER	DESCRIPTION
1	1	906001-4	2" NPT LOCKING VENTED DIESEL FILL CAP
2	2	DIESEL-2	4x4 RED/WHITE PEEL-N-STICK
3	1	APP0750-M	3/4" NPT MAG PLUG
4	1	N_ATT31020	NAM WELDMENT ~199.3 lbs

NOTES:
 -POWDER COAT BLACK
 -APPLY RUST INHIBITOR INSIDE
 -PLUG ALL PORTS FOR SHIPMENT

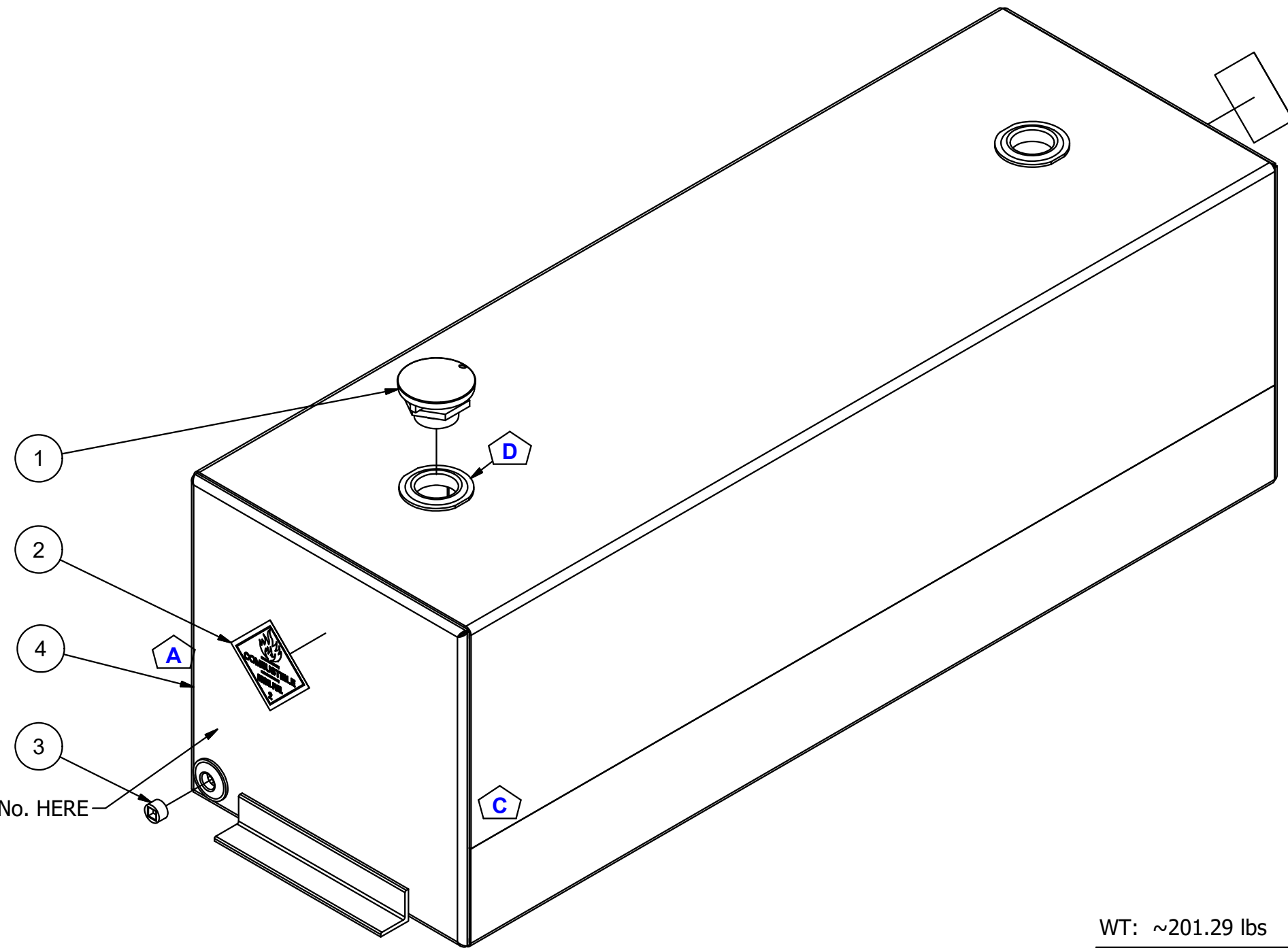
 -FILL CAP SHOWN FOR REFERENCE;
 MAY BE INSTALLED IN EITHER PORT

B

B

A

A



STAMP
 SERIAL No. HERE

DATE	SYM.	DESCRIPTION	BY
9-14-18	N/A	ADDED S/N NOTE	BPK
4-8-14	D	REPLACED 2" COUPLINGS AND DIFFUSERS	BPK
5-18-11	C	ADD MAT'L TO TOP TO COVER OFFSET	BPK
6-26-08	B	UPDATED CONSTRUCTION	BPK
6-4-07	A	ADD STICKERS	BPK
3-28-06	N/A	DEMOTED TANK PARTS TO NAM ASSEMBLY	BPK
9-6-05	N/A	UPDATED HEADS, BAFFLE, PARTS LIST	BPK

WT: ~201.29 lbs

AMERICAN MOBILE POWER PH: (800) 634-8265 FAX: (765) 948-3403	DRAWING BY: MRH	DESIGN FOR: AMP	FILE NAME: ATT31020	
	COMPLETED: 4/15/2002		SHEET: 1 of 11	SHEET SIZE: B

4

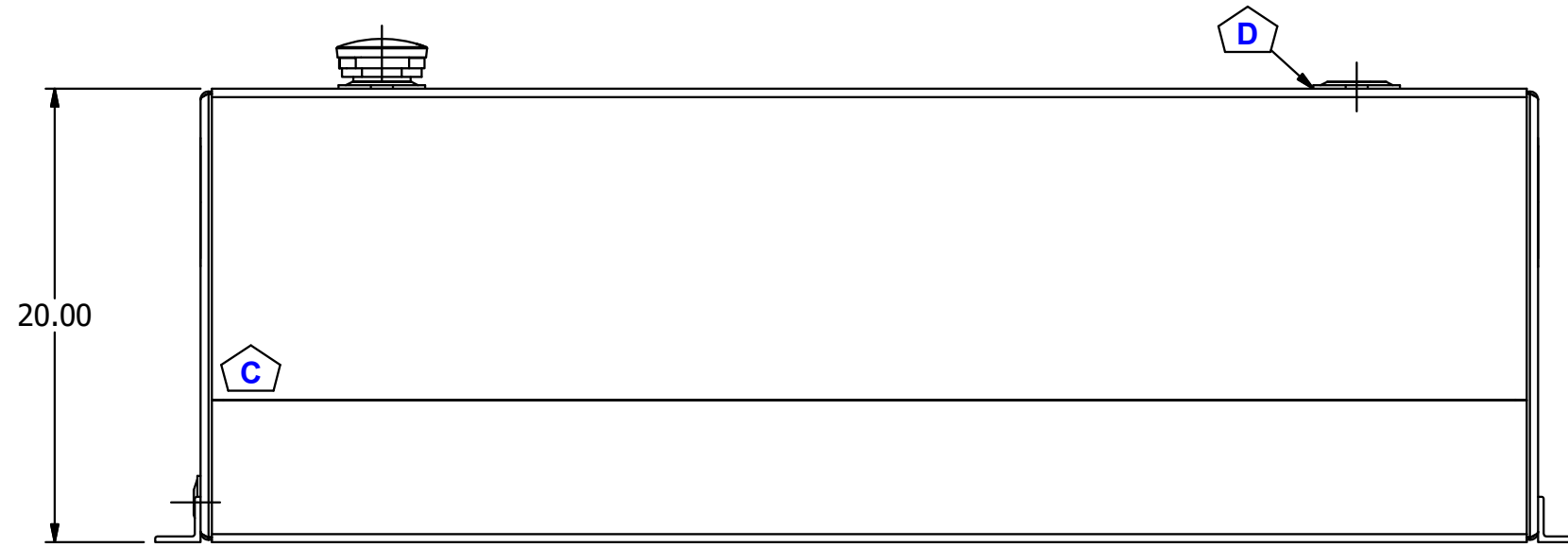
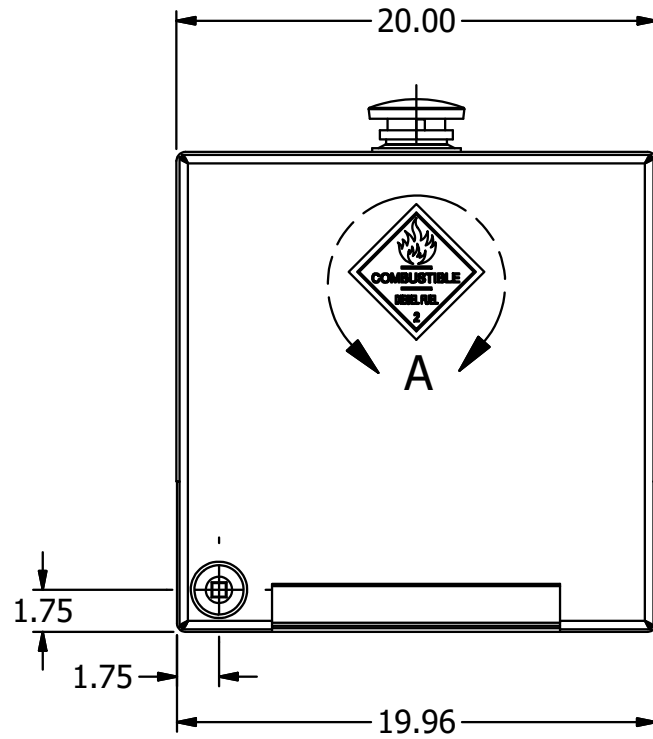
3

2

1



DETAIL A



DATE	SYM.	DESCRIPTION	BY
4-8-14	D	REPLACED 2" COUPLINGS AND DIFFUSERS	BPK
5-18-11	C	ADD MAT'L TO TOP TO COVER OFFSET	BPK

REVISIONS

AMERICAN MOBILE POWER PH: (800) 634-8265 FAX: (765) 948-3403	DRAWING BY: MRH	DESIGN FOR: AMP	FILE NAME: ATT31020	
	COMPLETED: 4/15/2002		SHEET: 2 of 11	SHEET SIZE: B

4

3

2

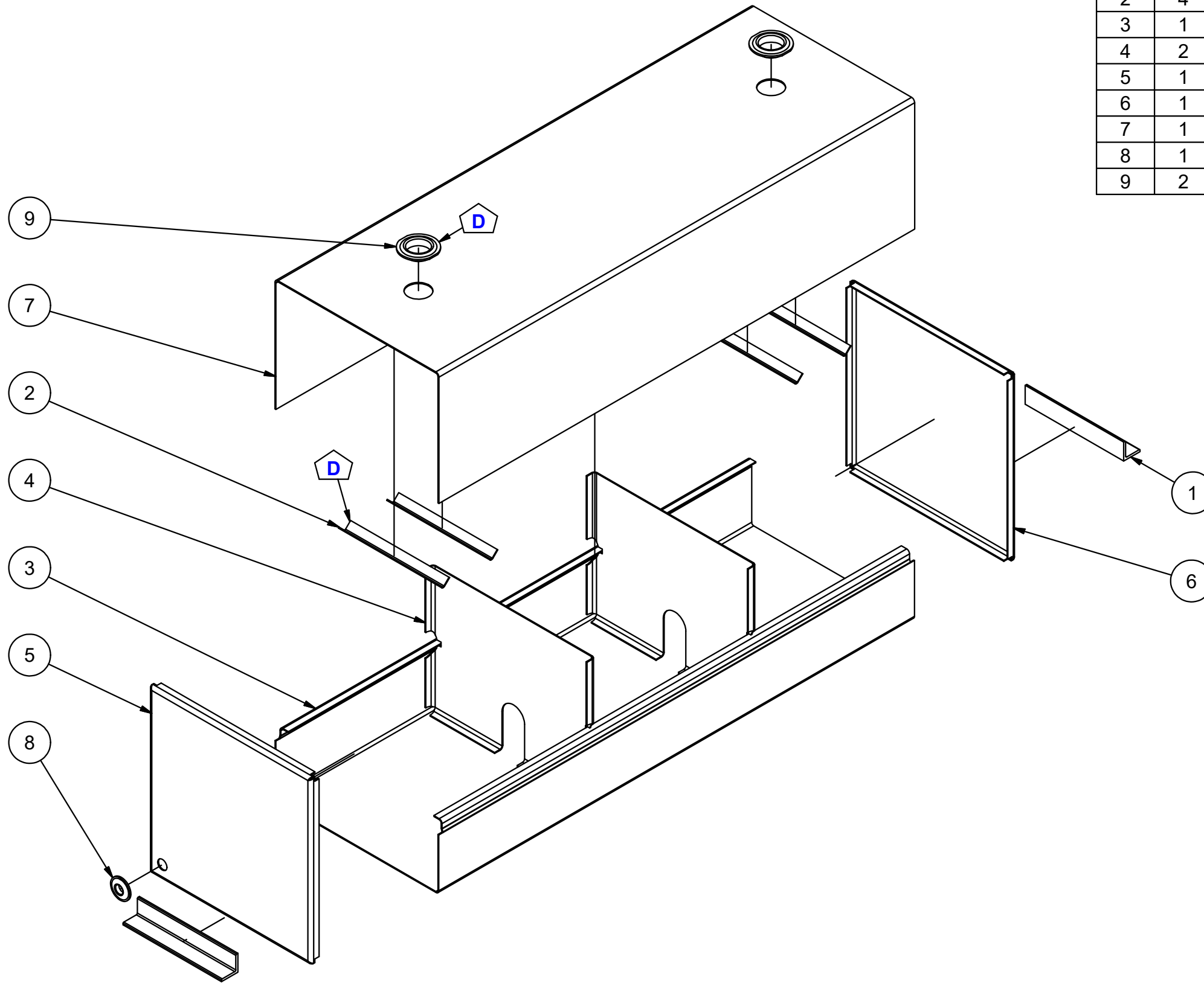
1

Parts List

ITEM	QTY	PART NUMBER	DESCRIPTION	Fab Qty
1	2	ANGLE-12IN	2 x 2 x 1/4 x 12 LG ANGLE	
2	4	ASTF12-3120	12 GA HRPO x 12 STIFFENER	
3	1	ATT31020B	12 GA HRPO BOTTOM SECTION	
4	2	ATT31020F	12 GA HRPO BAFFLE	
5	1	ATT31020L	12 GA HRPO LEFT HEAD	
6	1	ATT31020R	12 GA HRPO RIGHT HEAD	
7	1	ATT31020T	14 GA HR TREAD TOP SECTION	
8	1	SWF0750	3/4" NPTF STEEL WELD FLANGE	
9	2	SWF2000	2" NPSC STEEL WELD FLANGE	

B

B



A

A

DATE	SYM.	DESCRIPTION	BY
4-8-14	D	REPLACED 2" COUPLINGS AND DIFFUSERS	BPK

REVISIONS

AMERICAN MOBILE POWER PH: (800) 634-8265 FAX: (765) 948-3403	DRAWING BY: MRH	DESIGN FOR: AMP	FILE NAME: ATT31020	
	COMPLETED: 4/15/2002		SHEET: 3 of 11	SHEET SIZE: B

4

3

2

1