

4

3

2

1

Parts List

ITEM	QTY	PART NUMBER	DESCRIPTION
1	1	906001-4	2" NPT LOCKING VENTED DIESEL FILL CAP
2	1	APP0750-M	3/4" NPT MAG PLUG
3	2	DIESEL-2	4x4 RED/WHITE PEEL-N-STICK
4	1	N_ATT3075	NAM WELDMENT ~191 lbs

FILL CAP SHOWN FOR REFERENCE;
MAY BE INSTALLED IN EITHER PORT.

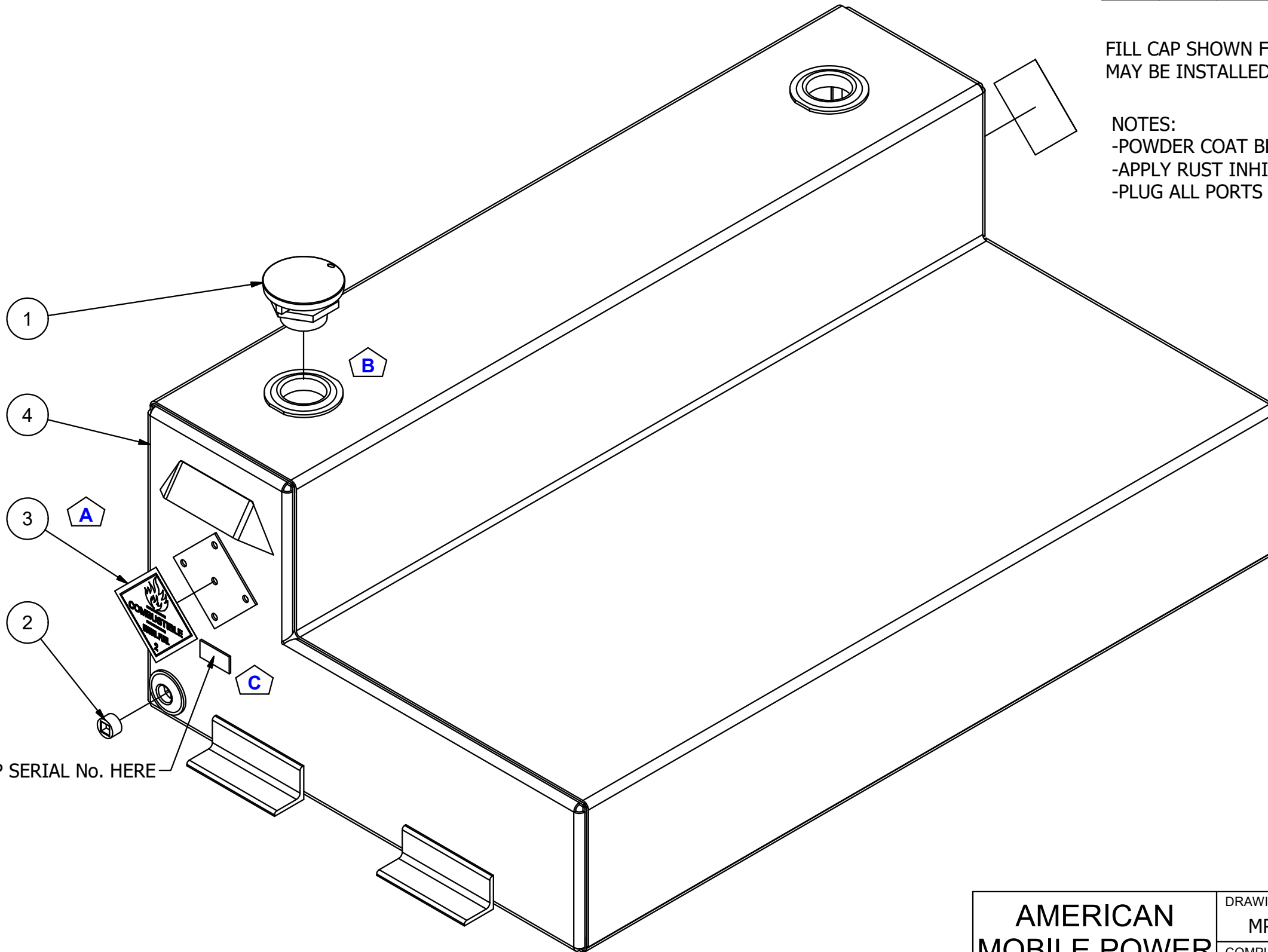
- NOTES:
 -POWDER COAT BLACK
 -APPLY RUST INHIBITOR INSIDE
 -PLUG ALL PORTS FOR SHIPMENT

B

B

A

A



STAMP SERIAL No. HERE

DATE	SYM.	DESCRIPTION	BY
9-13-18	C	ADDED S/N NOTE AND ATT3SNP	BPK
4-8-14	B	REPLACED 2" COUPLINGS AND DIFFUSERS	BPK
3-6-08	A	ADDED SHEET, CAP & STICKER	BPK

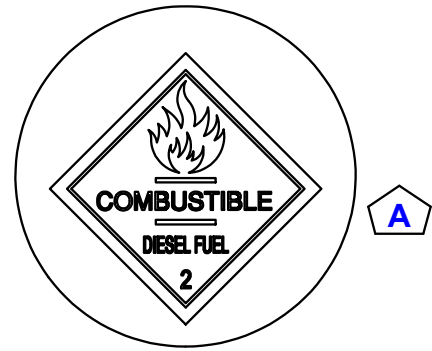
AMERICAN MOBILE POWER PH: (800) 634-8265 FAX: (765) 948-3403	DRAWING BY: MPB	DESIGN FOR: AMP	FILE NAME: ATT3075	
	COMPLETED: 11/10/2003		SHEET: 1 of 12	SHEET SIZE: B

4

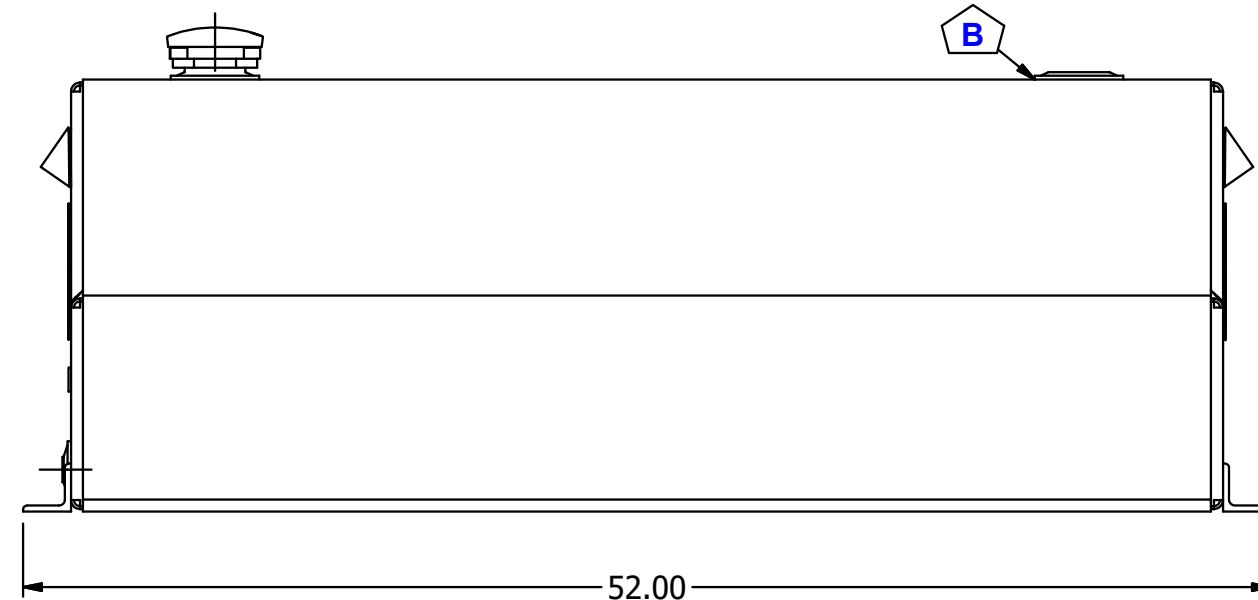
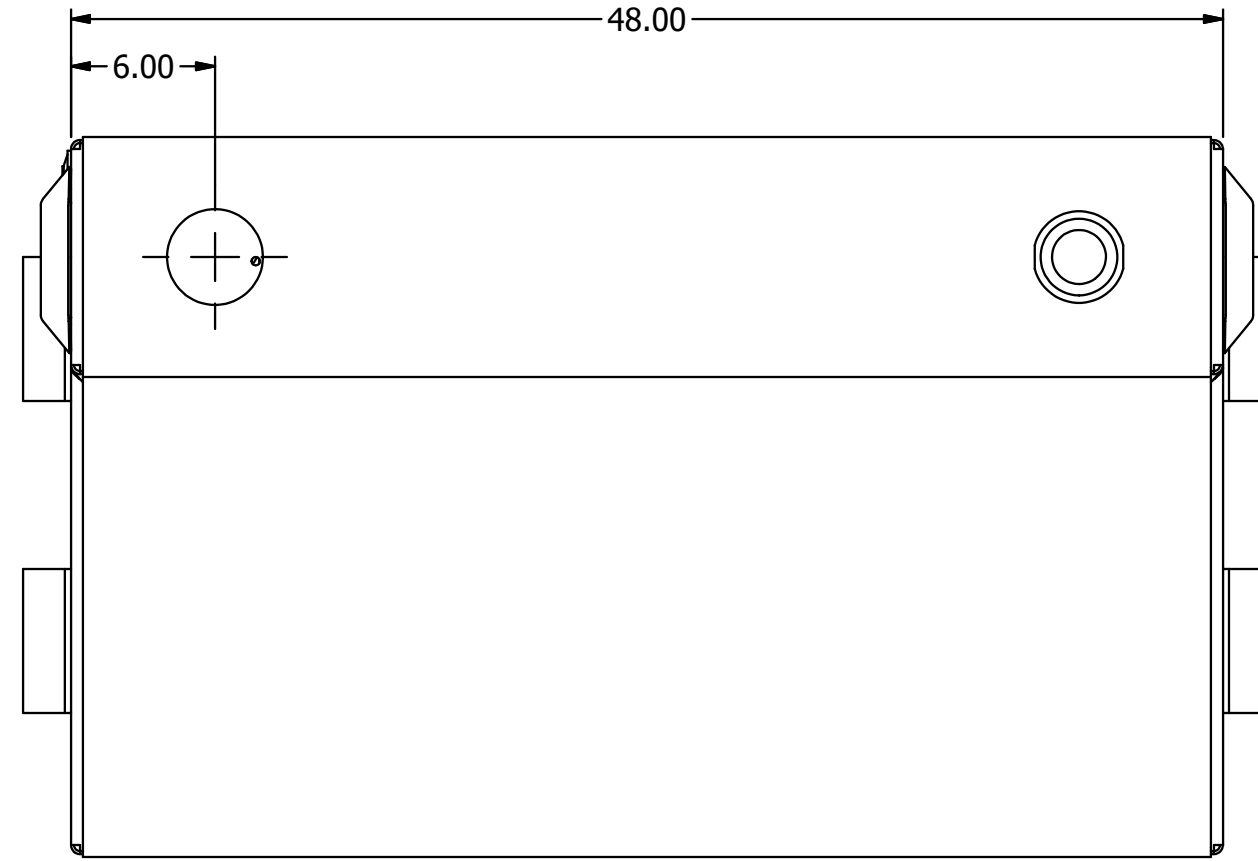
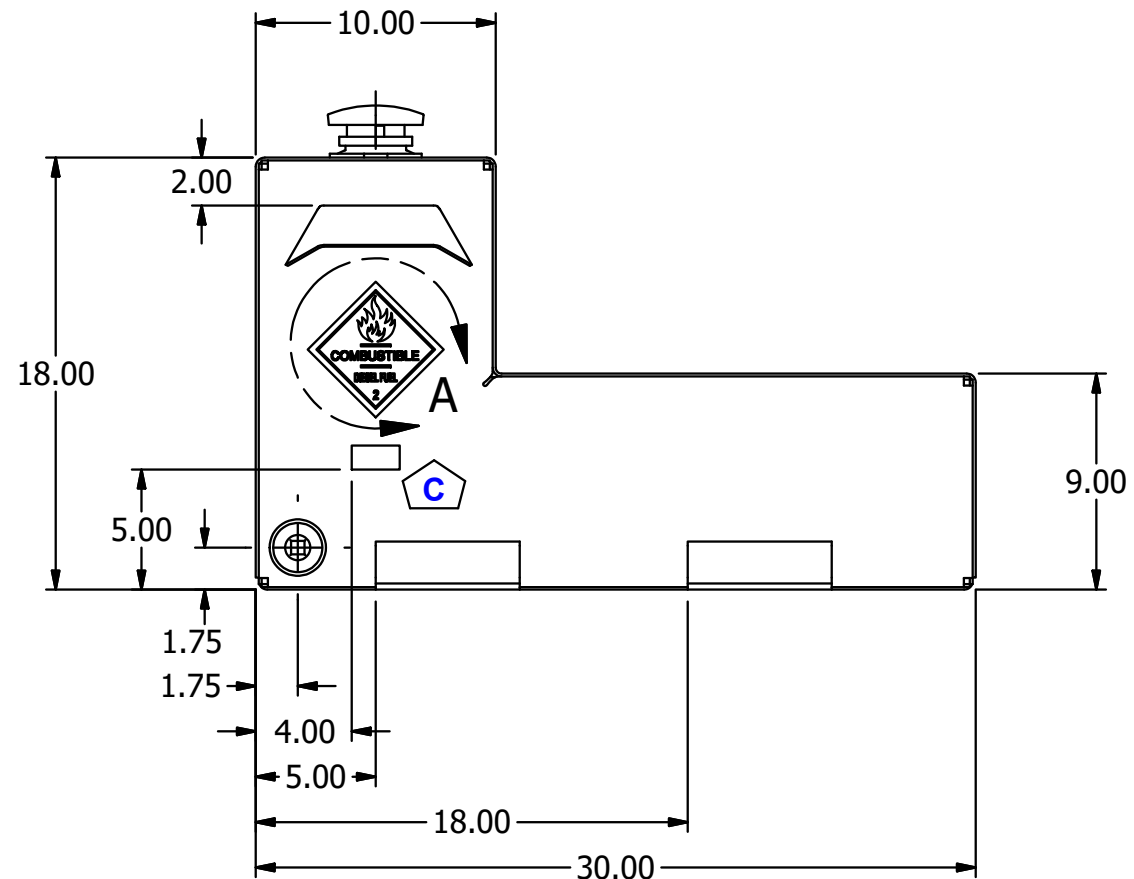
3

2

1

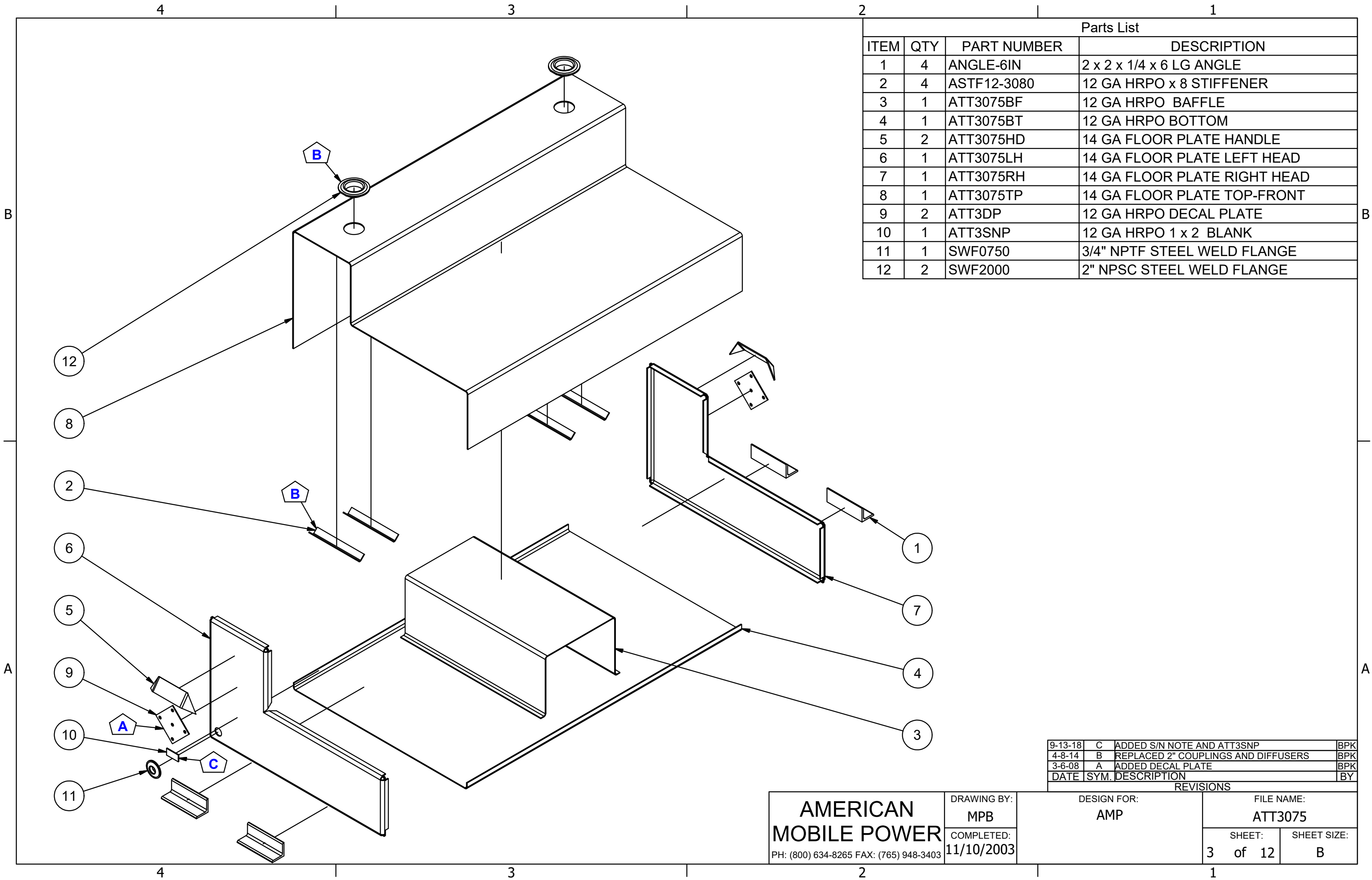


DETAIL A



REVISIONS			
DATE	SYM.	DESCRIPTION	BY
9-13-18	C	ADDED ATT3SNP	BPK
4-8-14	B	REPLACED 2" COUPLINGS AND DIFFUSERS	BPK
3-6-08	A	ADDED SHEET, CAP & STICKER	BPK

AMERICAN MOBILE POWER PH: (800) 634-8265 FAX: (765) 948-3403	DRAWING BY: MPB	DESIGN FOR: AMP	FILE NAME: ATT3075	
	COMPLETED: 11/10/2003		SHEET: 2 of 12	SHEET SIZE: B



Parts List			
ITEM	QTY	PART NUMBER	DESCRIPTION
1	4	ANGLE-6IN	2 x 2 x 1/4 x 6 LG ANGLE
2	4	ASTF12-3080	12 GA HRPO x 8 STIFFENER
3	1	ATT3075BF	12 GA HRPO BAFFLE
4	1	ATT3075BT	12 GA HRPO BOTTOM
5	2	ATT3075HD	14 GA FLOOR PLATE HANDLE
6	1	ATT3075LH	14 GA FLOOR PLATE LEFT HEAD
7	1	ATT3075RH	14 GA FLOOR PLATE RIGHT HEAD
8	1	ATT3075TP	14 GA FLOOR PLATE TOP-FRONT
9	2	ATT3DP	12 GA HRPO DECAL PLATE
10	1	ATT3SNP	12 GA HRPO 1 x 2 BLANK
11	1	SWF0750	3/4" NPTF STEEL WELD FLANGE
12	2	SWF2000	2" NPSC STEEL WELD FLANGE

REVISIONS			
DATE	SYM.	DESCRIPTION	BY
9-13-18	C	ADDED S/N NOTE AND ATT3SNP	BPK
4-8-14	B	REPLACED 2" COUPLINGS AND DIFFUSERS	BPK
3-6-08	A	ADDED DECAL PLATE	BPK

AMERICAN MOBILE POWER PH: (800) 634-8265 FAX: (765) 948-3403	DRAWING BY: MPB	DESIGN FOR: AMP	FILE NAME: ATT3075	
	COMPLETED: 11/10/2003		SHEET: 3 of 12	SHEET SIZE: B