

4

3

2

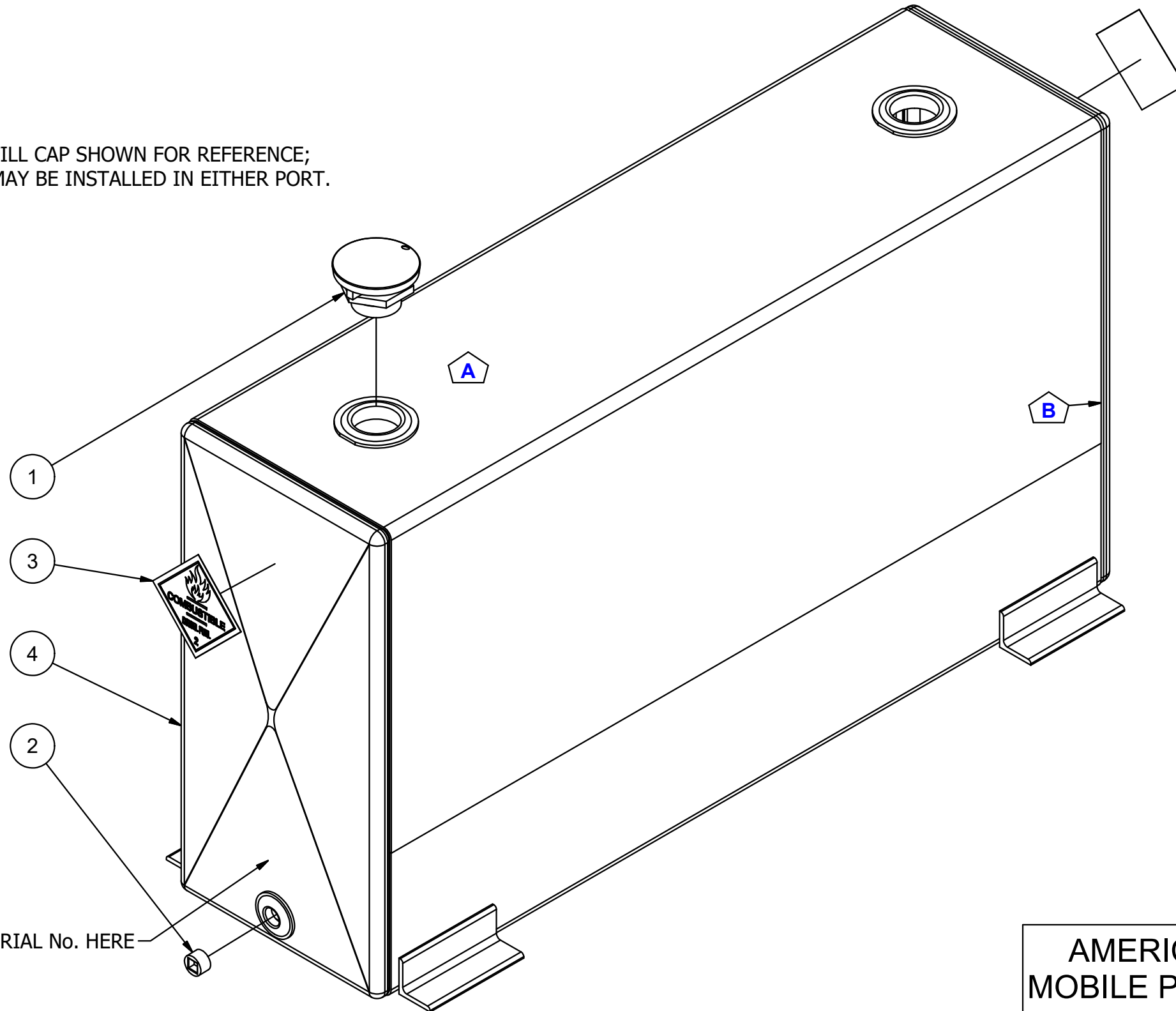
1

Parts List

ITEM	QTY	PART NUMBER	DESCRIPTION
1	1	906001-4	2" NPT LOCKING VENTED DIESEL FILL CAP
2	1	APP0750-M	3/4" NPT MAG PLUG
3	2	DIESEL-2	4x4 RED/WHITE PEEL-N-STICK
4	1	N_ATT3070	NAM ASSEMBLY ~160 lbs

NOTES:
 -POWDER COAT BLACK
 -APPLY RUST INHIBITOR INSIDE
 -PLUG ALL PORTS FOR SHIPMENT

FILL CAP SHOWN FOR REFERENCE;
 MAY BE INSTALLED IN EITHER PORT.



B

B

A

A

DATE	SYM.	DESCRIPTION	BY
9-13-18	N/A	ADDED S/N NOTE	BPK
10-15-15	B	SHEET LENGTH WAS 48	BPK
4-7-14	A	2) SHEET LENGTH WAS 45.50	BPK
4-7-14	A	1) REPLACED 2" COUPLINGS AND DIFFUSERS	BPK
6-4-07	N/A	ADD STICKER	BPK
REVISIONS			
11-7-06	N/A	SUPERSEDES MODEL ATT3070 DATED 1-17-2005	BPK

STAMP SERIAL No. HERE

AMERICAN MOBILE POWER PH: (800) 634-8265 FAX: (765) 948-3403	DRAWING BY: BPKNIGHT	DESIGN FOR: AMERICAN MOBILE POWER	FILE NAME: ATT3070
	COMPLETED: 11/7/2006		SHEET: 1 of 10
			SHEET SIZE: B

4

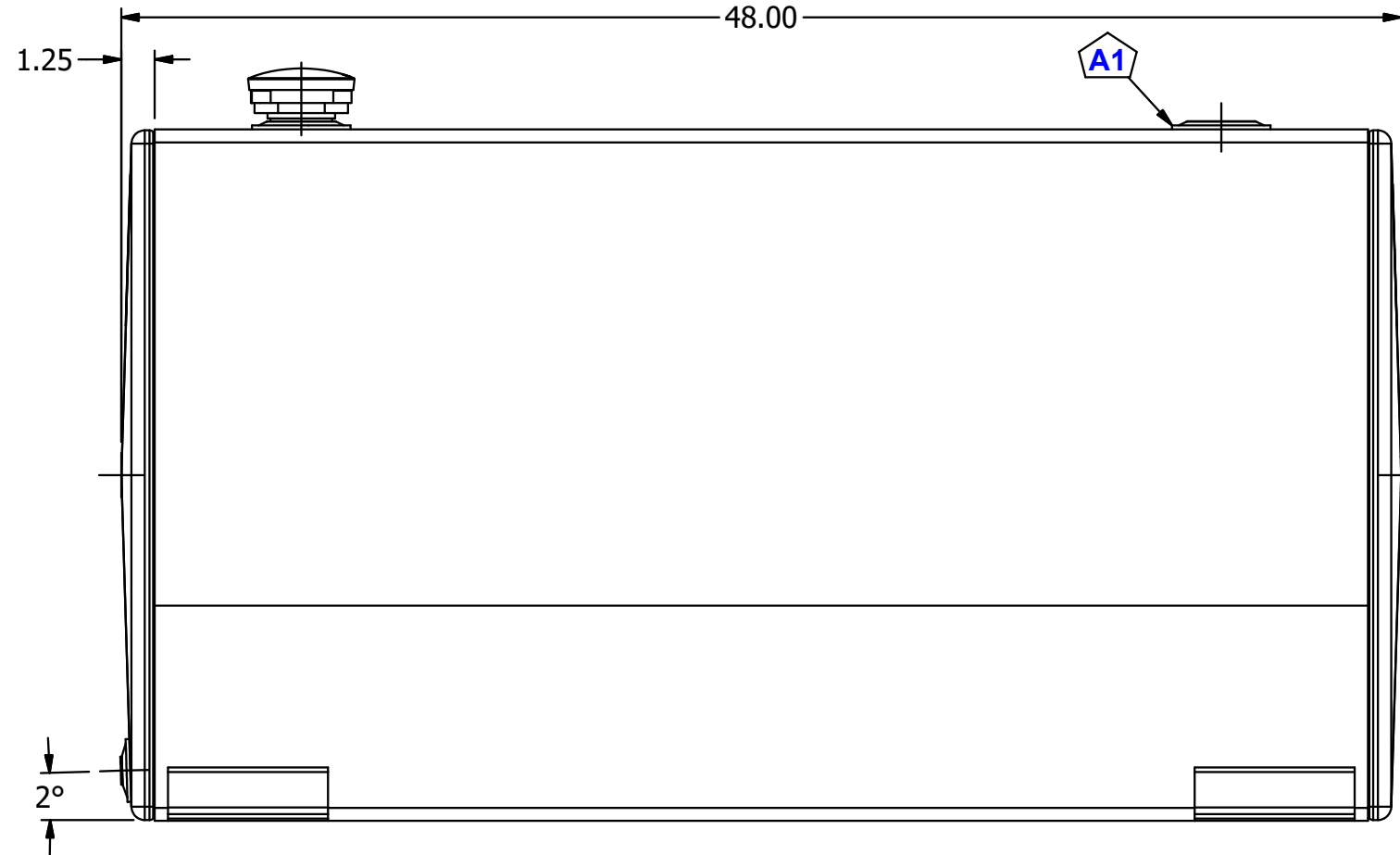
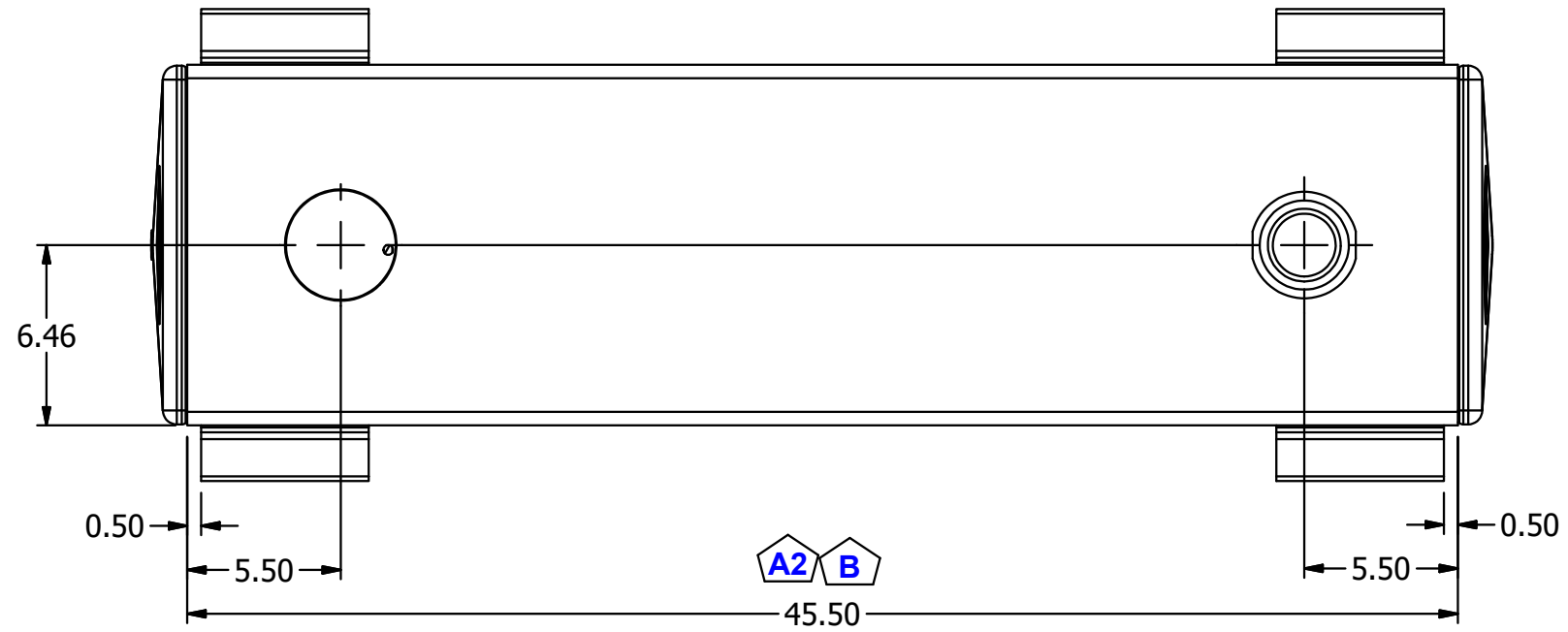
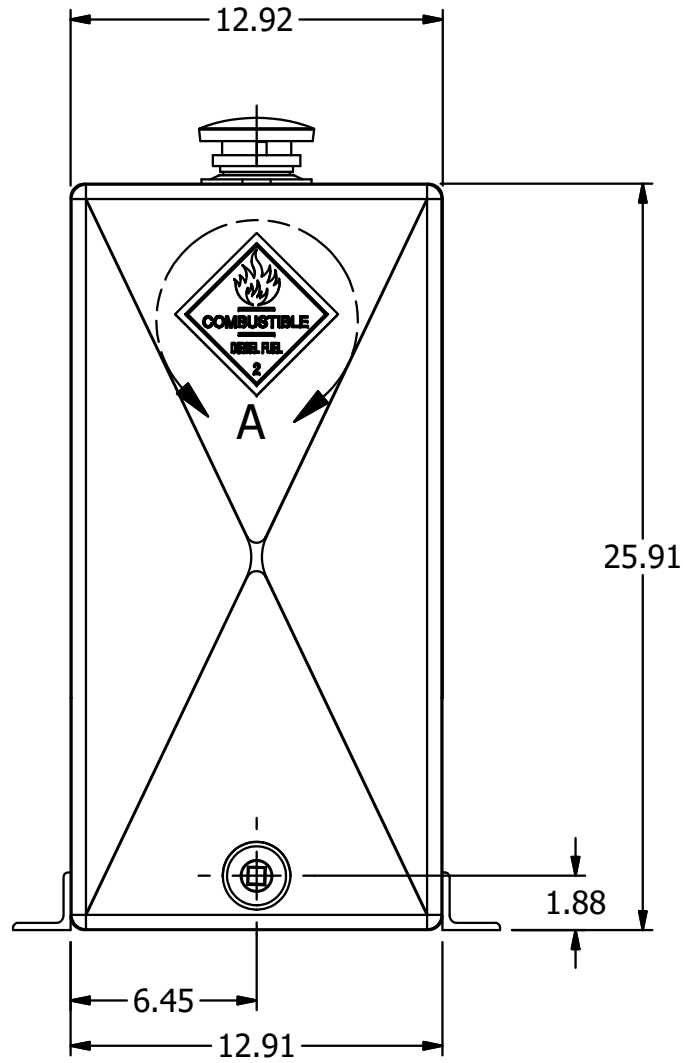
3

2

1



DETAIL A



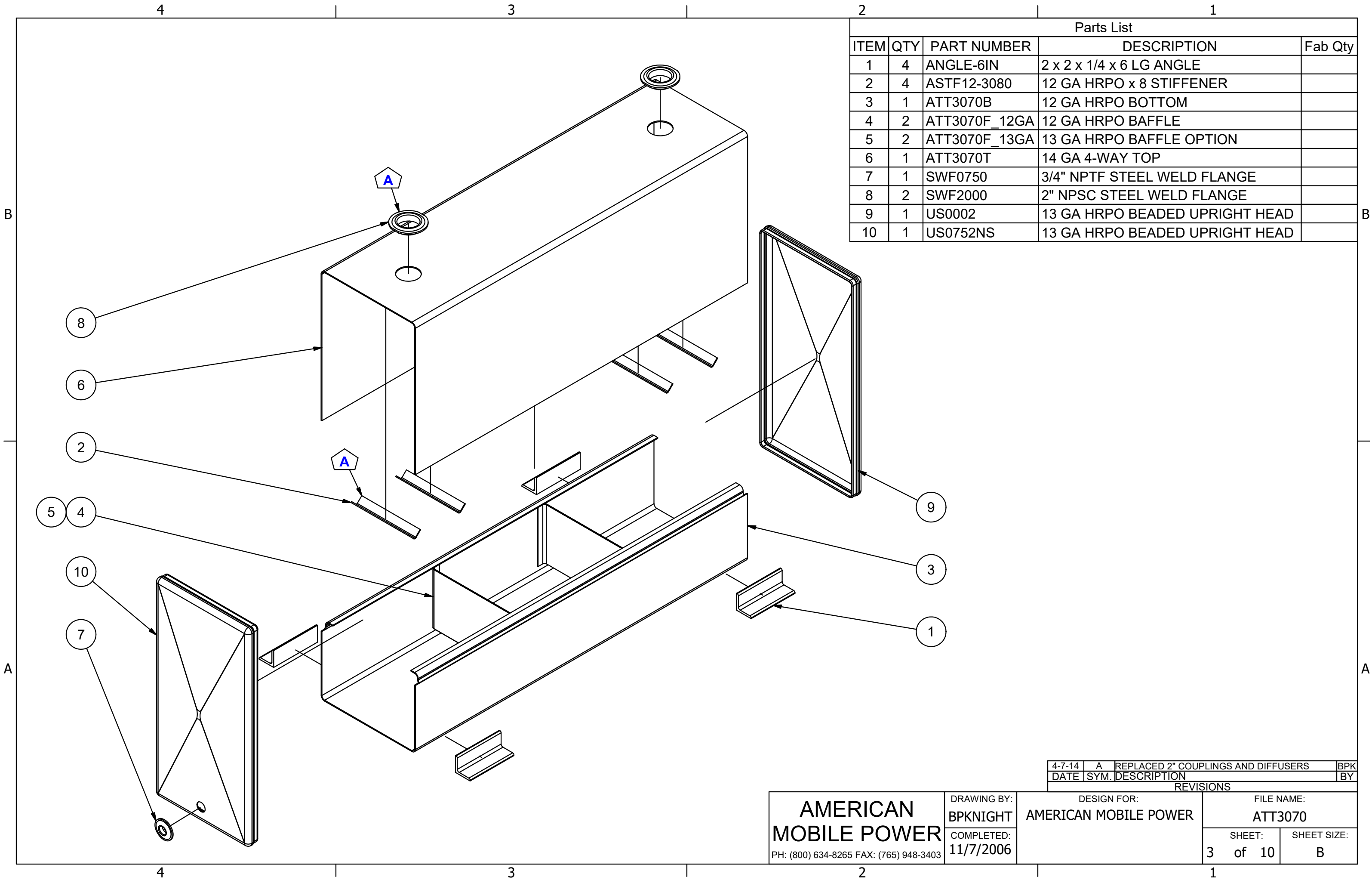
DATE	SYM.	DESCRIPTION	BY
10-15-13	B	SHEET LENGTH WAS 48	BPK
4-7-14	A	2) SHEET LENGTH WAS 45.50	BPK
4-7-14	A	1) REPLACED 2" COUPLINGS AND DIFFUSERS	BPK

AMERICAN MOBILE POWER
 PH: (800) 634-8265 FAX: (765) 948-3403

DRAWING BY:
BPKNIGHT
 COMPLETED:
11/7/2006

DESIGN FOR:
AMERICAN MOBILE POWER

FILE NAME:
ATT3070
 SHEET:
2 of 10
 SHEET SIZE:
B



Parts List				
ITEM	QTY	PART NUMBER	DESCRIPTION	Fab Qty
1	4	ANGLE-6IN	2 x 2 x 1/4 x 6 LG ANGLE	
2	4	ASTF12-3080	12 GA HRPO x 8 STIFFENER	
3	1	ATT3070B	12 GA HRPO BOTTOM	
4	2	ATT3070F_12GA	12 GA HRPO BAFFLE	
5	2	ATT3070F_13GA	13 GA HRPO BAFFLE OPTION	
6	1	ATT3070T	14 GA 4-WAY TOP	
7	1	SWF0750	3/4" NPTF STEEL WELD FLANGE	
8	2	SWF2000	2" NPSC STEEL WELD FLANGE	
9	1	US0002	13 GA HRPO BEADED UPRIGHT HEAD	
10	1	US0752NS	13 GA HRPO BEADED UPRIGHT HEAD	

DATE	SYM.	DESCRIPTION	BY
4-7-14	A	REPLACED 2" COUPLINGS AND DIFFUSERS	BPK

REVISIONS

AMERICAN MOBILE POWER PH: (800) 634-8265 FAX: (765) 948-3403	DRAWING BY: BPKNIGHT	DESIGN FOR: AMERICAN MOBILE POWER	FILE NAME: ATT3070	
	COMPLETED: 11/7/2006		SHEET: 3 of 10	SHEET SIZE: B