

4

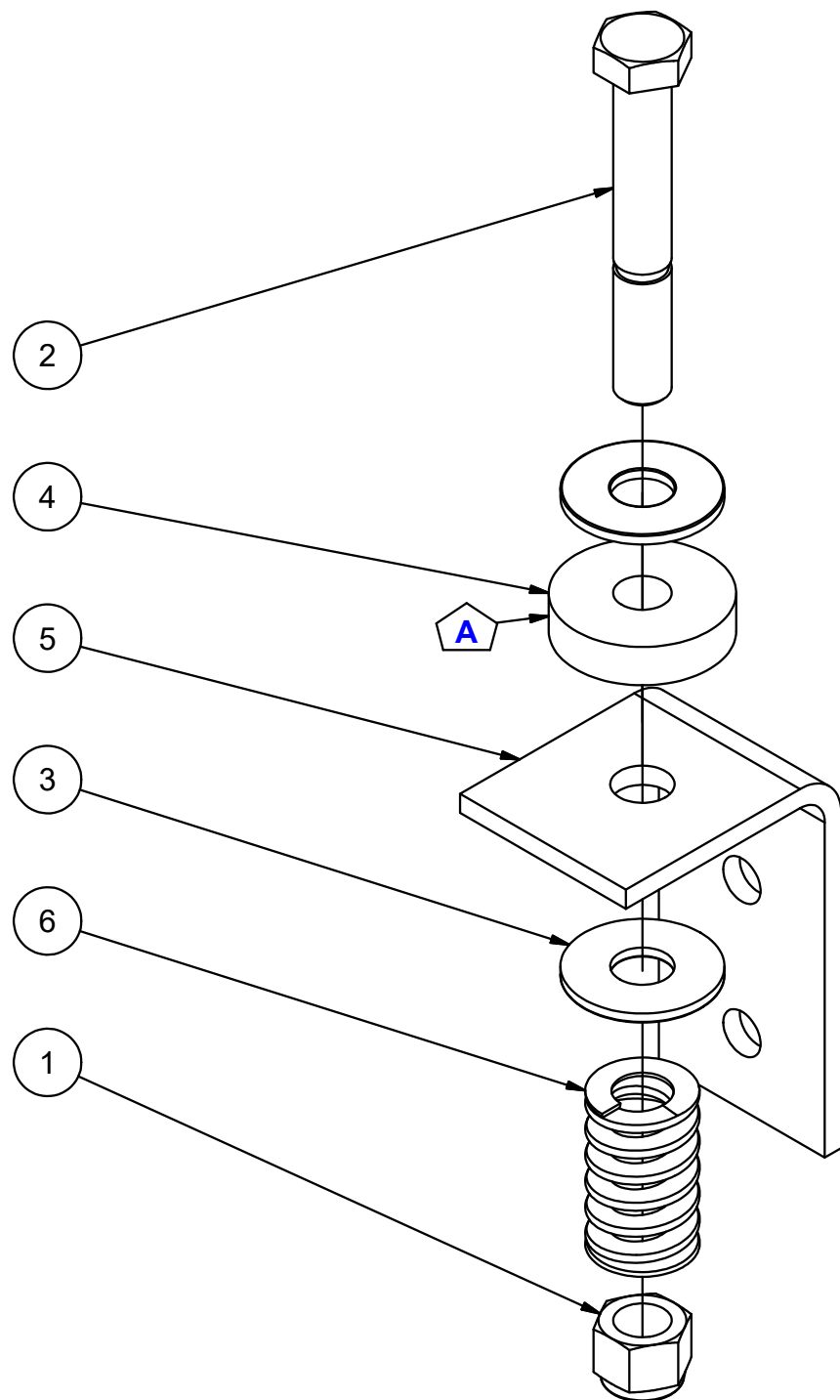
3

2

1

Parts List

ITEM	QTY	PART NUMBER	DESCRIPTION
1	1	37036	5/8 Std NC Nylock Nut
2	1	AMP-13320	5/8-11 x 4 1/4 HEX HEAD BOLT
3	2	AMP-33016	1 3/4 x 11/16 x 1/8 Thk Steel Plain Washer
4	1	AMP-58212	2" DIA. DOUGHNUT, 1/2" NEOPRENE RUBBER
5	1	ASK-200AN	.25 HRPO MOUNTING ANGLE
6	1	ASK-SPRING-HD	0300298 MED-DUTY BLUE SPRING 2"FL



B

B

A

A

10-24-18	A	PART NUMBER WAS ASK-200PAD	BPK
DATE	SYM.	DESCRIPTION	BY

REVISIONS

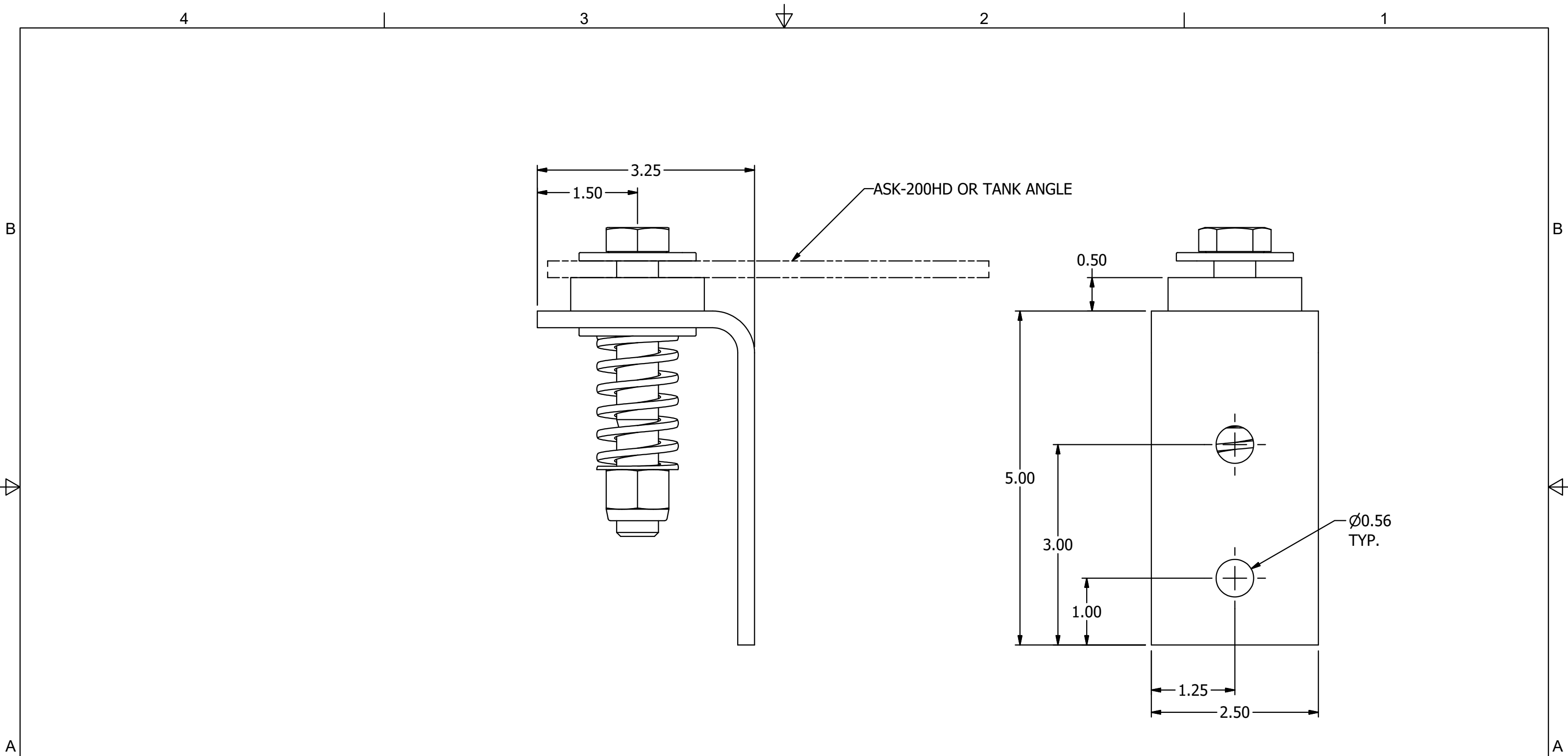
AMERICAN MOBILE POWER PH: (800) 634-8265 FAX: (765) 948-3403	DRAWING BY: bknight	DESIGN FOR: AMP	FILE NAME: ASK-210	
	COMPLETED: 2/18/2009		SHEET: 1 of 2	SHEET SIZE: B

4

3

2

1



AMERICAN MOBILE POWER <small>PH: (800) 634-8265 FAX: (765) 948-3403</small>	DRAWING BY: bknight	DESIGN FOR: AMP	FILE NAME: ASK-210	
	COMPLETED: 2/18/2009		SHEET: 2 of 2	SHEET SIZE: B