

4

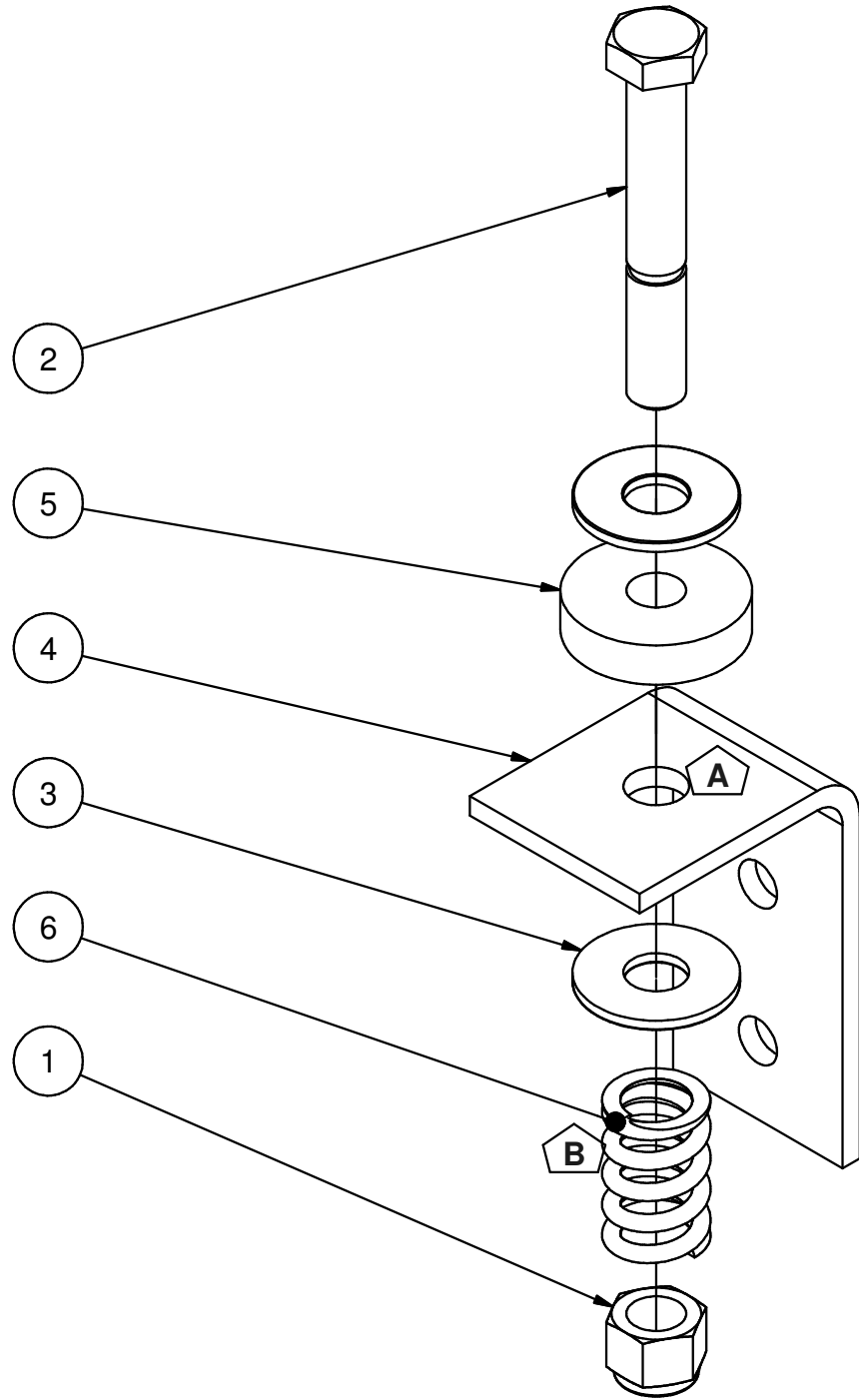
3

2

1

Parts List

ITEM	QTY	PART NUMBER	DESCRIPTION	Fab Qty
1	1	37036	5/8 Std NC Nylock Nut	
2	1	AMP-13320	5/8-11 x 4 1/4 HEX HEAD BOLT	
3	2	AMP-33016	1 3/4 x 11/16 x 1/8 Thk Steel Plain Washer	
4	1	ASK-200AN	.25 HRPO MOUNTING ANGLE	
5	1	ASK-200PAD	ASK-200 RUBBER DOUGHNUT, 1/2" NEOPRENE	
6	1	ASK-09830003	COMPRESSION SPRING, PLATED	



DATE	SYM.	DESCRIPTION	BY
3-19-12	B	CHANGED SPRING; SEE ARCHIVED PDF	BPK
1-22-08	A	MOVED BOLT HOLE 1/4 FROM BEND	BPK

REVISIONS

AMERICAN MOBILE POWER PH: (800) 634-8265 FAX: (765) 948-3403	DRAWING BY: bknight	DESIGN FOR: AMP	FILE NAME: ASK-200	
	COMPLETED: 10/3/2006		SHEET: 1 of 5	SHEET SIZE: B

4

3

2

1

B

B

A

A

4

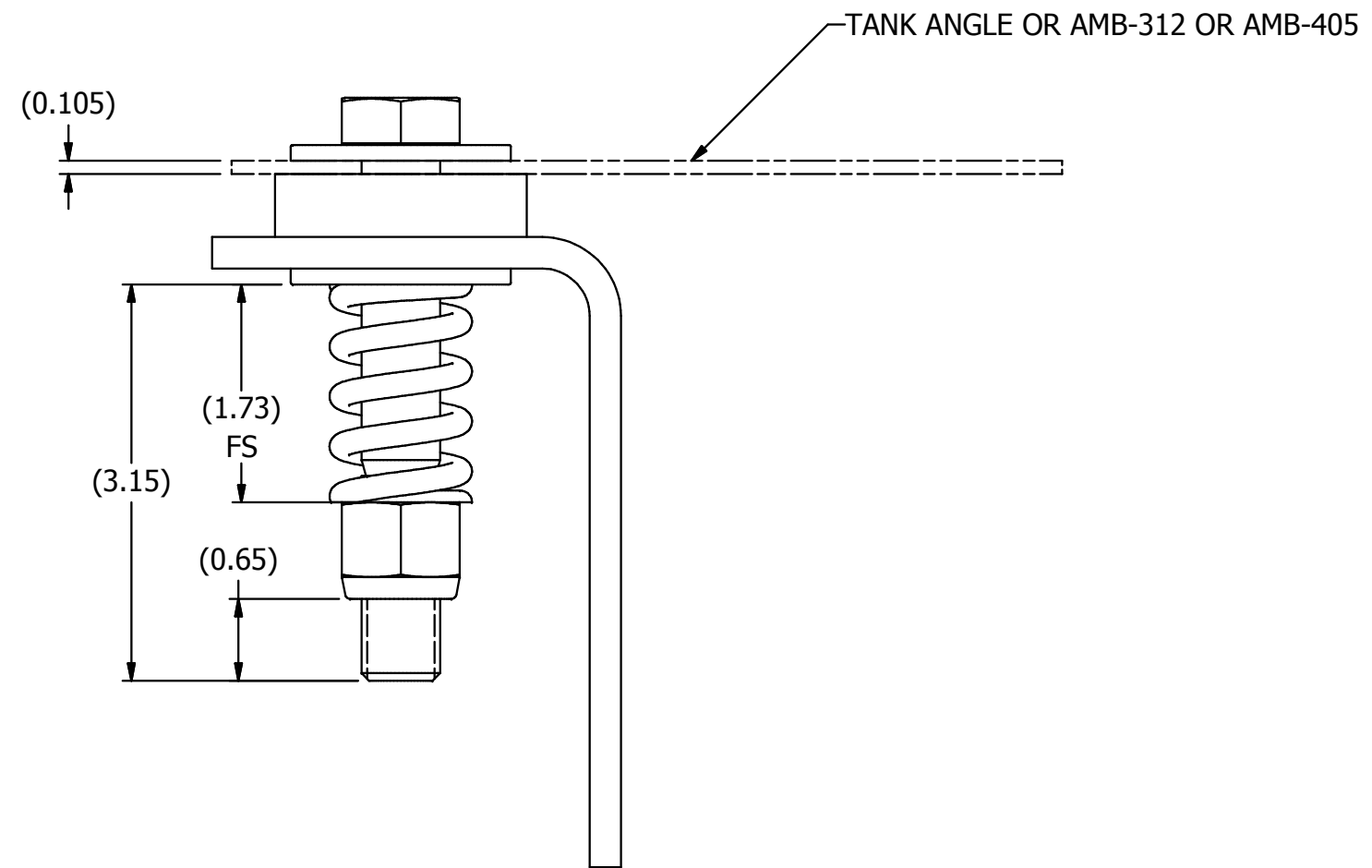
3

2

1

B

B



A

A

AMERICAN MOBILE POWER <small>PH: (800) 634-8265 FAX: (765) 948-3403</small>	DRAWING BY: bknight	DESIGN FOR: AMP	FILE NAME: ASK-200	
	COMPLETED: 10/3/2006		SHEET: 2 of 5	SHEET SIZE: B

4

3

2

1