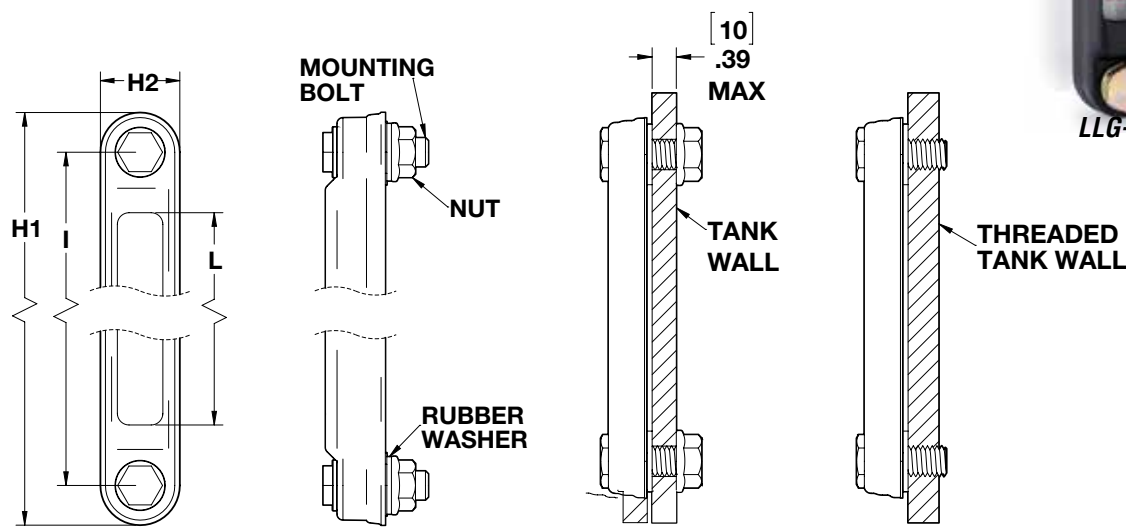




Sight Level Gauge LLG & T-LLG-10

Specifications

- Polycarbonite Tube Oil Level Indicator with guard
- Steel guard with black finish
- Maximum Operating Temperature 212°F (100°C)
- Compatible with petroleum based fluids
- 1/2-13 UNC or (12 mm) bolt threads available
- Maximum pressure 15 PSI (1 Bar)
- Nitrile seal
- T-LLG includes standard red thermometer or optional blue thermometer is available



Dimensional Detail

Model		I	H1	H2	L	Mounting L1	Hole	Mounting Bolt	Wall Center	Bolt Thickness	Torque
LLG-10, T-LLG-10	in.	10"	11.1"	1.3"	7"	N/A	.50-.53	(1/2-13) x1.75"	9.98-10.01	0.4	4 FT-LBS
	mm	254	282	33	178	N/A	12.6-12.9	(M12-1.75) x1.65"	253.7-254.3	10	5 NM

Ordering Code

T - LLG - 10 - *

Thermometer		Series	Size	Options	
Omit	Level	LLG	10	Omit	No Options
T	Red Therm			M12	M12 Bolt
BT	Blue Therm			V	Viton Seals
				LB	1/2-13 x 2" Bolt
				RB	Reflecting Ball
				M12SS	303 SS Bolt, Nut

ASSEMBLING INSTRUCTIONS

- Method A:** Tank has to have two drilled and tapped holes in either M12 or 1/2-13 UNC and can be fastened from outside into the threaded holes
- Method B:** Two holes must be drilled (12.2 mm on M12, 12.6 mm on 1/2-13 UNC) and the level gauge fastened with two hex nuts from the inside of the tank Tolerance on center-to-center distance: 0.3 mm, tolerance on the drilled holes 0.2 mm
- Max tightening torque suggested 4 Ft-Lbs / 5 Nm

See website technical bulletin TB.TA06.708, TB.TA09.708, TB.TA12.708 and TB.TA15.708 and for further information at (Technical Data - www.lenzinc.com).