

4

3

2

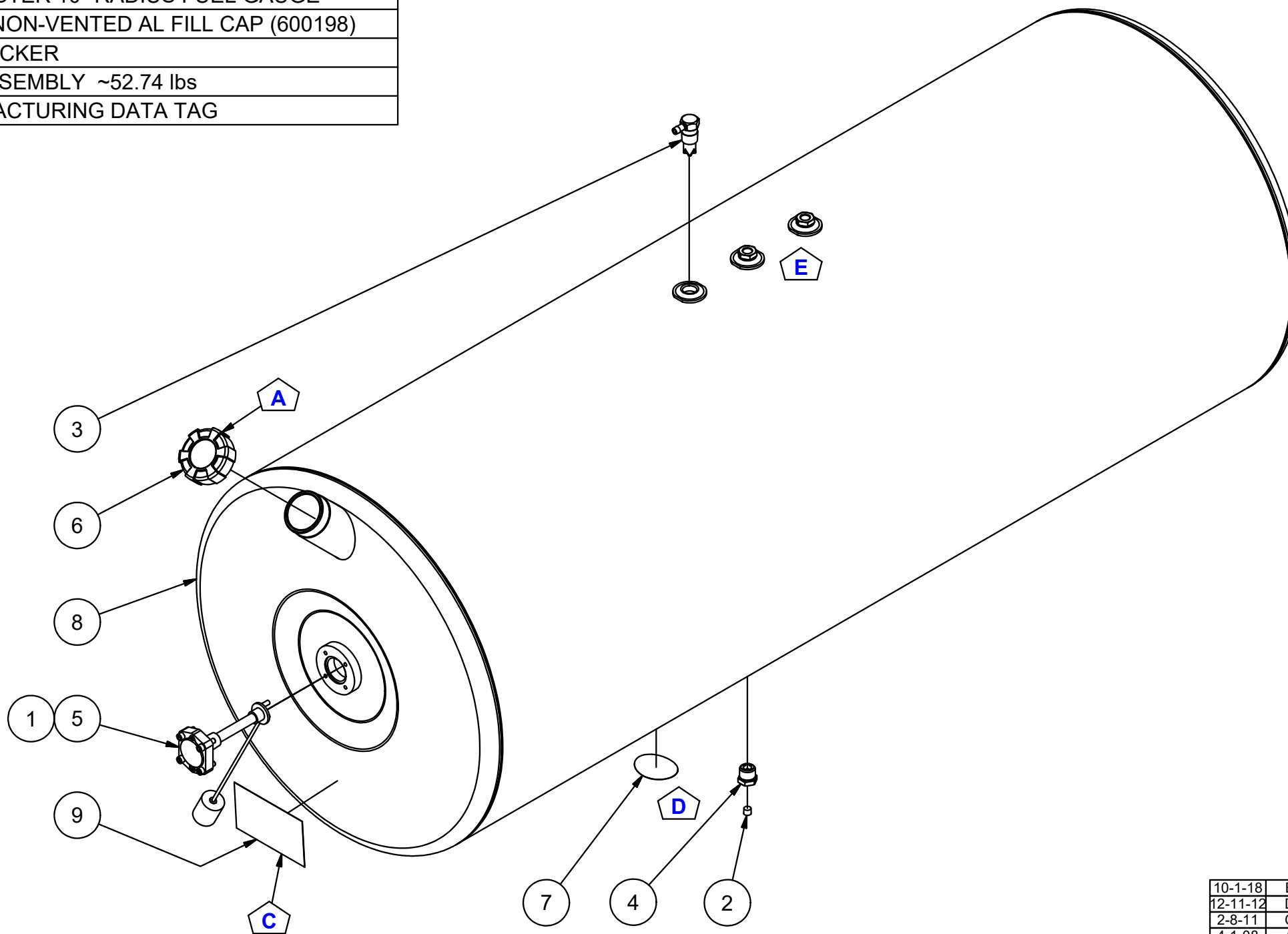
1

Parts List

| ITEM | QTY | PART NUMBER | DESCRIPTION |
|------|-----|--------------|--|
| 1 | 4 | 23204 | SHCS 1_4-20 UNC x 0.875 |
| 2 | 1 | APP0125 | 1/8" NPT PLUG |
| 3 | 1 | ASV-0500 | 1/2" NPT DIESEL ANTI-SPILL VENT (060064) |
| 4 | 1 | BCV-0500 | 1/2" NPT - 1/8" NPT Brass/Steel Ball Check Valve |
| 5 | 1 | FGA-2200 | ROCHESTER 10" RADIUS FUEL GAUGE |
| 6 | 1 | FNC-2000 | 2"-11.5 NON-VENTED AL FILL CAP (600198) |
| 7 | 1 | MA-1_R11 | USA STICKER |
| 8 | 1 | N_AR22100 | NAM ASSEMBLY ~52.74 lbs |
| 9 | 1 | REEFER TAG_1 | MANUFACTURING DATA TAG |

AMP PARTS INCLUDE:
 -RMK-822-S MOUNTING KIT

NOTE:
 -PLUG ALL PORTS FOR SHIPMENT



WT: ~53.86 lbs

| DATE | SYM. | DESCRIPTION | BY |
|----------|------|---------------------------------|-----|
| 10-1-18 | E | MOVED PICKUP TUBES TO NAM ASS'Y | BPK |
| 12-11-12 | D | ADDED PLUG & STICKER TO MODEL | BPK |
| 2-8-11 | C | ADDED MFG TAG | BPK |
| 4-1-08 | A | FILL CAP WAS #600133 | BPK |

| | | | | |
|--|--------------------------------|---------------------------|------------------------------|-------------------------|
| AMERICAN MOBILE POWER PH: (800) 634-8265 FAX: (765) 948-3403 | DRAWING BY: BPKNIGHT | DESIGN FOR: AMP | FILE NAME: AR22100 | |
| | COMPLETED: 8/10/2005 | | SHEET: 1 of 5 | SHEET SIZE: B |

4

3

2

1

A

A

B

B

4

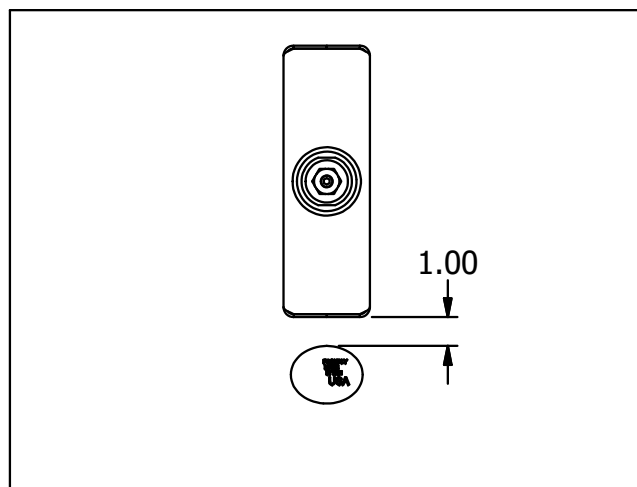
3

2

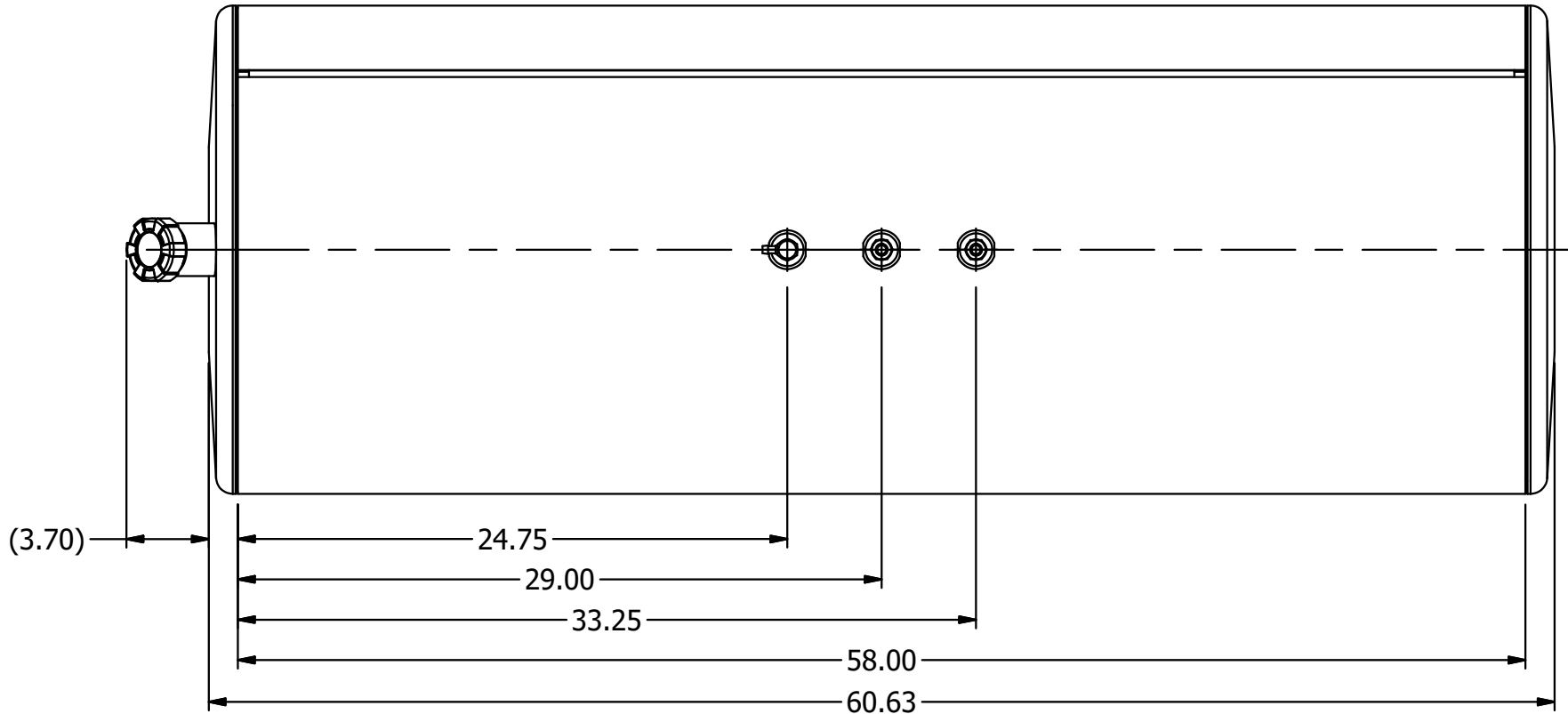
1

B

B

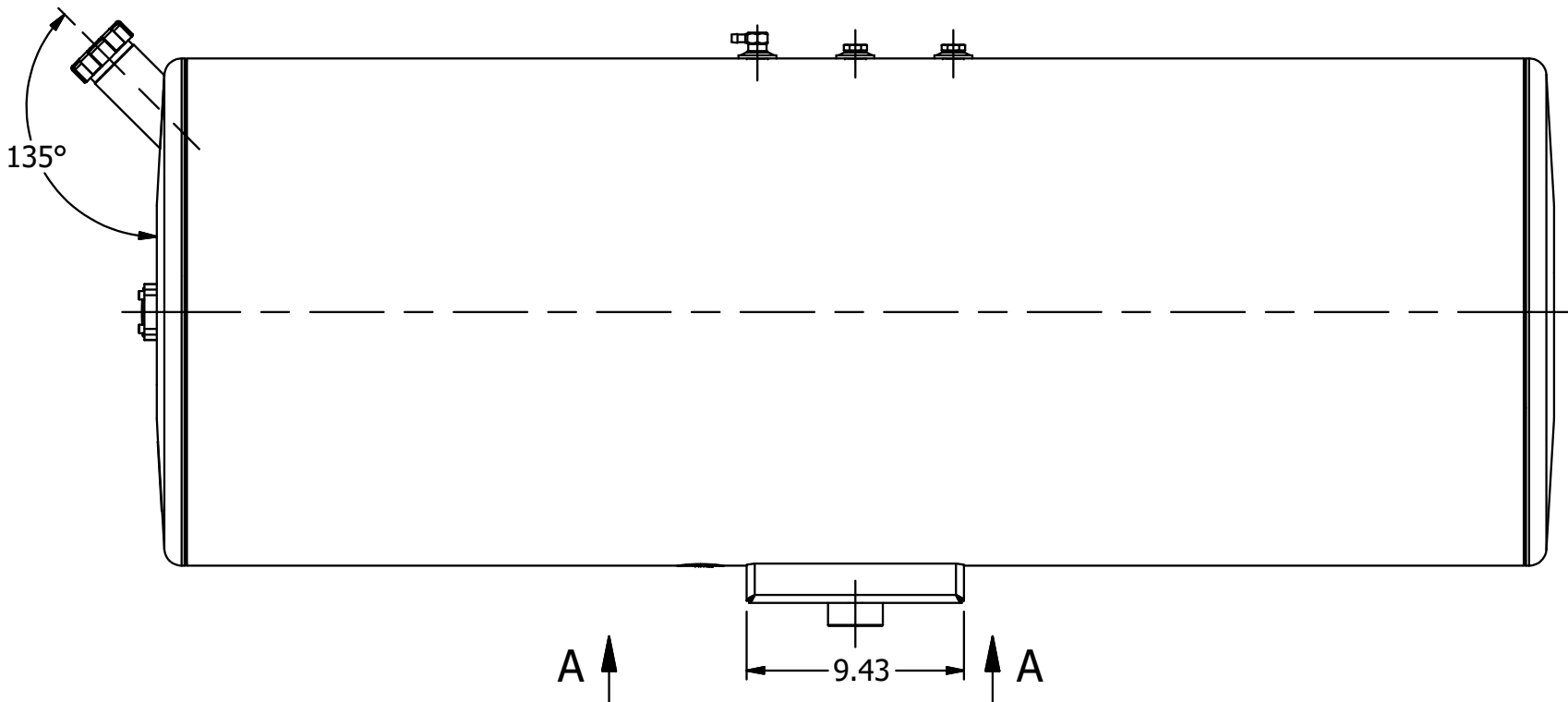
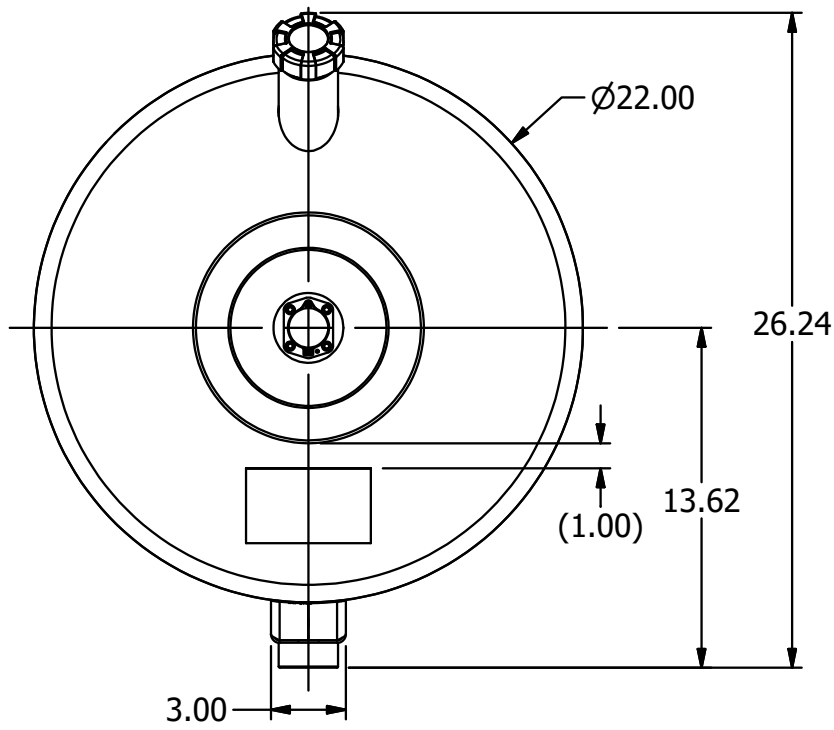


VIEW A-A



A

A



| | | | | |
|---|--|-----------------------------------|--------------------------------------|---------------------------------|
| AMERICAN MOBILE POWER <small>PH: (800) 634-8265 FAX: (765) 948-3403</small> | <small>DRAWING BY:</small> BPKNIGHT | <small>DESIGN FOR:</small> AMP | <small>FILE NAME:</small> AR22100 | |
| | <small>COMPLETED:</small> 8/10/2005 | | <small>SHEET:</small> 2 of 5 | <small>SHEET SIZE:</small> B |

4

3

2

1

4

3

2

1

Parts List

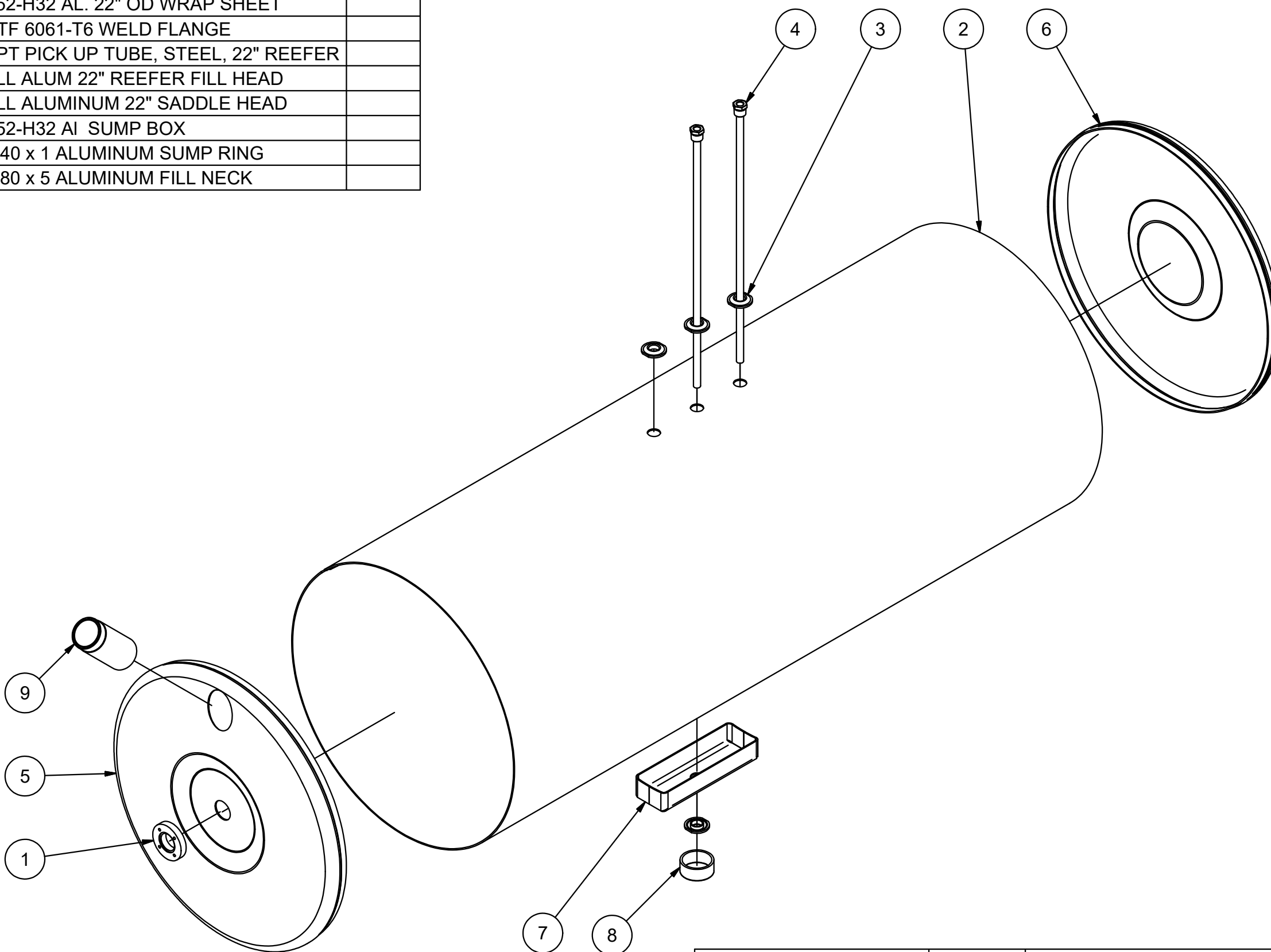
| ITEM | QTY | PART NUMBER | DESCRIPTION | Fab Qty |
|------|-----|-------------|---|---------|
| 1 | 1 | AGF-8175 | ALUMINUM GAUGE MOUNTING RING | |
| 2 | 1 | AR22100WS | .100 5052-H32 AL. 22" OD WRAP SHEET | |
| 3 | 4 | AWF0500 | 1/2" NPTF 6061-T6 WELD FLANGE | |
| 4 | 2 | PRT-2200 | 1/4" FNPT PICK UP TUBE, STEEL, 22" REEFER | |
| 5 | 1 | RA0000FL | .100 MILL ALUM 22" REEFER FILL HEAD | |
| 6 | 1 | RA0000NF | .100 MILL ALUMINUM 22" SADDLE HEAD | |
| 7 | 1 | RA0000SB | .100 5052-H32 AI SUMP BOX | |
| 8 | 1 | RA0000SR | 2" SCH 40 x 1 ALUMINUM SUMP RING | |
| 9 | 1 | RA2000FN | 2" SCH 80 x 5 ALUMINUM FILL NECK | |

B

B

A

A



| | | | | |
|---|--------------------------------|---------------------------|------------------------------|-------------------------|
| AMERICAN MOBILE POWER <small>PH: (800) 634-8265 FAX: (765) 948-3403</small> | DRAWING BY: BPKNIGHT | DESIGN FOR: AMP | FILE NAME: AR22100 | |
| | COMPLETED: 8/10/2005 | | SHEET: 3 of 5 | SHEET SIZE: B |

4

3

2

1