

4

3

2

1

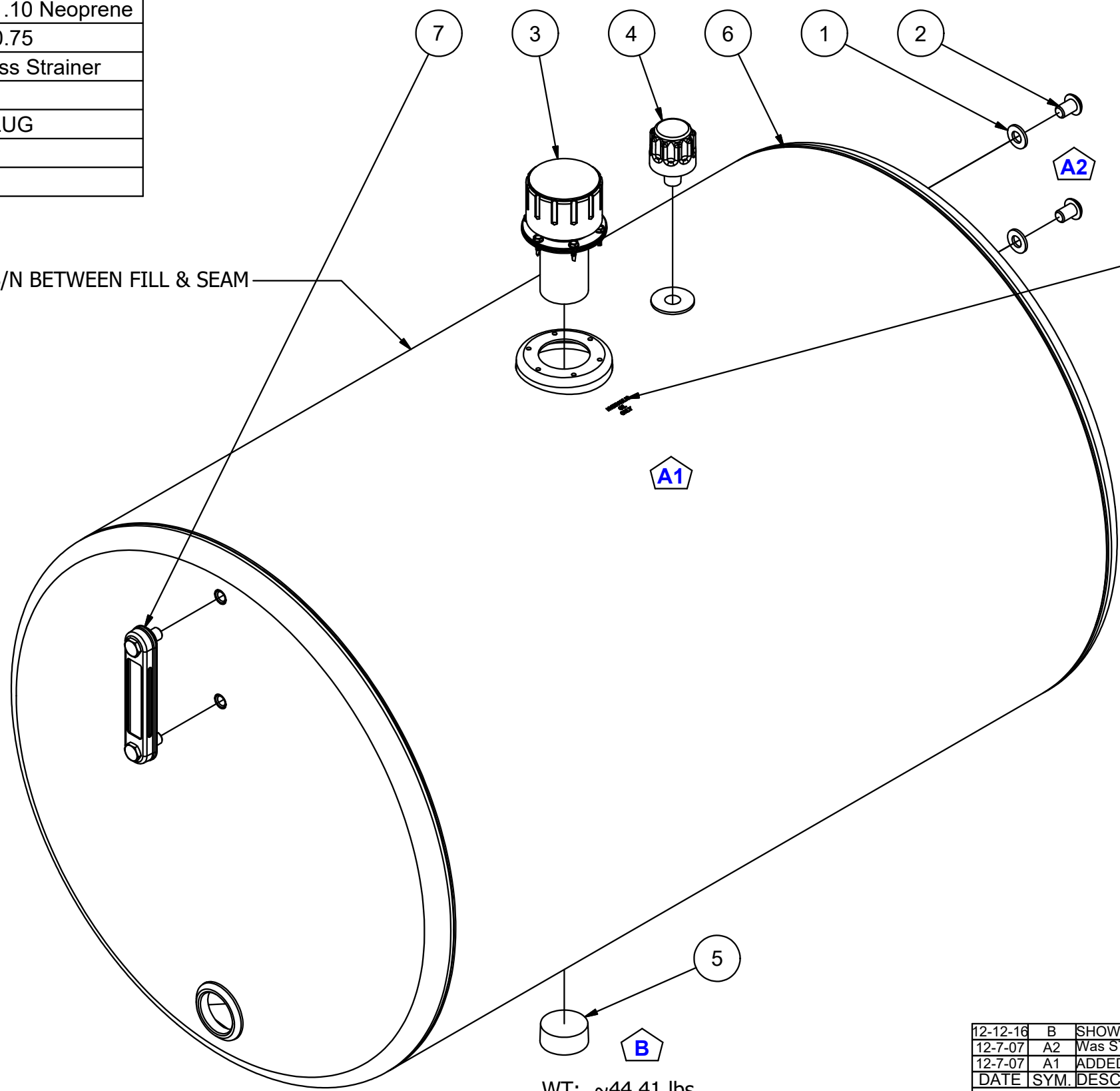
Parts List			
ITEM	QTY	PART NUMBER	DESCRIPTION
1	2	0500BBS	Black Buffer Seal 1.0 OD x .5 ID x .10 Neoprene
2	2	24107	Button Head, Hex, 1/2-13 UNC x 0.75
3	1	57XL-40	40 Micron FILL w/30 Mesh Stainless Strainer
4	1	ABA-138	3/8" NPT VENT
5	1	APP1500	1 1/2" NPT SQUARE SOCKET PLUG
6	1	N_A4575-ST	NAM WELDMENT ~42.67 lbs
7	1	T-LLG-5	SIGHT/TEMP. GAUGE, 5"

B AMP PARTS INCLUDE:
 -AMK-624-C/3 MOUNTING KIT (STD) OR -S (UPGRADE)

NOTE:
 -PLUG ALL PORTS FOR SHIPMENT

S/N BETWEEN FILL & SEAM

HYDRAULIC OIL ONLY



WT: ~44.41 lbs

DATE	SYM.	DESCRIPTION	BY
12-12-16	B	SHOW PLUG & WT:	BPK
12-7-07	A2	Was STL FLT Washer, O-Ring, HHCS	BPK
12-7-07	A1	ADDED "HYDRAULIC OIL ONLY" STAMP	BPK

AMERICAN MOBILE POWER PH: (800) 634-8265 FAX: (765) 948-3403	DRAWING BY: BPKNIGHT	DESIGN FOR: A.M.P.	FILE NAME: A4575-ST	
	COMPLETED: 6/8/2007		SHEET: 1 of 5	SHEET SIZE: B

4

3

2

1

A

A

4

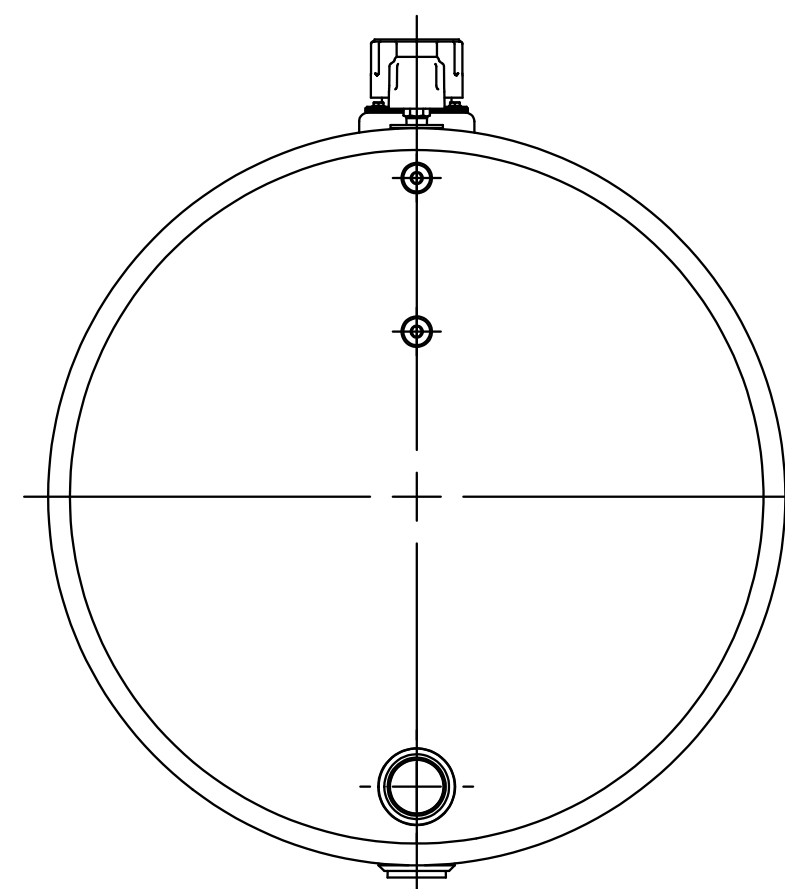
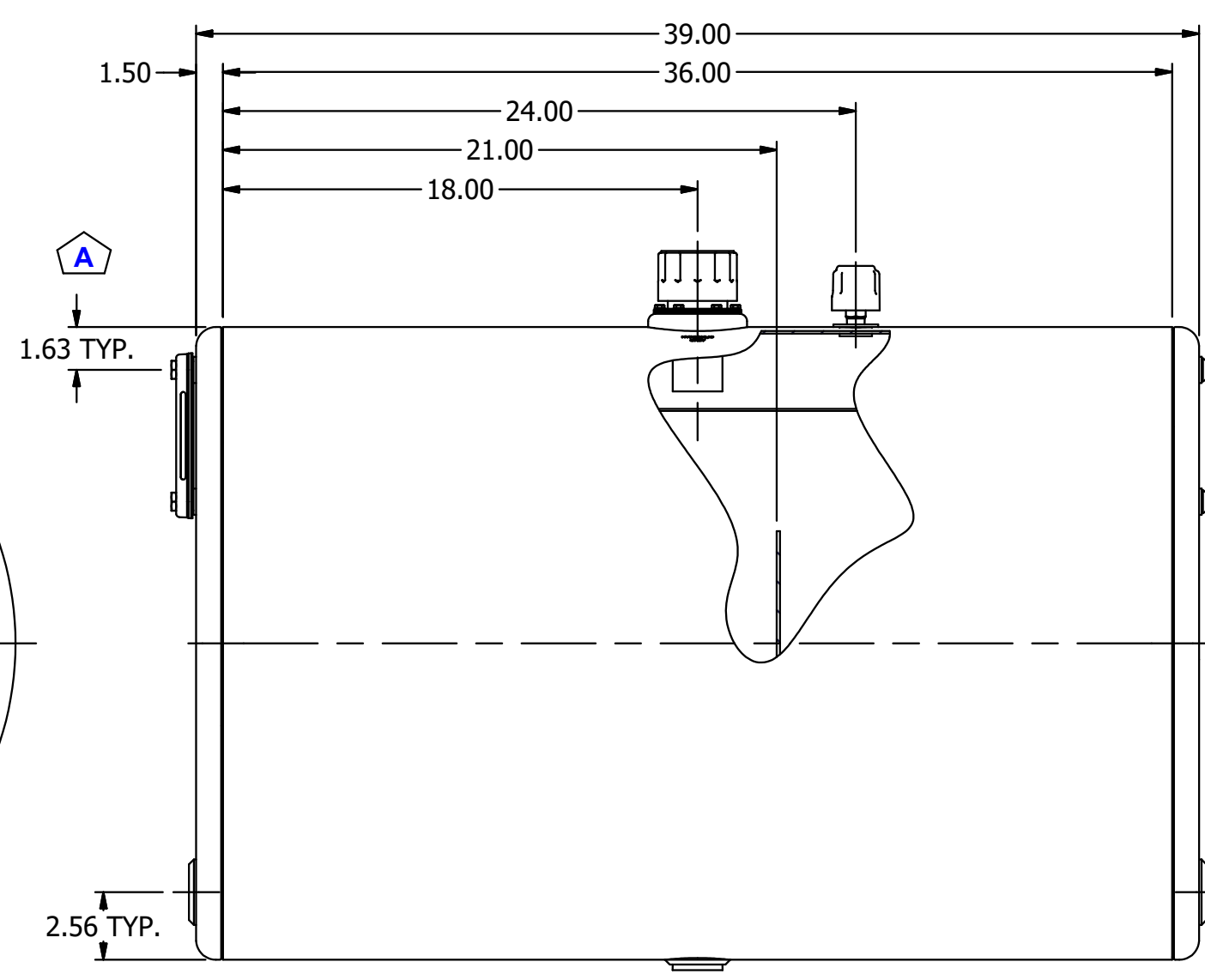
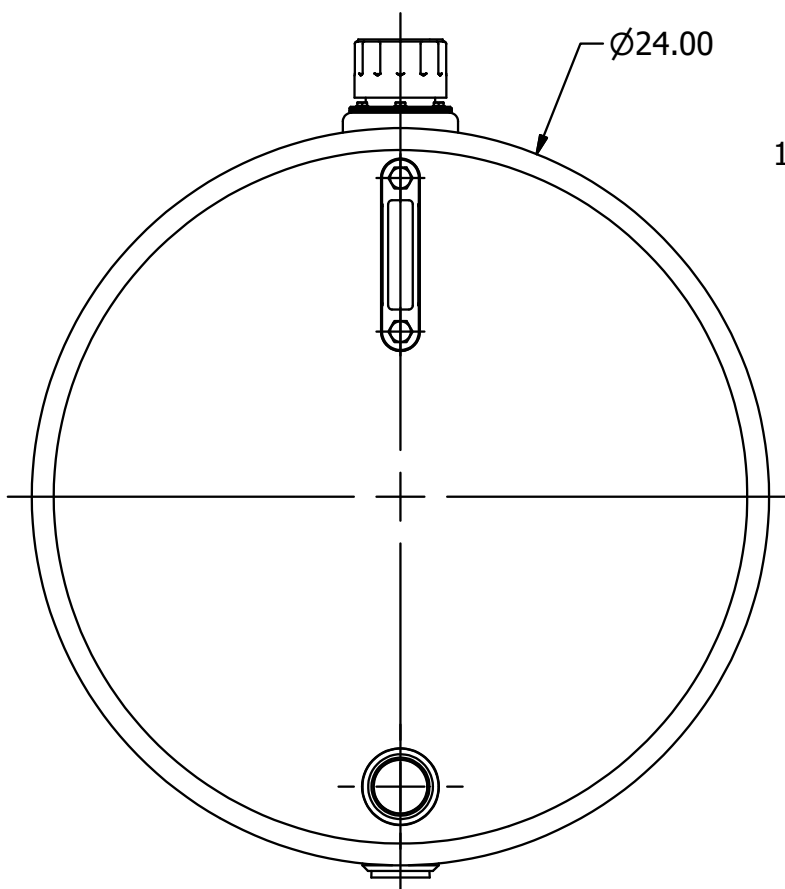
3

2

1

B

B



A

A

4

3

2

1

AMERICAN MOBILE POWER PH: (800) 634-8265 FAX: (765) 948-3403		DRAWING BY: BPKNIGHT	DESIGN FOR: A.M.P.	FILE NAME: A4575-ST	
		COMPLETED: 6/8/2007		SHEET: 2 of 5	SHEET SIZE: B

DATE	SYM.	DESCRIPTION	BY
4-20-09	A	WAS 2.00	BPK
REVISIONS			

4

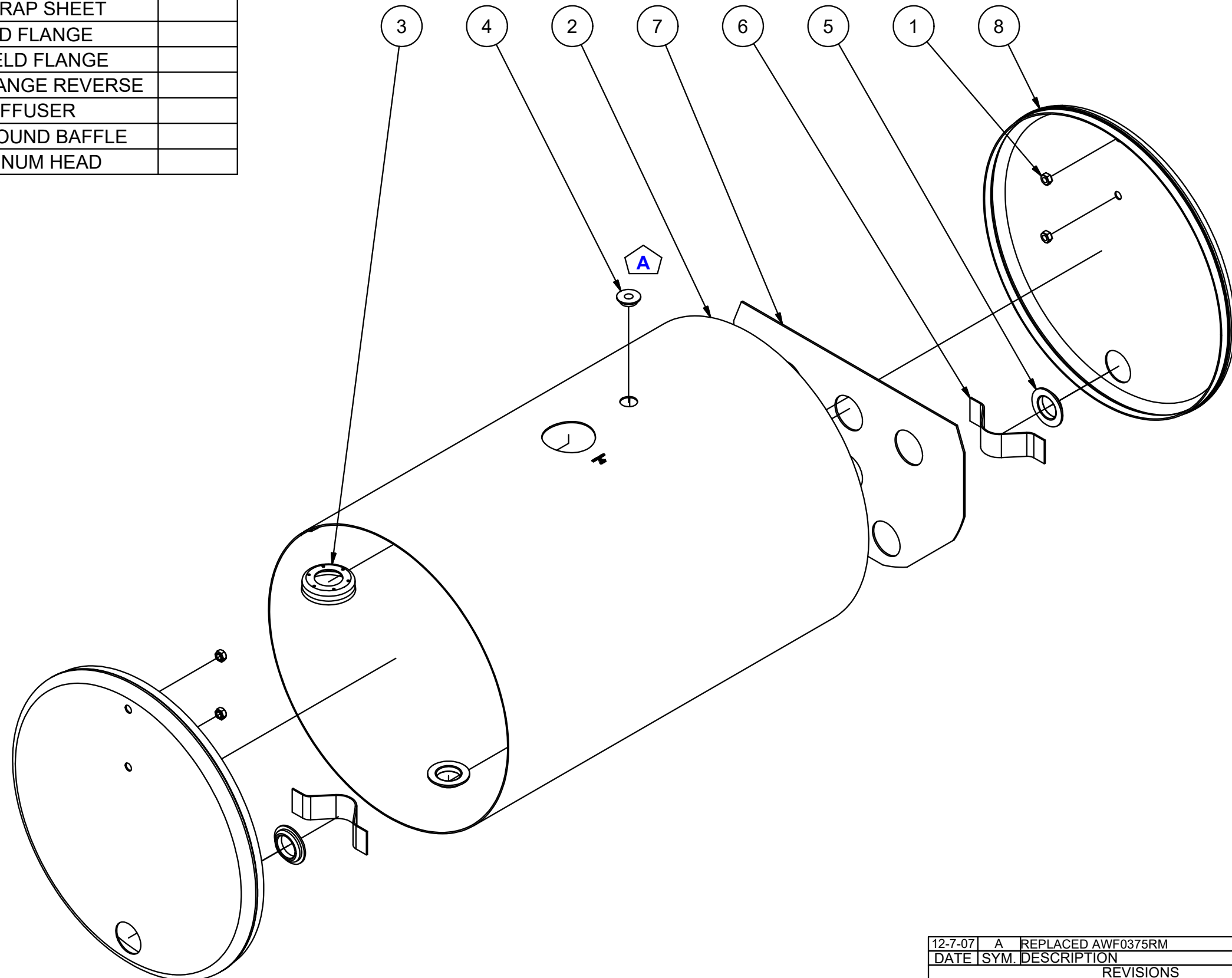
3

2

1

Parts List

ITEM	QTY	PART NUMBER	DESCRIPTION	Fab Qty
1	4	0500-13-AWN	1/2-13 ALUMINUM WELD NUT	
2	1	A4575WS	.100 MILL ALUMINUM WRAP SHEET	
3	1	AFA-401	.100 AI FILL ASS'Y WELD FLANGE	
4	1	AWF0375SA	3/8" NPT ALUMINUM WELD FLANGE	
5	3	AWF1500RM	1-1/2" NPT AL WELD FLANGE REVERSE	
6	3	DIFFUSER-AL	.100 MILL ALUMINUM DIFFUSER	
7	1	SA0000BF	.125 MILL ALUMINUM ROUND BAFFLE	
8	2	SA1500RMST	24 IN X .100 MILL ALUMINUM HEAD	



B

B

A

A

DATE	SYM.	DESCRIPTION	BY
12-7-07	A	REPLACED AWF0375RM	BPK

AMERICAN MOBILE POWER PH: (800) 634-8265 FAX: (765) 948-3403	DRAWING BY: BPKNIGHT	DESIGN FOR: A.M.P.	FILE NAME: A4575-ST	
	COMPLETED: 6/8/2007		SHEET: 3 of 5	SHEET SIZE: B

4

3

2

1