

4

3

2

1

Parts List

ITEM	QTY	PART NUMBER	DESCRIPTION
1	2	0500BBS	Black Buffer Seal 1.0 OD x .5 ID x .10 Neoprene
2	2	24107	Button Head, Hex, 1/2-13 UNC x 0.75
3	1	57XL-40	40 Micron FILL w/30 Mesh Stainless Strainer
4	1	ABA-138	3/8" NPT VENT
5	1	APP2000	2" NPT SQUARE SOCKET PLUG
6	1	N_A4575-2ST	NAM WELDMENT ~42.37 lbs
7	1	T-LLG-5	SIGHT/TEMP. GAUGE, 5"

AMP PARTS INCLUDE:

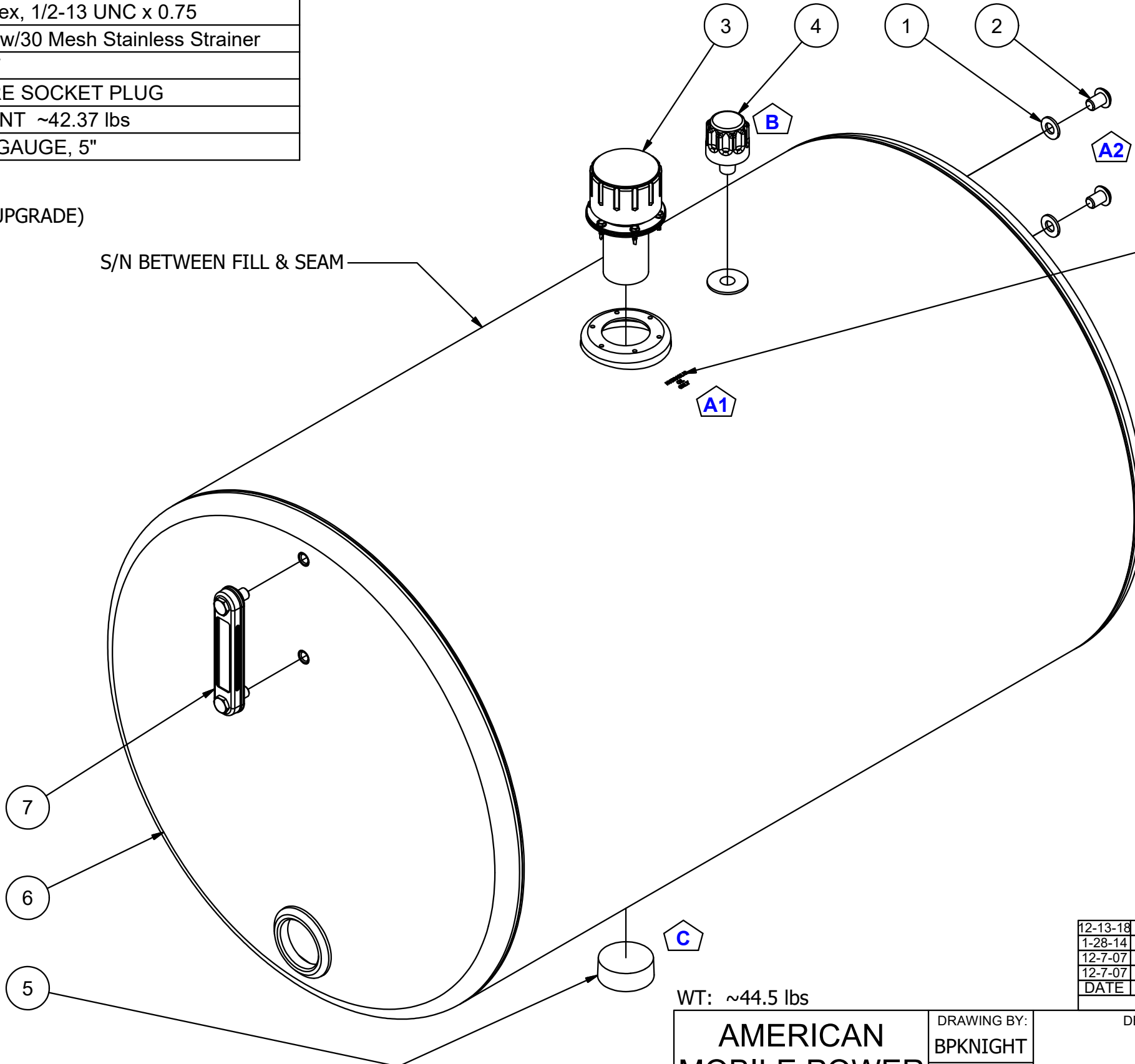
-AMK-624-C/3 MOUNTING KIT (STD) OR -S (UPGRADE)

NOTE:

-PLUG ALL PORTS FOR SHIPMENT

S/N BETWEEN FILL & SEAM

HYDRAULIC OIL ONLY



DATE	SYM.	DESCRIPTION	BY
12-13-18	C	SHOW PLUG; UPDATE PARTS LIST	BPK
1-28-14	B	UPDATE PARTS	BPK
12-7-07	A2	Was STL FLT Washer, O-Ring, HHCS	BPK
12-7-07	A1	Added "HYDRAULIC OIL ONLY" Stamp	BPK

WT: ~44.5 lbs

<b>AMERICAN MOBILE POWER</b> PH: (800) 634-8265 FAX: (765) 948-3403	DRAWING BY: BPKNIGHT	DESIGN FOR: A.M.P.	FILE NAME: A4575-2ST	
	COMPLETED: 6/8/2007		SHEET: 1 of 5	SHEET SIZE: B

4

3

2

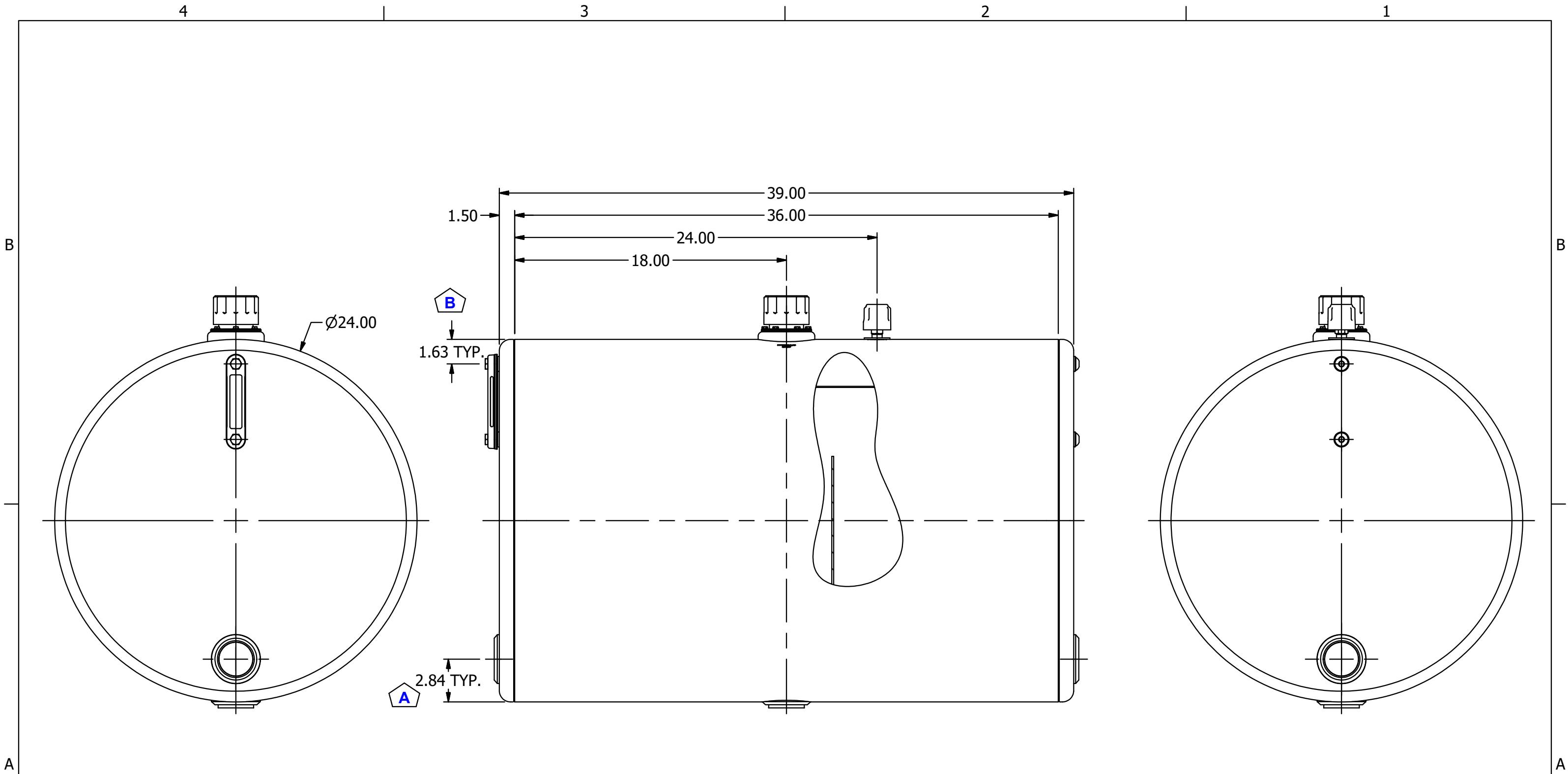
1

B

B

A

A



DATE	SYM.	DESCRIPTION	BY
4-21-09	B	WAS 2.00	BPK
10-3-08	A	RAISED FITTING .125"	BPK

**AMERICAN  
MOBILE POWER**  
PH: (800) 634-8265 FAX: (765) 948-3403

DRAWING BY:  
**BPKNIGHT**  
COMPLETED:  
**6/8/2007**

DESIGN FOR:  
**A.M.P.**

FILE NAME: <b>A4575-2ST</b>	
SHEET: <b>2 of 5</b>	SHEET SIZE: <b>B</b>

4

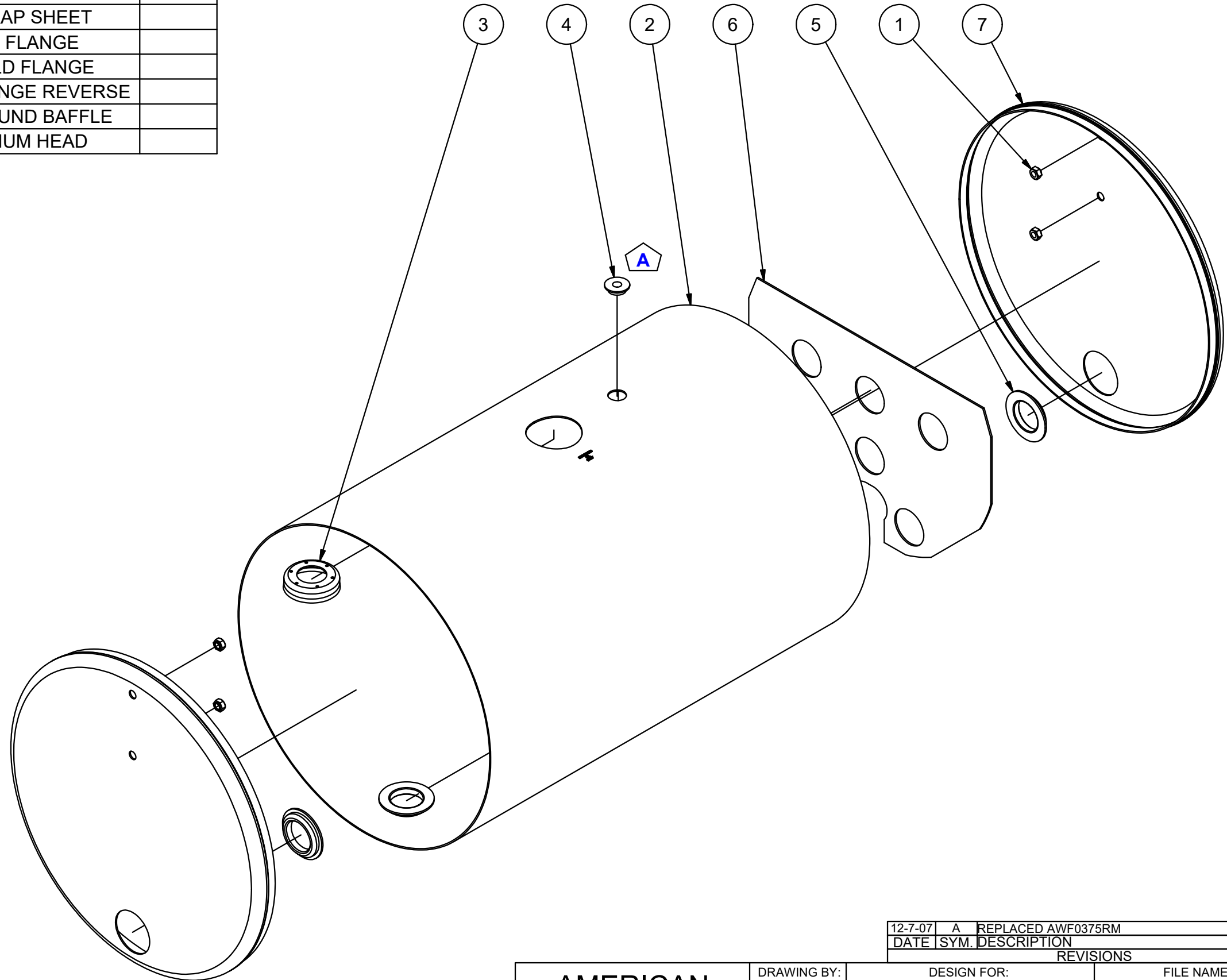
3

2

1

Parts List

ITEM	QTY	PART NUMBER	DESCRIPTION	Fab Qty
1	4	0500-13-AWN	1/2-13 ALUMINUM WELD NUT	
2	1	A4575-2WS	.100 MILL ALUMINUM WRAP SHEET	
3	1	AFA-401	.100 AI FILL ASS'Y WELD FLANGE	
4	1	AWF0375SA	3/8" NPT ALUMINUM WELD FLANGE	
5	3	AWF2000RM	2" NPT ALUM. WELD FLANGE REVERSE	
6	1	SA0000BF	.125 MILL ALUMINUM ROUND BAFFLE	
7	2	SA2000RMST	24 IN X .100 MILL ALUMINUM HEAD	



B

B

A

A

DATE	SYM.	DESCRIPTION	BY
12-7-07	A	REPLACED AWF0375RM	BPK

REVISIONS

<b>AMERICAN MOBILE POWER</b> PH: (800) 634-8265 FAX: (765) 948-3403	DRAWING BY: <b>BPKNIGHT</b>	DESIGN FOR: <b>A.M.P.</b>	FILE NAME: <b>A4575-2ST</b>	
	COMPLETED: <b>6/8/2007</b>		SHEET: <b>3 of 5</b>	SHEET SIZE: <b>B</b>

4

3

2

1