

4

3

2

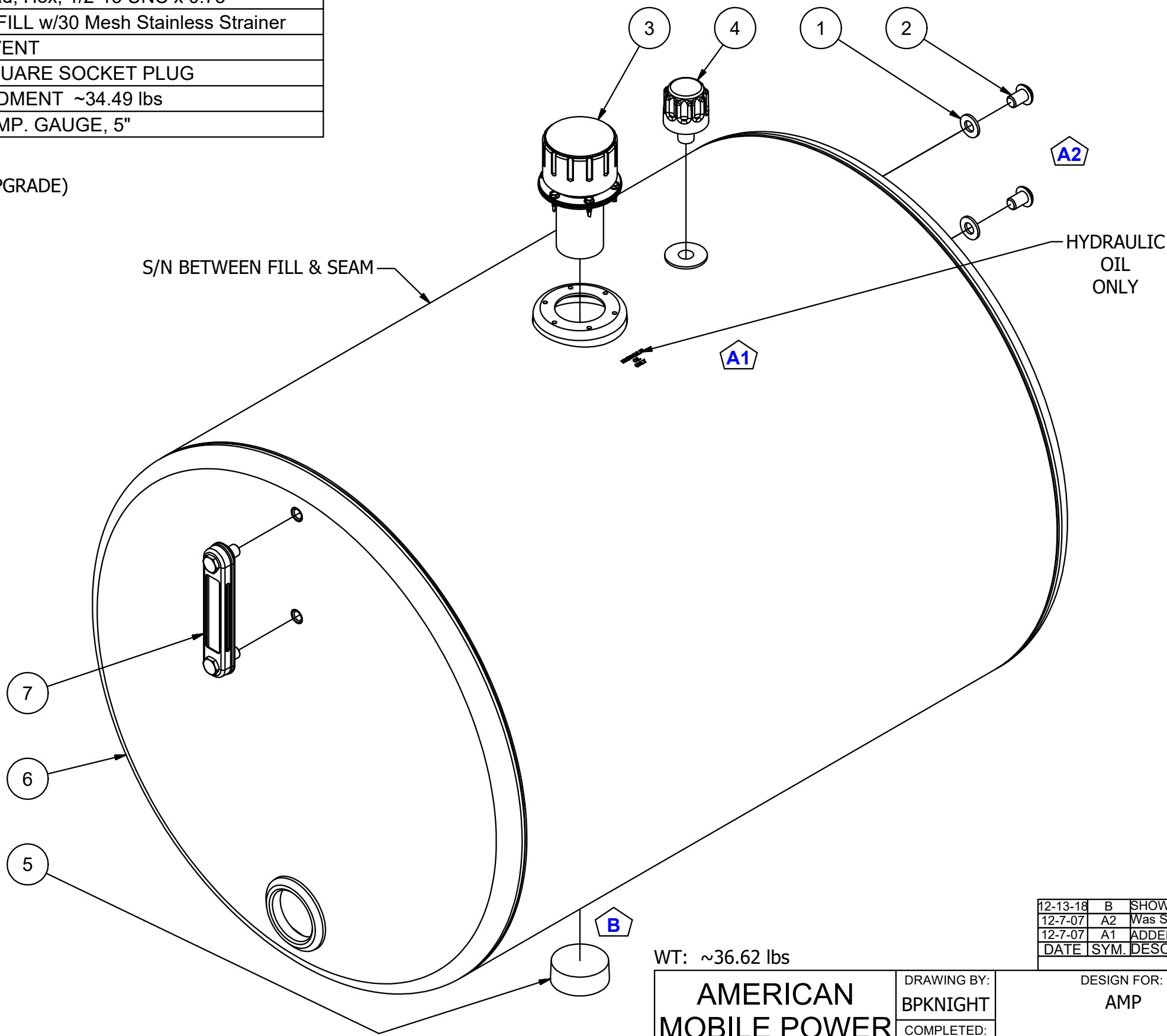
1

Parts List

ITEM	QTY	PART NUMBER	DESCRIPTION
1	2	0500BBS	Black Buffer Seal 1.0 OD x .5 ID x .10 Neoprene
2	2	24107	Button Head, Hex, 1/2-13 UNC x 0.75
3	1	57XL-40	40 Micron FILL w/30 Mesh Stainless Strainer
4	1	ABA-138	3/8" NPT VENT
5	1	APP2000	2" NPT SQUARE SOCKET PLUG
6	1	N_A4560-2ST	NAM WELDMENT ~34.49 lbs
7	1	T-LLG-5	SIGHT/TEMP. GAUGE, 5"

AMP PARTS INCLUDE:
 -AMK-624-C MOUNTING KIT (STD) OR -S (UPGRADE)

NOTE:
 -PLUG ALL PORTS FOR SHIPMENT



DATE	SYM.	DESCRIPTION	BY
12-13-18	B	SHOW PLUG; UPDATE PARTS LIST	BPK
12-7-07	A2	Was STL FLT Washer, O-RING, Hex Hd Cap Screw	BPK
12-7-07	A1	ADDED "HYDRAULIC OIL ONLY" STAMP	BPK

REVISIONS

WT: ~36.62 lbs

AMERICAN MOBILE POWER PH: (800) 634-8265 FAX: (765) 948-3403	DRAWING BY: BPKNIGHT	DESIGN FOR: AMP	FILE NAME: A4560-2ST	
	COMPLETED: 6/11/2007		SHEET: 1 of 5	SHEET SIZE: B

4

3

2

1

B

B

A

A

4

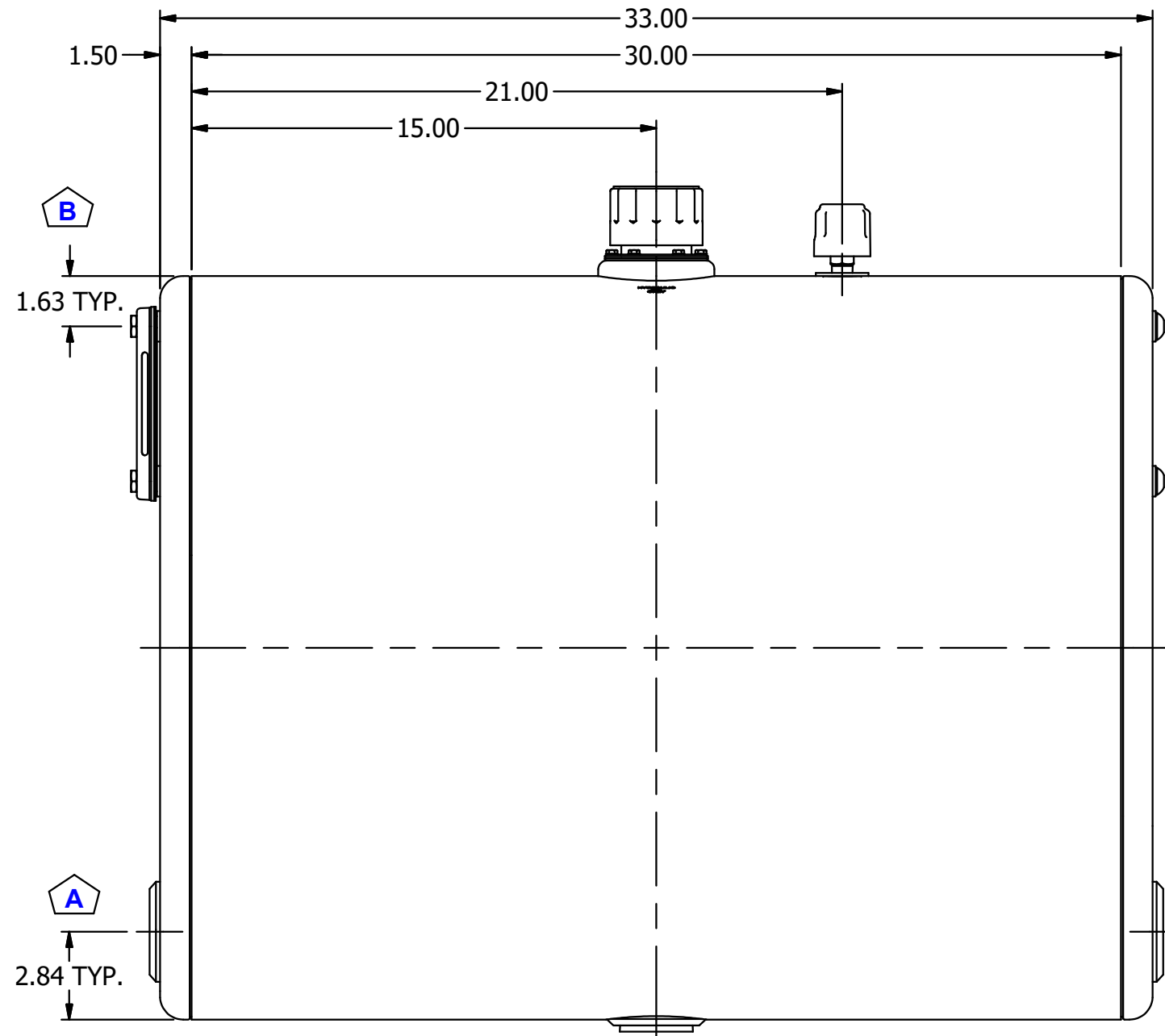
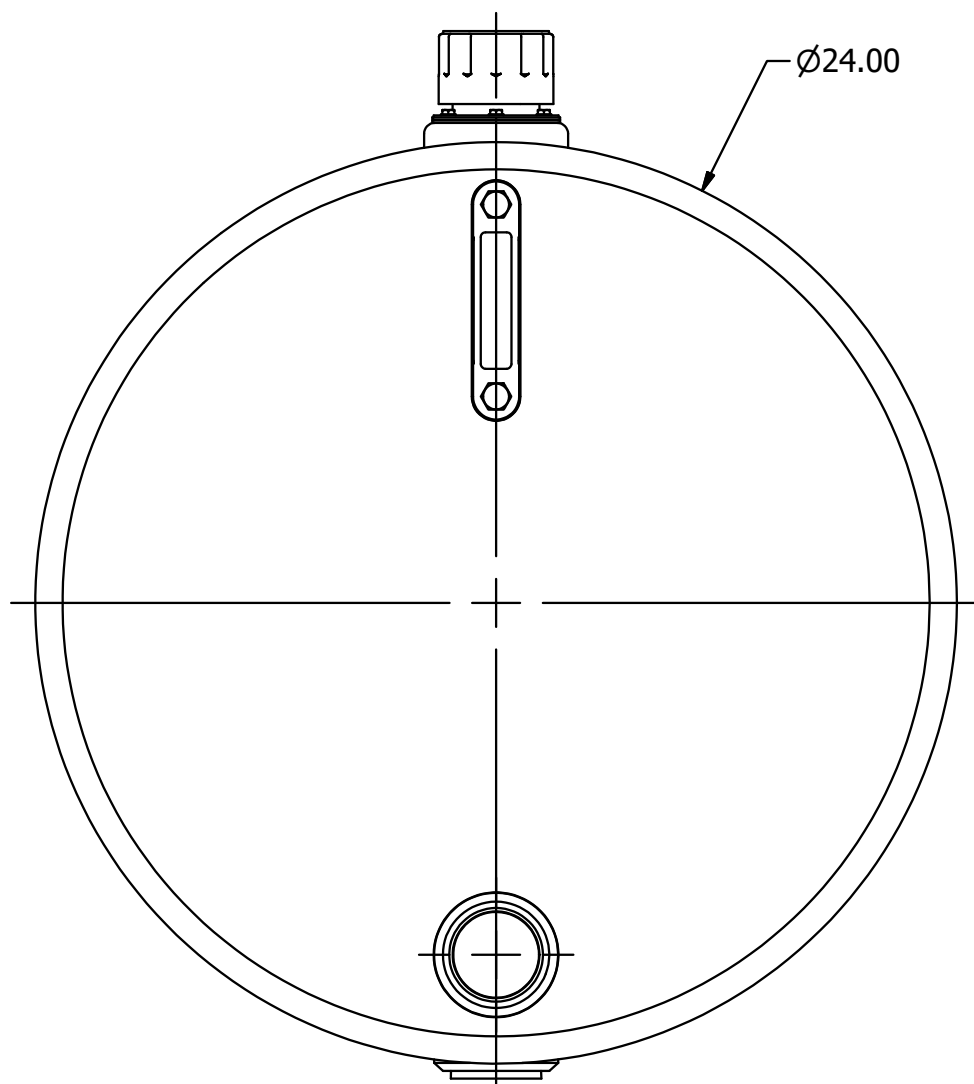
3

2

1

B

B



A

A

DATE	SYM.	DESCRIPTION	BY
4-21-09	B	WAS 2.00	BPK
10-3-08	A	RAISED FITTINGS 1/8"	BPK

REVISIONS

**AMERICAN
MOBILE POWER**

PH: (800) 634-8265 FAX: (765) 948-3403

DRAWING BY:
BPKNIGHT

COMPLETED:
6/11/2007

DESIGN FOR:
AMP

FILE NAME:
A4560-2ST

SHEET: **2** of **5** SHEET SIZE:
B

4

3

2

1

4

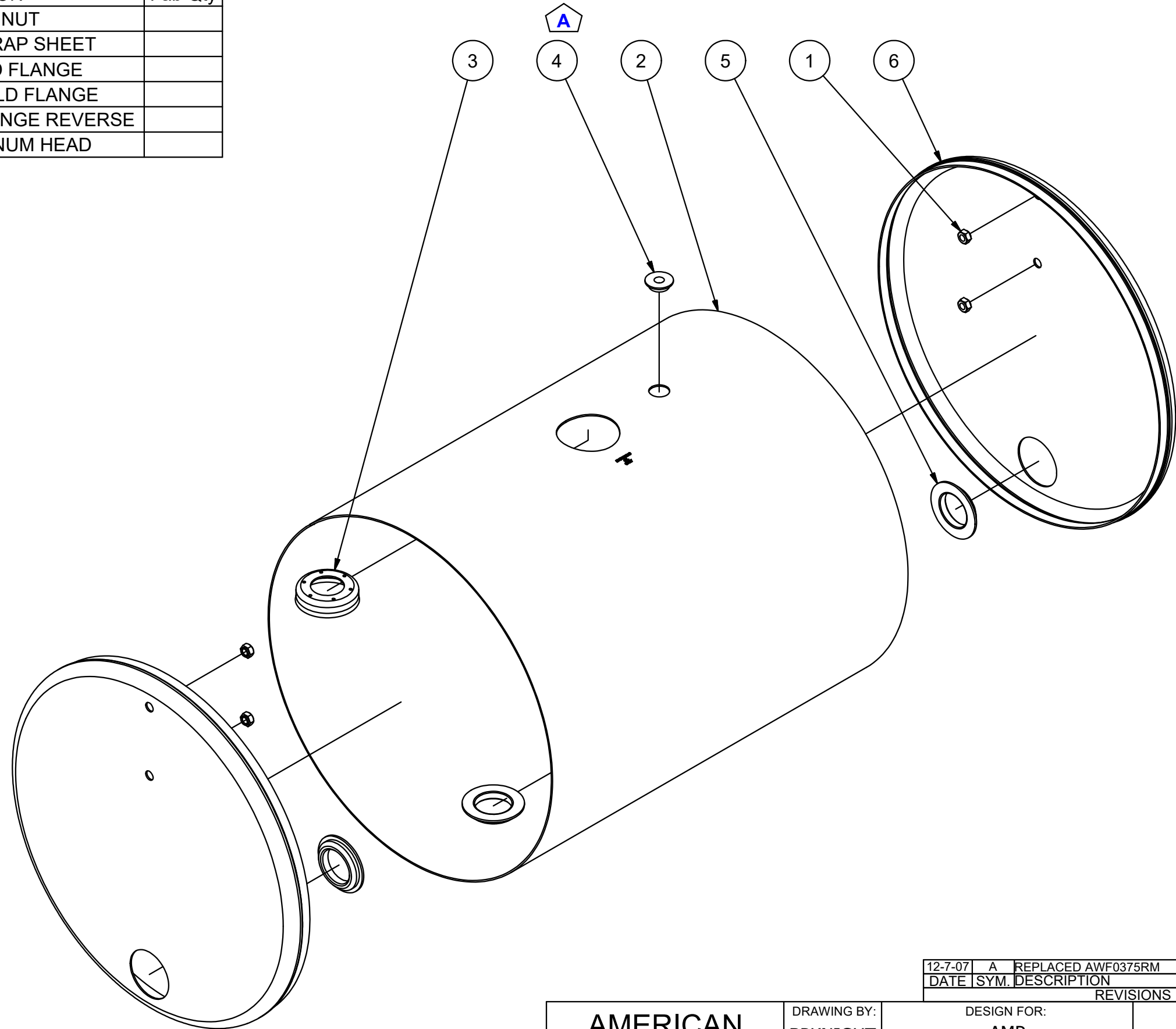
3

2

1

Parts List

ITEM	QTY	PART NUMBER	DESCRIPTION	Fab Qty
1	4	0500-13-AWN	1/2-13 ALUMINUM WELD NUT	
2	1	A4560-2WS	.100 MILL ALUMINUM WRAP SHEET	
3	1	AFA-401	.100 AI FILL ASS'Y WELD FLANGE	
4	1	AWF0375SA	3/8" NPT ALUMINUM WELD FLANGE	
5	3	AWF2000RM	2" NPT ALUM. WELD FLANGE REVERSE	
6	2	SA2000RMST	24 IN X .100 MILL ALUMINUM HEAD	



B

B

A

A

12-7-07	A	REPLACED AWF0375RM	BPK
DATE	SYM.	DESCRIPTION	BY

REVISIONS

AMERICAN MOBILE POWER PH: (800) 634-8265 FAX: (765) 948-3403	DRAWING BY: BPKNIGHT	DESIGN FOR: AMP	FILE NAME: A4560-2ST	
	COMPLETED: 6/11/2007		SHEET: 3 of 5	SHEET SIZE: B

4

3

2

1