

4

3

2

1

Parts List

ITEM	QTY	PART NUMBER	DESCRIPTION
1	2	0500BBS	Black Buffer Seal 1.0 OD x .5 ID x .10 Neoprene
2	2	24107	Button Head, Hex, 1/2-13 UNC x 0.75
3	1	910TSCO0002	FILLER BREATHER w/STRAINER PLASTIC
4	1	AFC-507	FILTER PORT COVER 6.25 DIA. B.C.
5	1	APP0750-M	3/4" NPT MAG PLUG
6	1	N_A4535-DS90-STRF	NAM WELDMENT ~29 lbs
7	1	T-LLG-5	SIGHT/TEMP. GAUGE, 5"

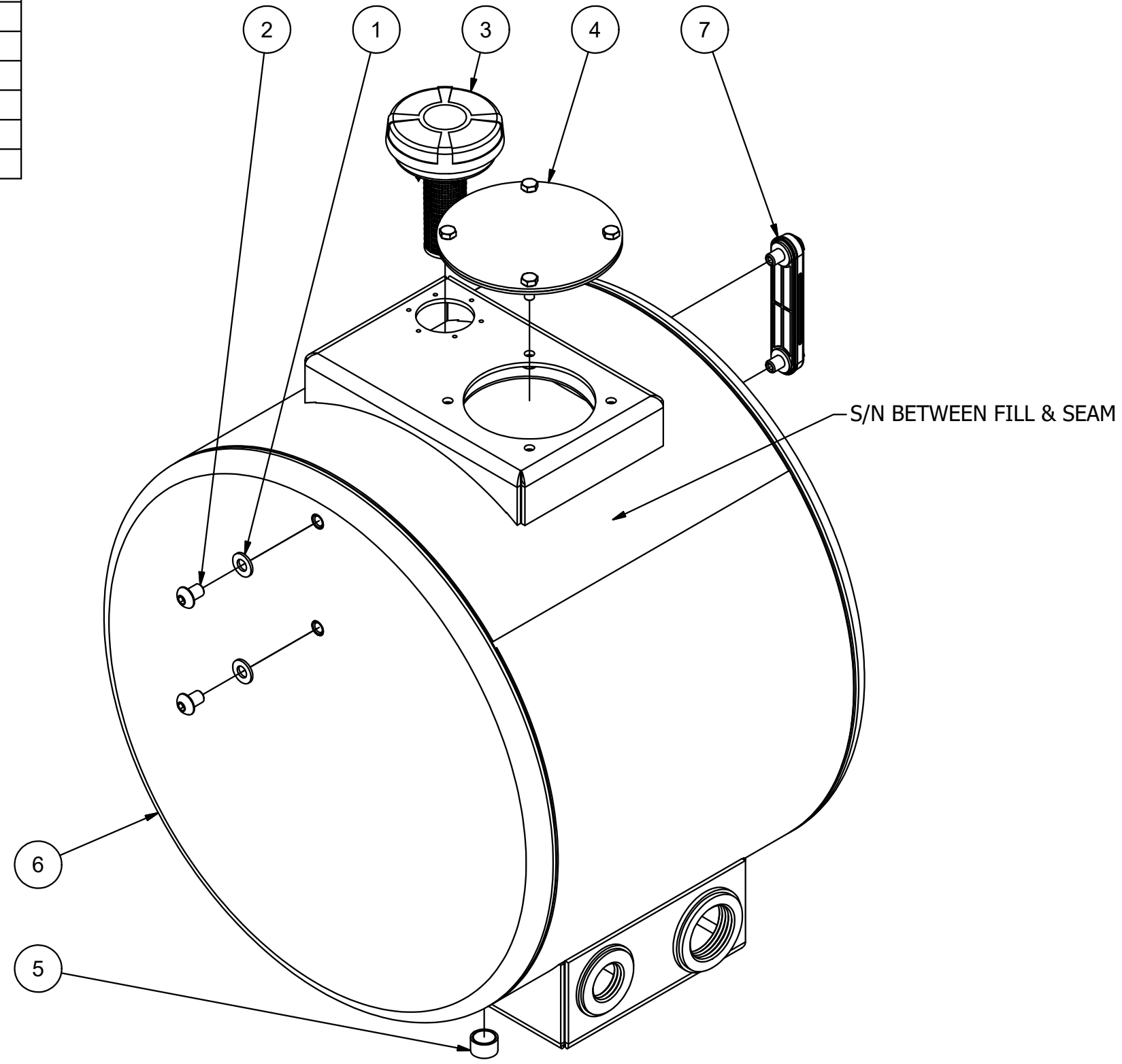
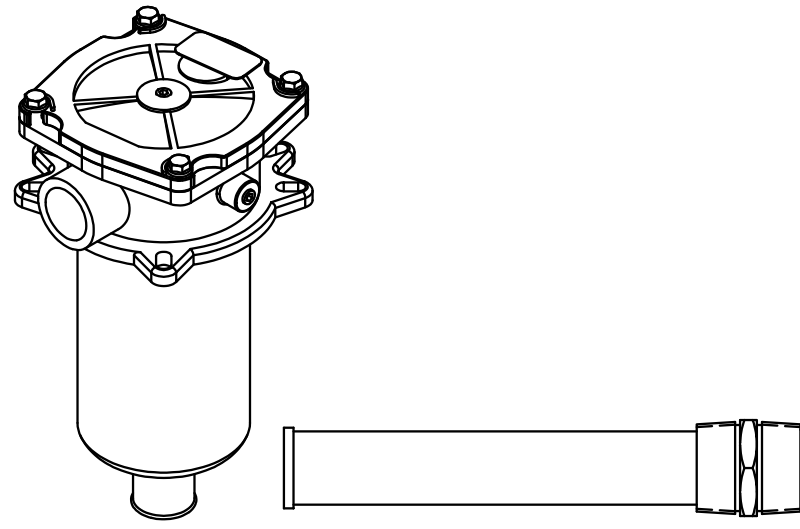
AMP PARTS INCLUDE:

-AMK-624-C MOUNTING KIT (STD) OR -S (UPGRADE)

NOTE:

-PLUG ALL PORTS FOR SHIPMENT

* ON ORDER ONLY: LIT-1250-10P IN-TANK RETURN FILTER
LTF-32-32R5 SUCTION STRAINER



WT: ~31.65 lbs

AMERICAN MOBILE POWER PH: (800) 634-8265 FAX: (765) 948-3403	DRAWING BY: BPKNIGHT	DESIGN FOR: A.M.P.	FILE NAME: A4535-DS90-STRF	
	COMPLETED: 9/6/2016		SHEET: 1 of 9	SHEET SIZE: B

4

3

2

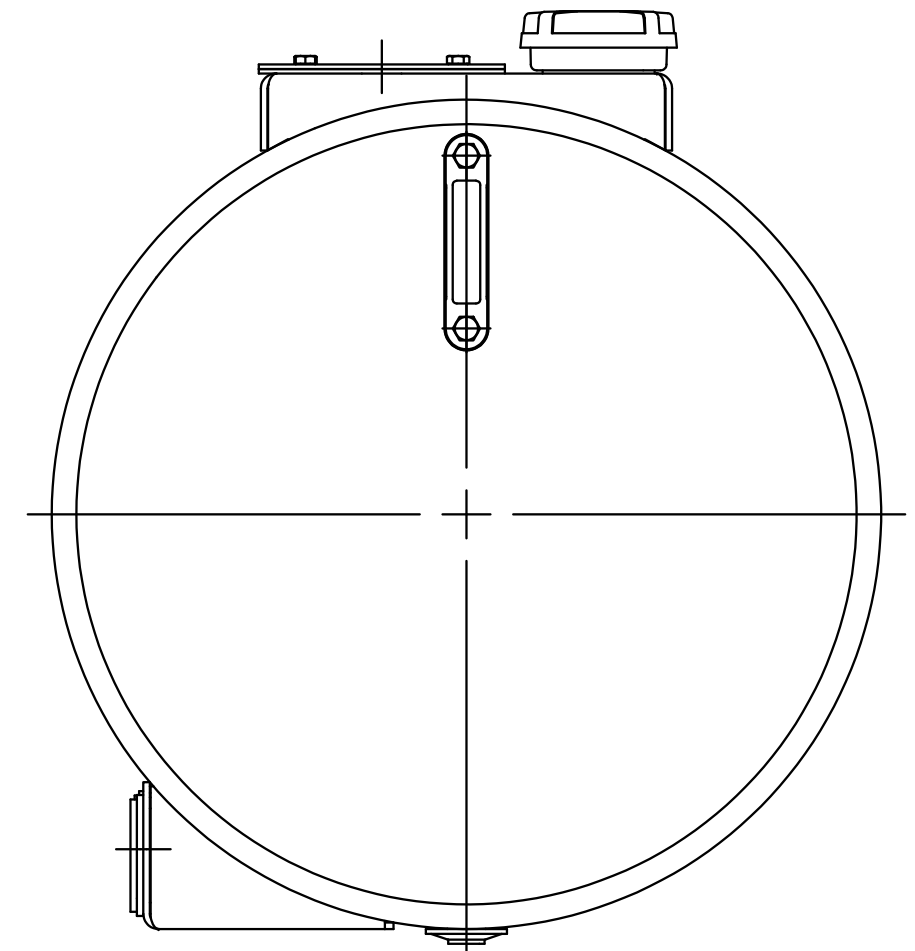
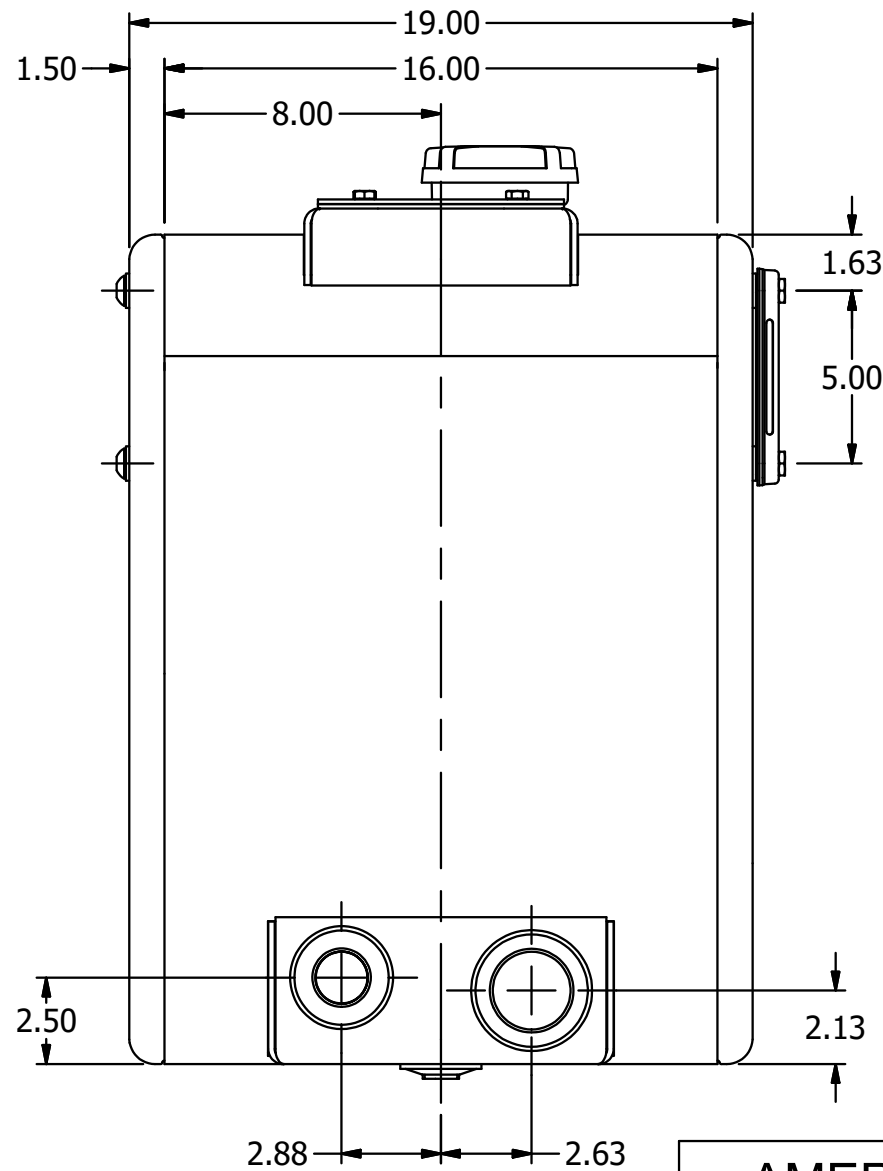
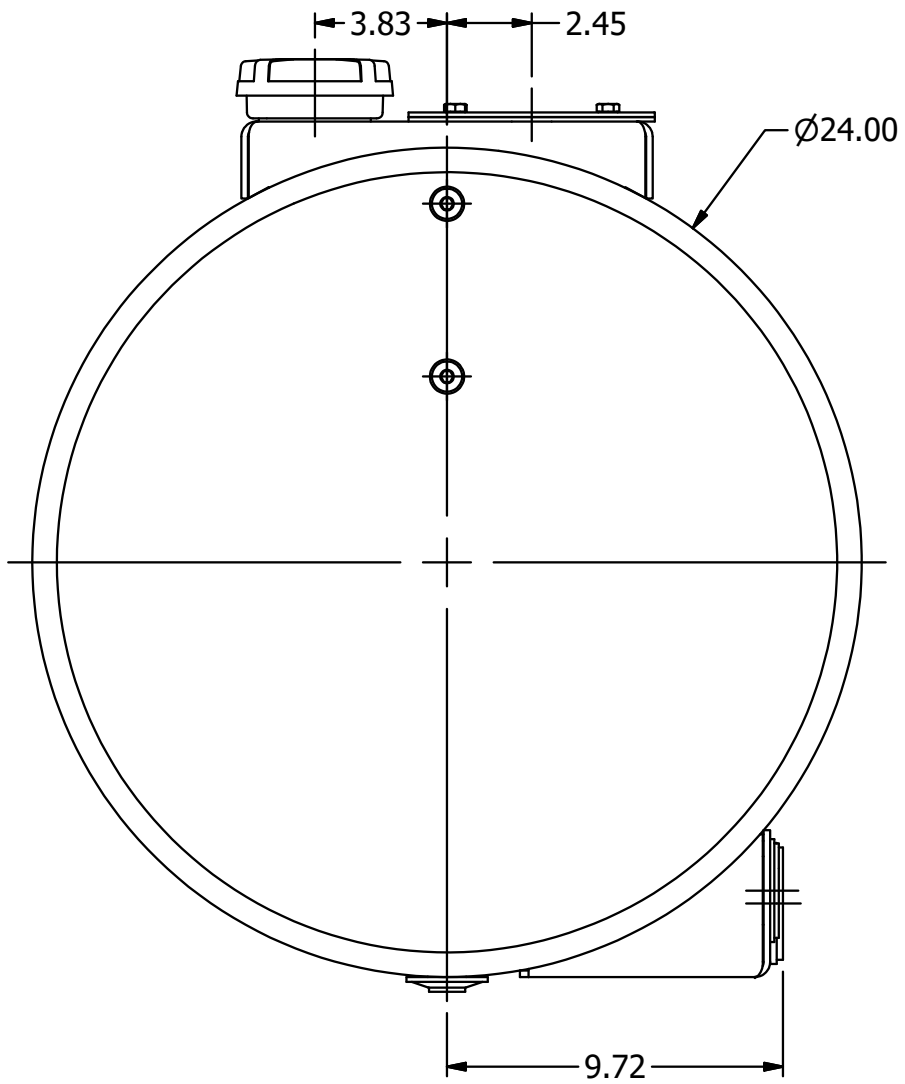
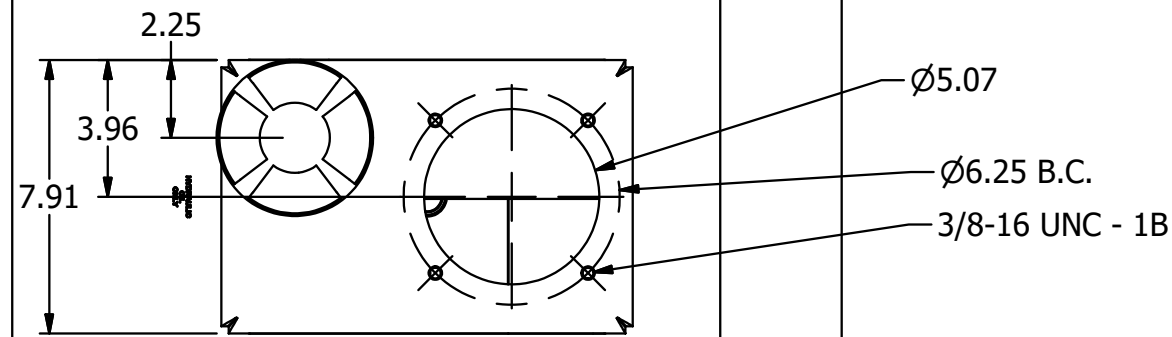
1

B

B

A

A



AMERICAN MOBILE POWER <small>PH: (800) 634-8265 FAX: (765) 948-3403</small>	DRAWING BY: BPKNIGHT	DESIGN FOR: A.M.P.	FILE NAME: A4535-DS90-STRF	
	COMPLETED: 9/6/2016		SHEET: 2 of 9	SHEET SIZE: B

4

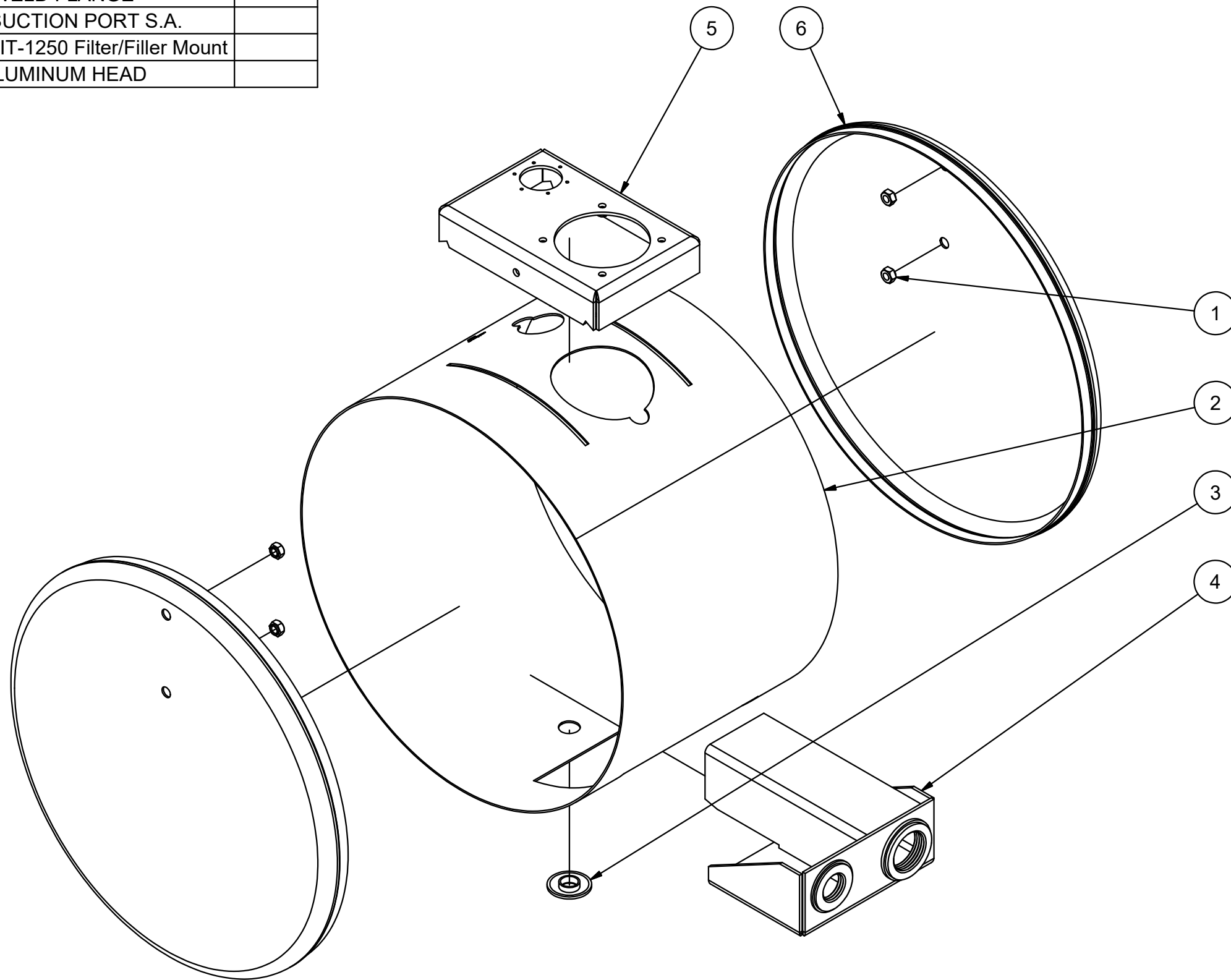
3

2

1

Parts List

ITEM	QTY	PART NUMBER	DESCRIPTION	Fab Qty
1	4	0500-13-AWN	1/2-13 ALUMINUM WELD NUT	
2	1	A4535-DS90-RFW	.100 MILL ALUMINUM WRAP SHEET	
3	1	AWF0750	3/4" NPTF 6061-T6 WELD FLANGE	
4	1	N_A4535-DS90SP	NAM WELDMENT: SUCTION PORT S.A.	
5	1	N_A45RF12FBM	NAM WELDMENT: LIT-1250 Filter/Filler Mount	
6	2	SA0000ST	24 IN X .100 MILL ALUMINUM HEAD	



B

B

A

A

AMERICAN MOBILE POWER PH: (800) 634-8265 FAX: (765) 948-3403	DRAWING BY: BPKNIGHT	DESIGN FOR: A.M.P.	FILE NAME: A4535-DS90-STRF	
	COMPLETED: 9/6/2016		SHEET: 3 of 9	SHEET SIZE: B

4

3

2

1