

4

3

2

1

Parts List

ITEM	QTY	PART NUMBER	DESCRIPTION
1	2	0500BBS	Black Buffer Seal 1.0 OD x .5 ID x .10 Neoprene
2	2	24107	Button Head, Hex, 1/2-13 UNC x 0.75
3	1	57XL-40	40 Micron FILL w/30 Mesh Stainless Strainer
4	1	ABA-138	3/8" NPT VENT
5	1	APP2000	2" NPT SQUARE SOCKET PLUG
6	1	N_A4500-2ST	NAM WELDMENT ~29.91 lbs
7	1	T-LLG-5	SIGHT/TEMP. GAUGE, 5"

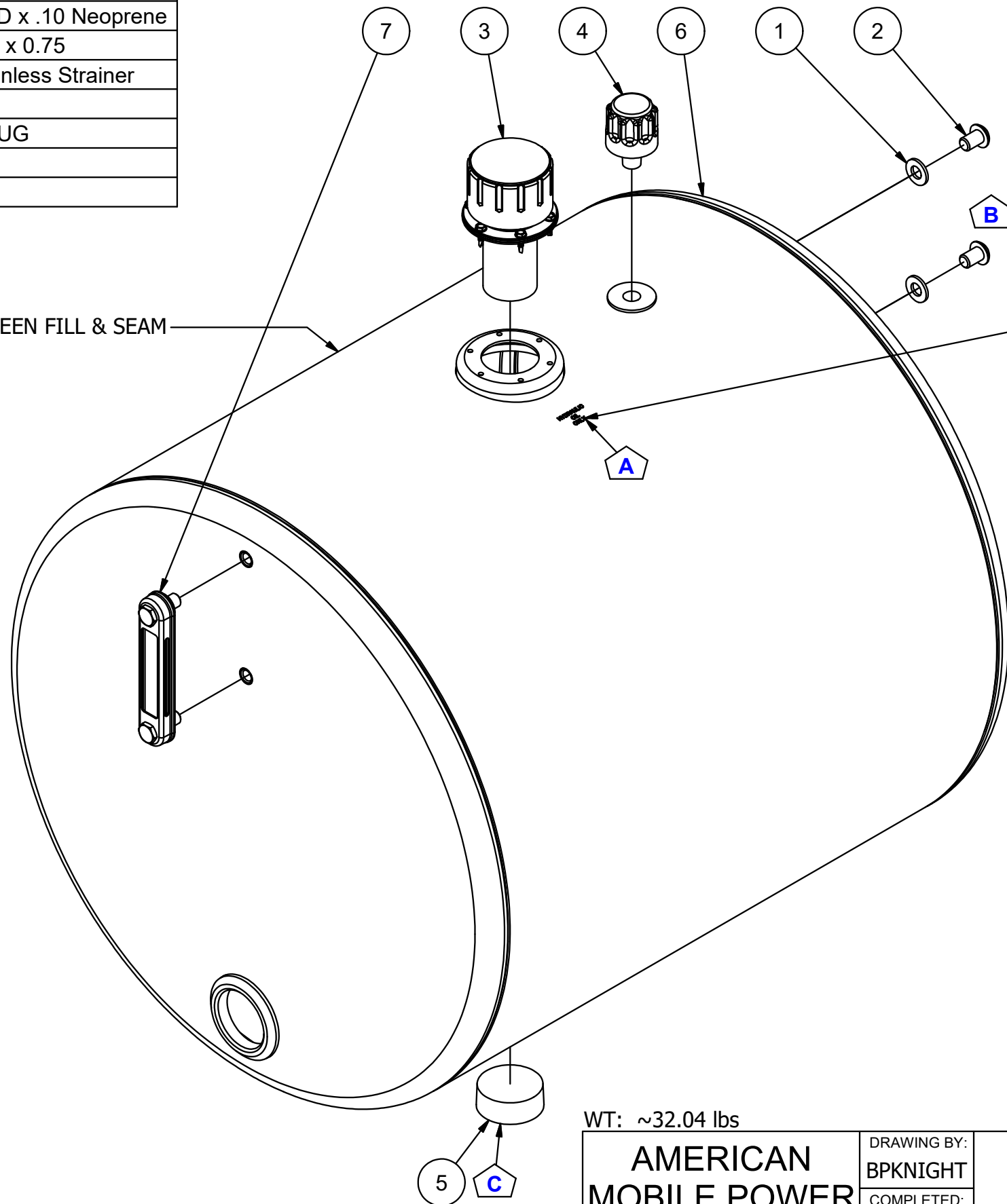
AMP PARTS INCLUDE:

B -AMK-624-C MOUNTING KIT (STD) OR -S (UPGRADE)

NOTE:  
-PLUG ALL PORTS FOR SHIPMENT

S/N BETWEEN FILL & SEAM

HYDRAULIC OIL ONLY



DATE	SYM.	DESCRIPTION	BY
12-8-15	C	SHOW PLUG FOR MASS	BPK
12-6-07	B	Was STL FLT Washer, O-RING, Hex Hd Cap Screw	BPK
8-20-07	A	ADDED "HYDRAULIC OIL ONLY" STAMP	BPK

REVISIONS

WT: ~32.04 lbs

**AMERICAN  
MOBILE POWER**

PH: (800) 634-8265 FAX: (765) 948-3403

DRAWING BY:  
BPKNIGHT

COMPLETED:  
6/7/2007

DESIGN FOR:  
AMP

FILE NAME:  
A4500-2ST

SHEET:  
1 of 5

SHEET SIZE:  
B

4

3

2

1

A

A

B

4

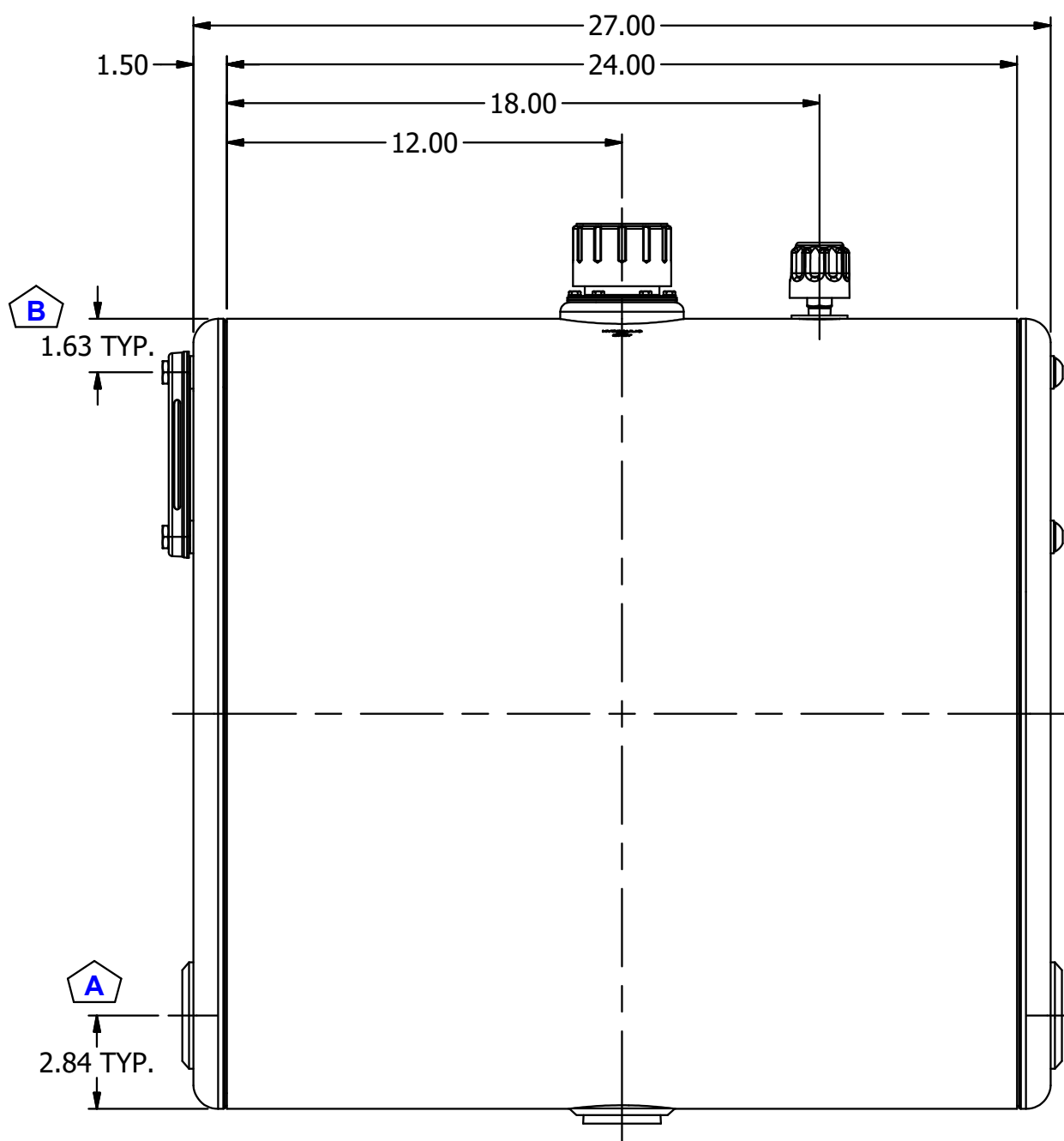
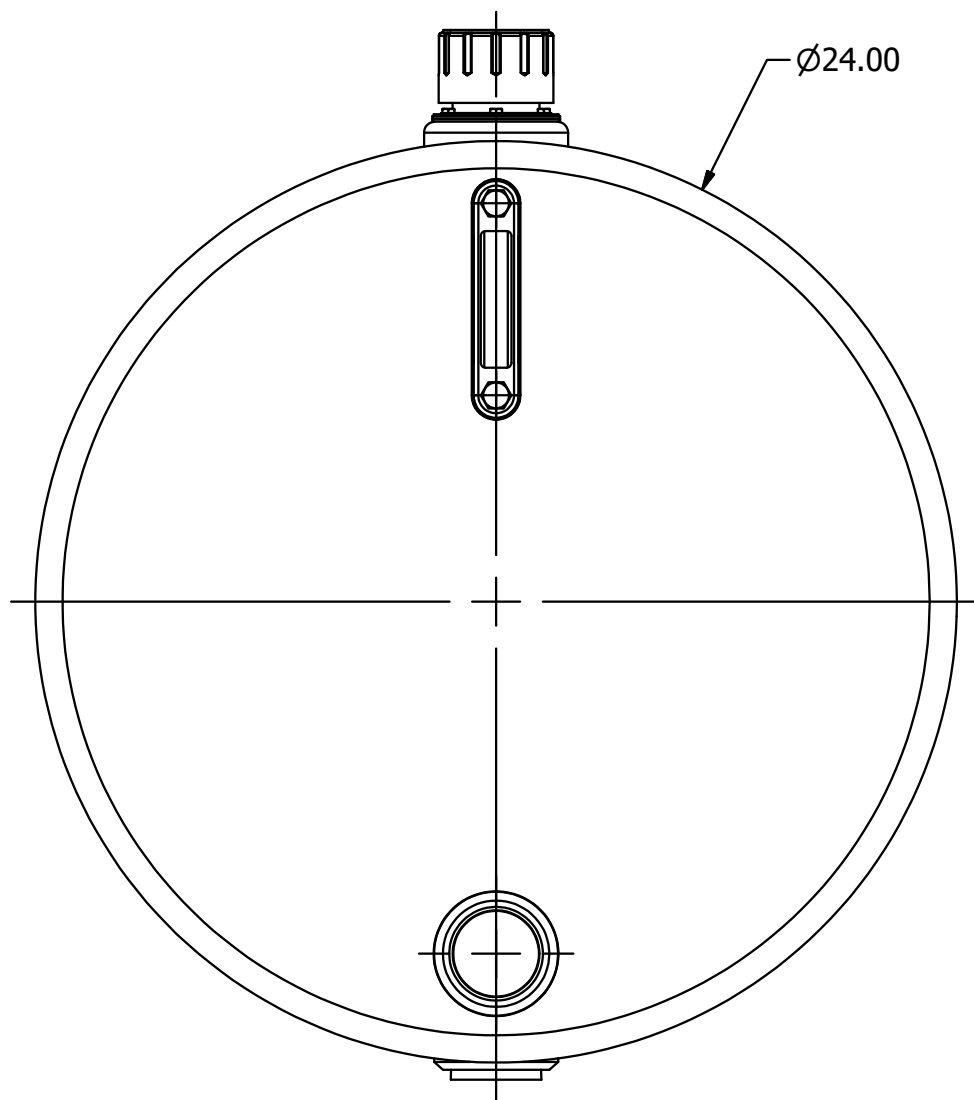
3

2

1

B

B



A

A

DATE	SYM.	DESCRIPTION	BY
4-20-09	B	WAS 2.00	BPK
10-3-08	A	RAISED FITTINGS 1/8"	BPK
REVISIONS			

**AMERICAN  
MOBILE POWER**  
PH: (800) 634-8265 FAX: (765) 948-3403

DRAWING BY:  
**BPKNIGHT**  
COMPLETED:  
**6/7/2007**

DESIGN FOR:  
**AMP**

FILE NAME:  
**A4500-2ST**  
SHEET:  
**2 of 5**  
SHEET SIZE:  
**B**

4

3

2

1

4

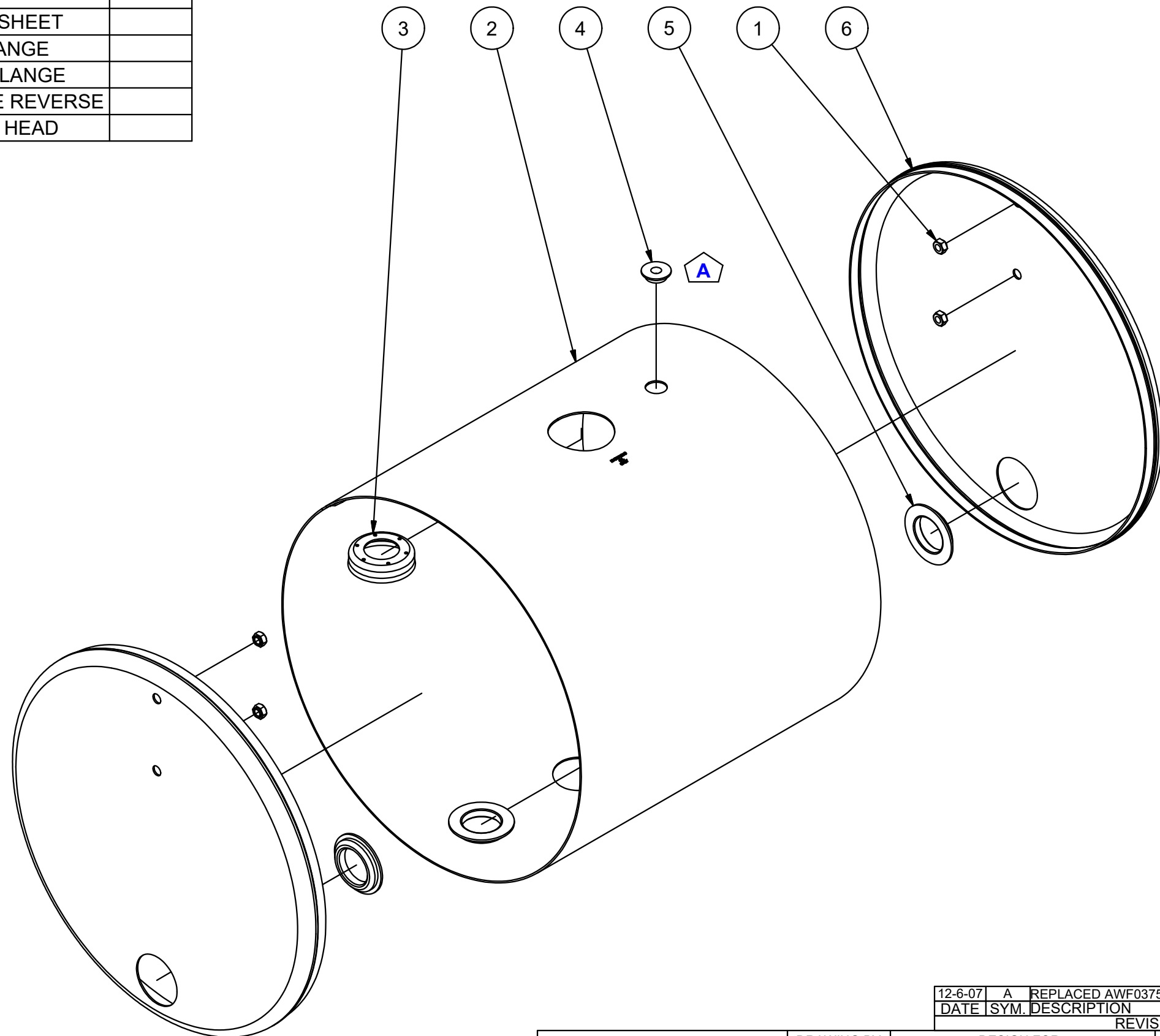
3

2

1

Parts List

ITEM	QTY	PART NUMBER	DESCRIPTION	Fab Qty
1	4	0500-13-AWN	1/2-13 ALUMINUM WELD NUT	
2	1	A4500-2WS	.100 MILL ALUMINUM WRAP SHEET	
3	1	AFA-401	.100 AI FILL ASS'Y WELD FLANGE	
4	1	AWF0375SA	3/8" NPT ALUMINUM WELD FLANGE	
5	3	AWF2000RM	2" NPT ALUM. WELD FLANGE REVERSE	
6	2	SA2000RMST	24 IN X .100 MILL ALUMINUM HEAD	



B

B

A

A

12-6-07	A	REPLACED AWF0375RM	BPK
DATE	SYM.	DESCRIPTION	BY

REVISIONS

<b>AMERICAN MOBILE POWER</b> PH: (800) 634-8265 FAX: (765) 948-3403	DRAWING BY: <b>BPKNIGHT</b>	DESIGN FOR: <b>AMP</b>	FILE NAME: <b>A4500-2ST</b>	
	COMPLETED: <b>6/7/2007</b>		SHEET: <b>3 of 5</b>	SHEET SIZE: <b>B</b>

4

3

2

1