

4

3

2

1

Parts List

ITEM	QTY	PART NUMBER	DESCRIPTION
1	2	0500BBS	Black Buffer Seal 1.0 OD x .5 ID x .10 Neoprene
2	2	24107	Button Head, Hex, 1/2-13 UNC x 0.75
3	1	57XL-10	10 Micron FILL 3" 30 Mesh SS Basket
4	1	AFC-507	FILTER PORT COVER 6.25 DIA. B.C.
5	1	APP0750-M	3/4" NPT MAG PLUG
6	1	N_A4500-2S90-STRF	NAM WELDMENT ~38 lbs
7	1	T-LLG-5	SIGHT/TEMP. GAUGE, 5"

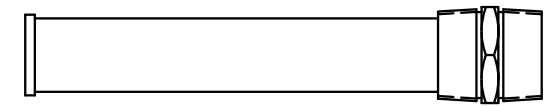
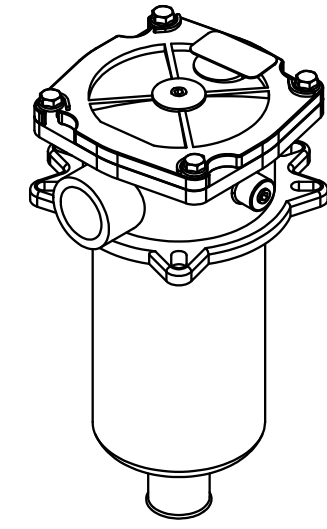
AMP PARTS INCLUDE:

-AMK-624-C MOUNTING KIT (STD) OR -S (UPGRADE)

NOTE:

-PLUG ALL PORTS FOR SHIPMENT

* ON ORDER ONLY: LIT-1250-10P IN-TANK RETURN FILTER
LTF-32-32R5 SUCTION STRAINER



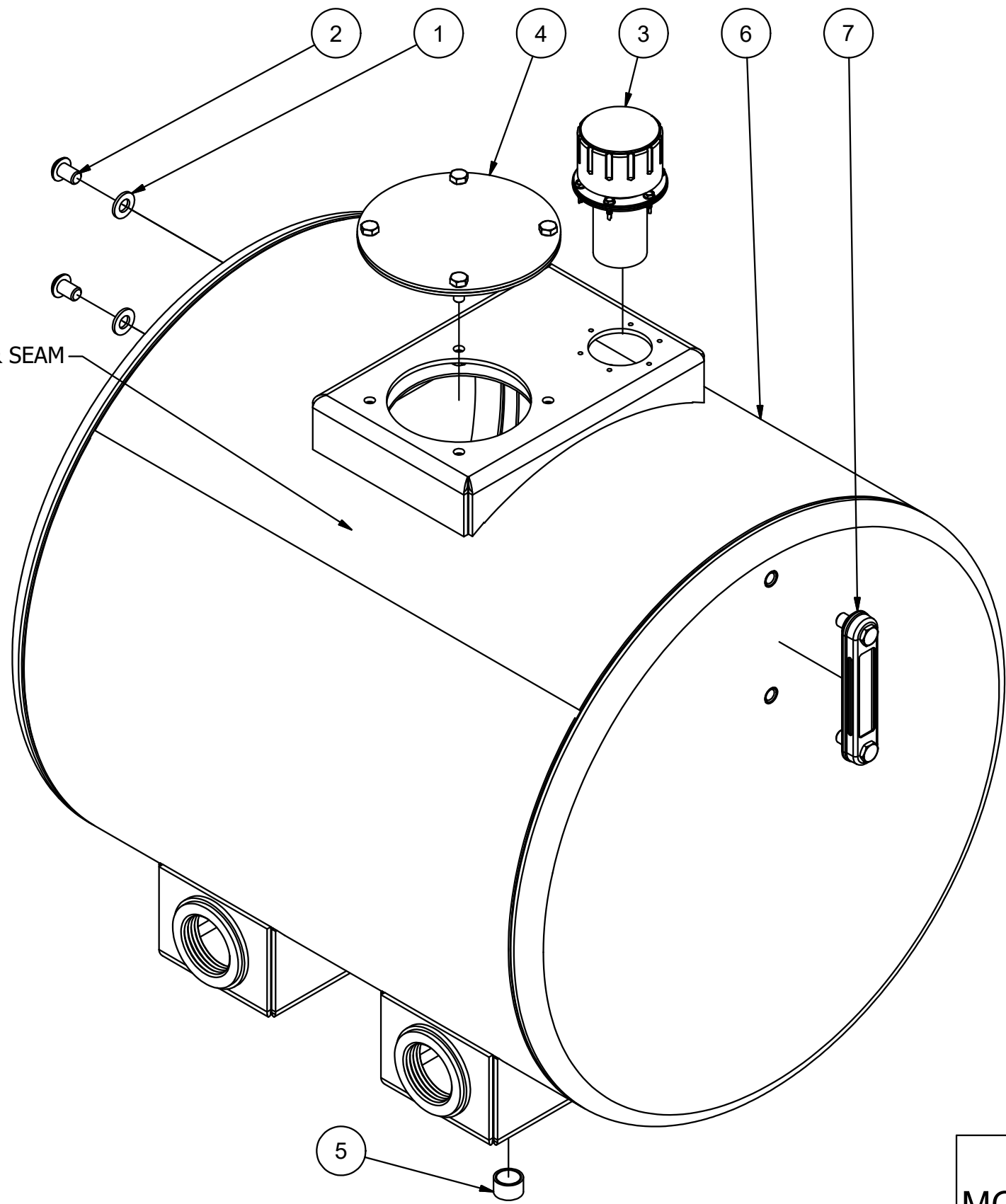
B

B

A

A

S/N BETWEEN RISER & SEAM



DATE	SYM.	DESCRIPTION	BY
12-3-18	A	FILTER WAS SHOWN MOUNTED	BPK

REVISIONS

AMERICAN MOBILE POWER PH: (800) 634-8265 FAX: (765) 948-3403	DRAWING BY: BPKNIGHT	DESIGN FOR: AMP	FILE NAME: A4500-2S90-STRF	
	COMPLETED: 9/26/2013		SHEET: 1 of 7	SHEET SIZE: B

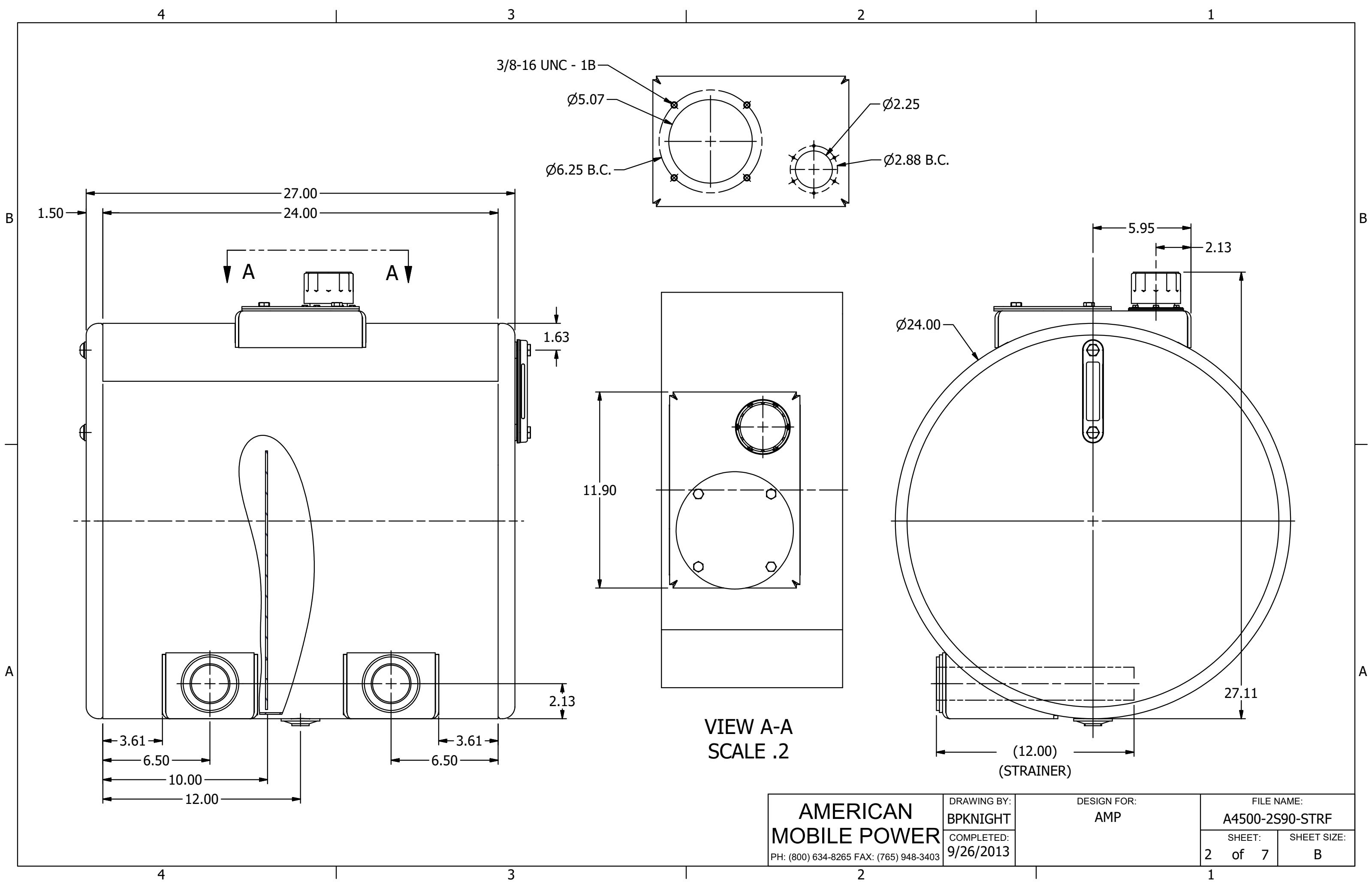
ATTENTION: ENGINEERING 4

3

2

1

OUR ENGINEERING DEPARTMENT HAS DESIGNED THIS TANK SYSTEM TO MEET YOUR SPECIFICATIONS/REQUIREMENTS. AMERICAN MOBILE POWER ASSURES ITS PRODUCT(S) TO BE OF SUPERIOR QUALITY WITHIN ITS DESIGN PARAMETERS. THE COMPANY CANNOT DETERMINE SUITABILITY OF THIS PRODUCT, AS DESIGNED, FOR A PARTICULAR APPLICATION WITHOUT COMPLETE ENGINEERING AND STRESS SPECIFICATIONS FROM THE CUSTOMER. PURCHASER ASSUMES RESPONSIBILITY FOR FINAL SUITABILITY, INSTALLATION, AND MOUNTING IN ORDER TO INSURE FULL LIFE OF THIS PRODUCT IN ITS SPECIFIC AND INTENDED USE.



VIEW A-A
SCALE .2

AMERICAN MOBILE POWER PH: (800) 634-8265 FAX: (765) 948-3403	DRAWING BY: BPKNIGHT	DESIGN FOR: AMP	FILE NAME: A4500-2S90-STRF	
	COMPLETED: 9/26/2013		SHEET: 2 of 7	SHEET SIZE: B

4

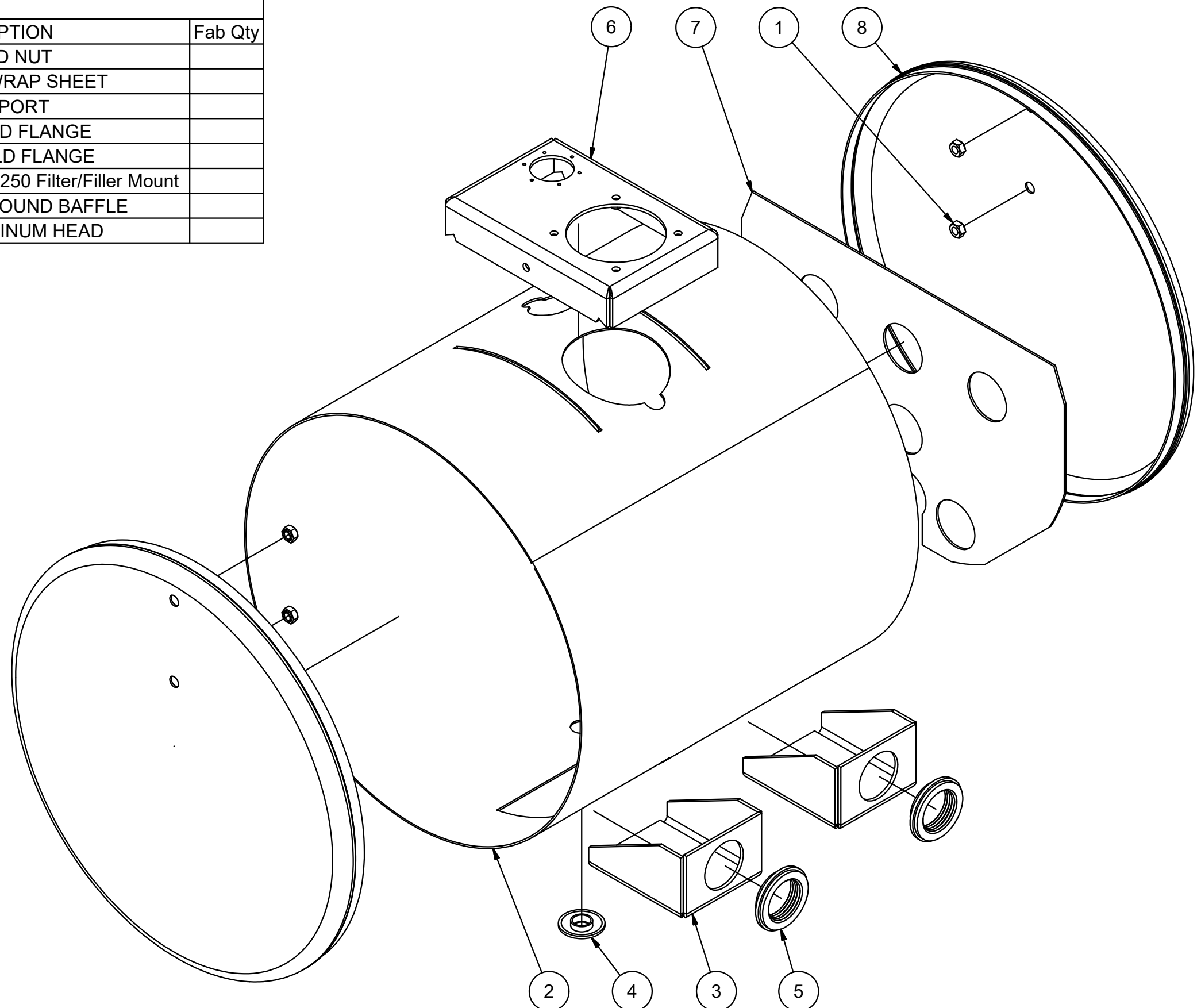
3

2

1

Parts List

ITEM	QTY	PART NUMBER	DESCRIPTION	Fab Qty
1	4	0500-13-AWN	1/2-13 ALUMINUM WELD NUT	
2	1	A4500-2S90-STRFW	.100 MILL ALUMINUM WRAP SHEET	
3	2	A4500-2S90SP	.190 MILL AL SUCTION PORT	
4	1	AWF0750	3/4" NPTF 6061-T6 WELD FLANGE	
5	2	AWF2000	2" NPT ALUMINUM WELD FLANGE	
6	1	N_A45RF12FBM	NAM WELDMENT: LIT-1250 Filter/Filler Mount	
7	1	SA0000BF	.125 MILL ALUMINUM ROUND BAFFLE	
8	2	SA0000ST	24 IN X .100 MILL ALUMINUM HEAD	



B

B

A

A

AMERICAN MOBILE POWER <small>PH: (800) 634-8265 FAX: (765) 948-3403</small>	DRAWING BY: BPKNIGHT	DESIGN FOR: AMP	FILE NAME: A4500-2S90-STRF	
	COMPLETED: 9/26/2013		SHEET: 3 of 7	SHEET SIZE: B

4

3

2

1