

4

3

2

1

Parts List

ITEM	QTY	PART NUMBER	DESCRIPTION
1	2	0500BBS	Black Buffer Seal 1.0 OD x .5 ID x .10 Neoprene
2	2	24107	Button Head, Hex, 1/2-13 UNC x 0.75
3	1	57XL-40	40 Micron FILL w/30 Mesh Stainless Strainer
4	1	ABA-138	3/8" NPT VENT
5	1	APP0750-M	3/4" NPT MAG PLUG
6	1	N_A4500-2S90-ST	NAM WELDMENT ~35.72 lbs
7	1	T-LLG-5	SIGHT/TEMP. GAUGE, 5"

AMP PARTS INCLUDE:

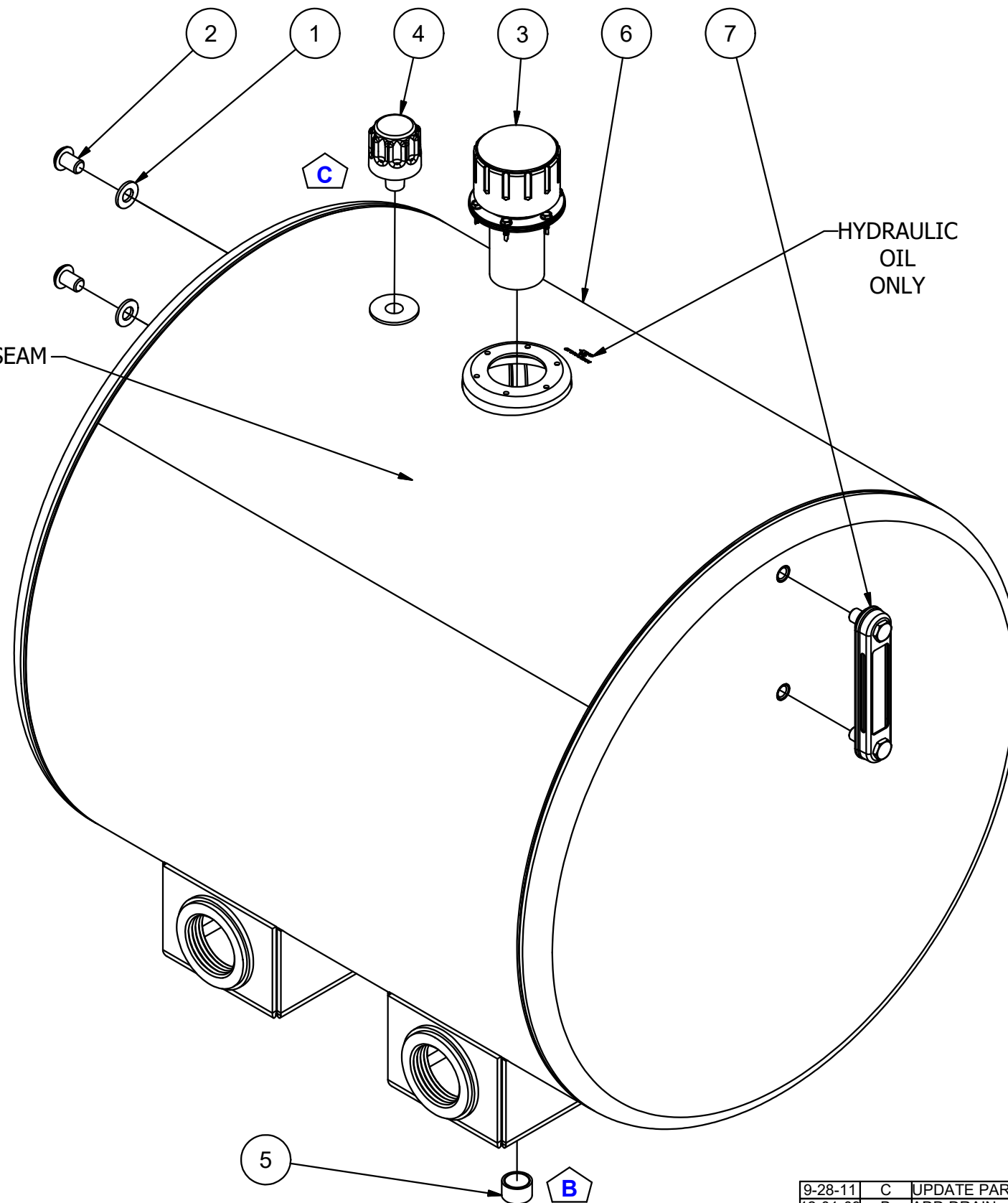
-AMK-624-C MOUNTING KIT (STD) OR -S (UPGRADE)

NOTE:

-PLUG ALL PORTS FOR SHIPMENT

S/N BETWEEN FILL & SEAM

HYDRAULIC OIL ONLY



WT: ~37.03 lbs

DATE	SYM.	DESCRIPTION	BY
9-28-11	C	UPDATE PARTS LIST	BPK
12-01-09	B	ADD DRAIN	BPK

REVISIONS

AMERICAN MOBILE POWER PH: (800) 634-8265 FAX: (765) 948-3403	DRAWING BY: BPKNIGHT	DESIGN FOR: AMP	FILE NAME: A4500-2S90-ST	
	COMPLETED: 8/31/2007		SHEET: 1 of 6	SHEET SIZE: B

4

3

2

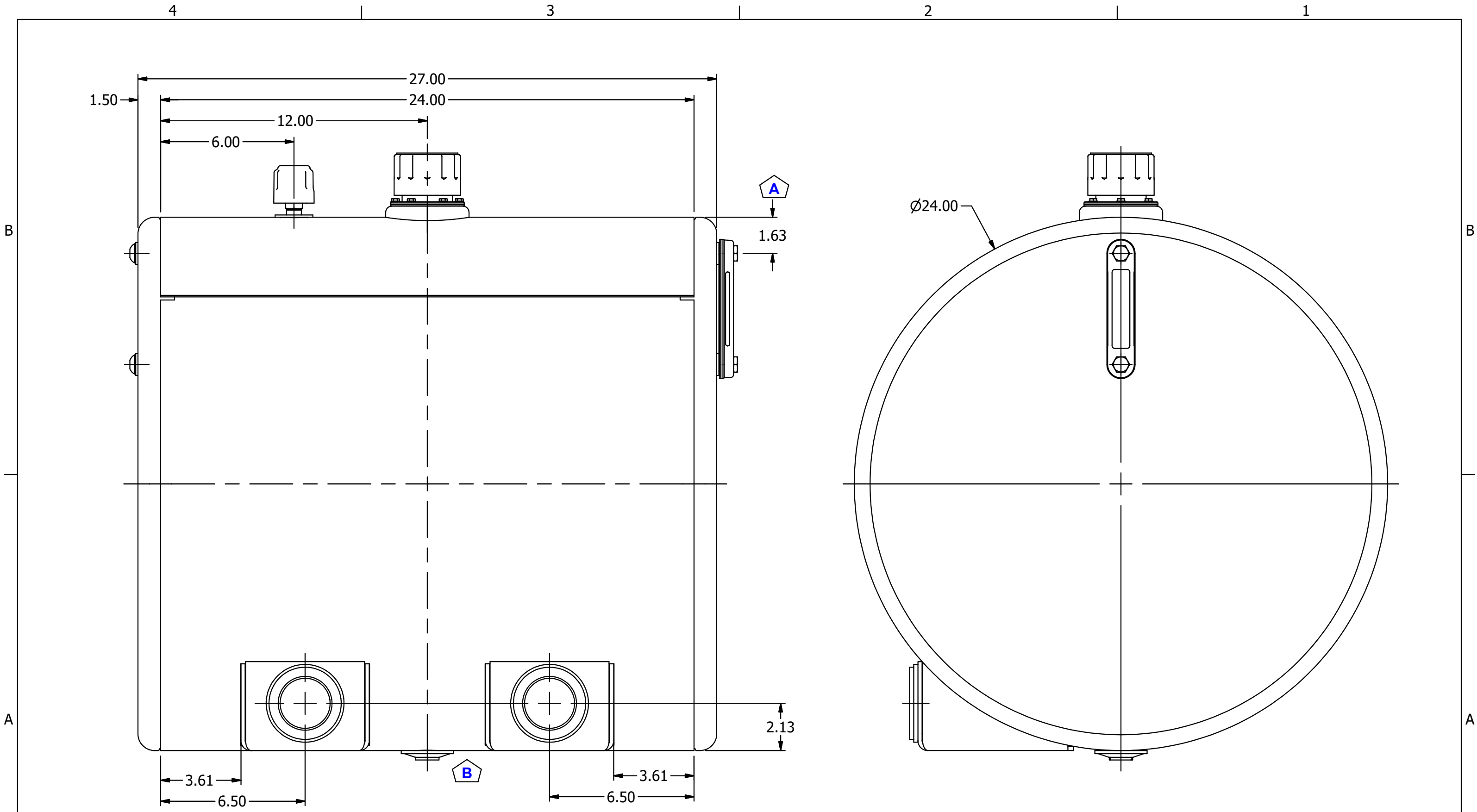
1

A

A

B

B



DATE	SYM.	DESCRIPTION	BY
12-01-09	B	ADD DRAIN	BPK
4-20-09	A	WAS 2.00	BPK

**AMERICAN
MOBILE POWER**

PH: (800) 634-8265 FAX: (765) 948-3403

DRAWING BY:
BPKNIGHT

COMPLETED:
8/31/2007

DESIGN FOR:
AMP

FILE NAME:
A4500-2S90-ST

SHEET:
2 of 6

SHEET SIZE:
B

4

3

2

1

Parts List

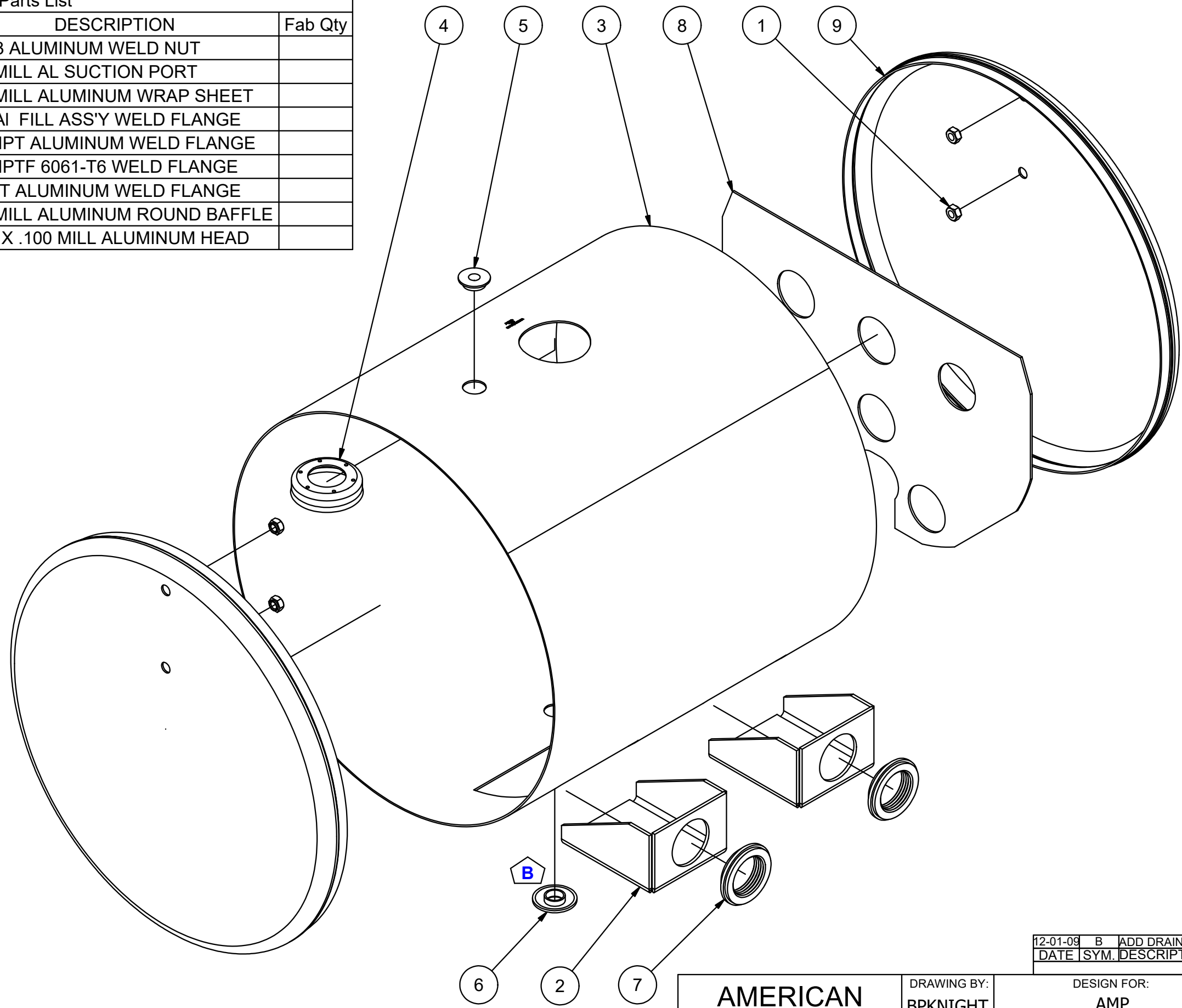
ITEM	QTY	PART NUMBER	DESCRIPTION	Fab Qty
1	4	0500-13-AWN	1/2-13 ALUMINUM WELD NUT	
2	2	A4500-2S90SP	.190 MILL AL SUCTION PORT	
3	1	A4500-2S90WS	.100 MILL ALUMINUM WRAP SHEET	
4	1	AFA-401	.100 AI FILL ASS'Y WELD FLANGE	
5	1	AWF0375SA	3/8" NPT ALUMINUM WELD FLANGE	
6	1	AWF0750	3/4" NPTF 6061-T6 WELD FLANGE	
7	2	AWF2000	2" NPT ALUMINUM WELD FLANGE	
8	1	SA0000BF	.125 MILL ALUMINUM ROUND BAFFLE	
9	2	SA0000ST	24 IN X .100 MILL ALUMINUM HEAD	

B

B

A

A



DATE	SYM.	DESCRIPTION	BY
12-01-09	B	ADD DRAIN	BPK

REVISIONS

AMERICAN MOBILE POWER PH: (800) 634-8265 FAX: (765) 948-3403	DRAWING BY: BPKNIGHT	DESIGN FOR: AMP	FILE NAME: A4500-2S90-ST	
	COMPLETED: 8/31/2007	SHEET: 3 of 6	SHEET SIZE: B	

4

3

2

1