

4

3

2

1

Parts List

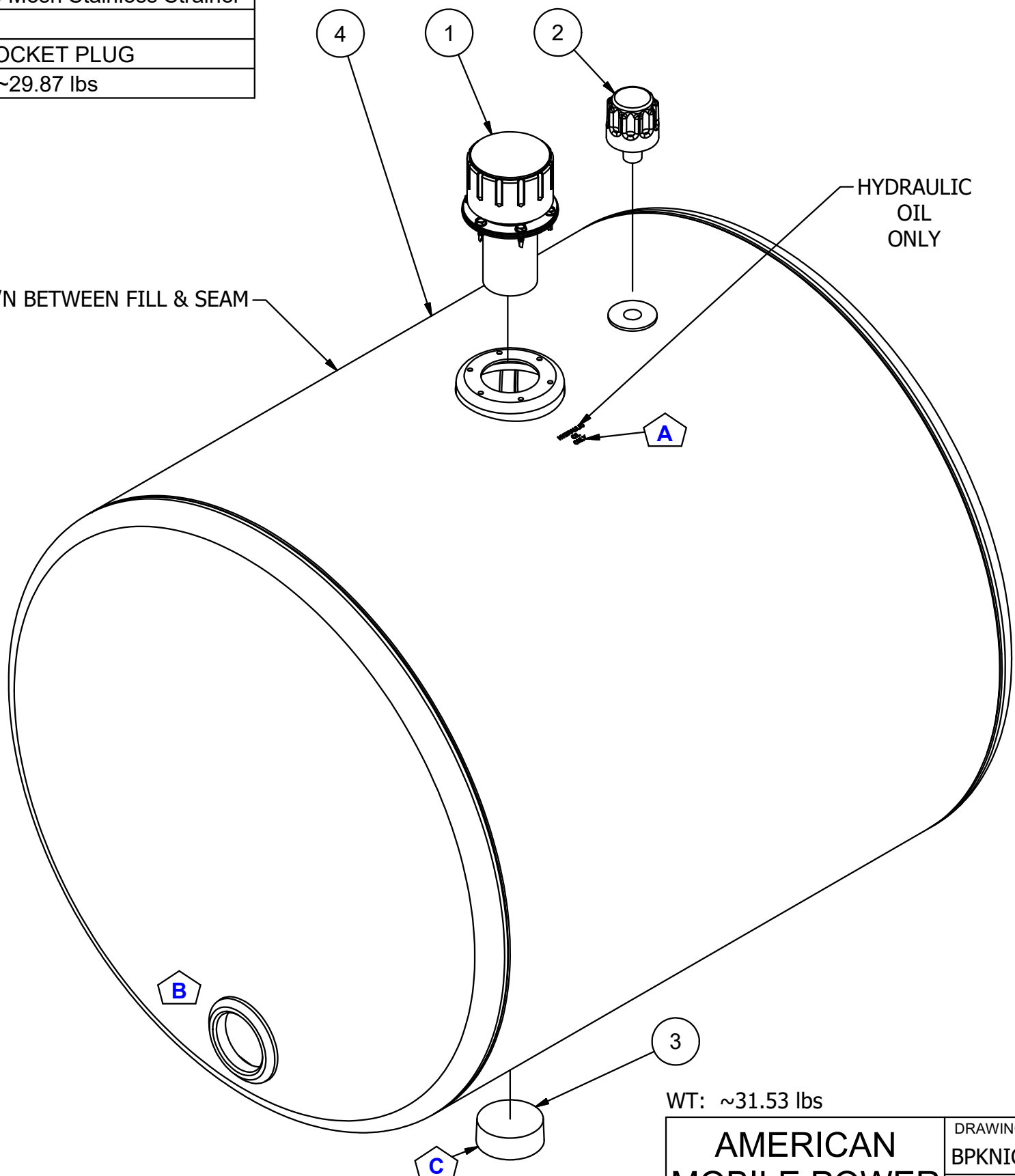
ITEM	QTY	PART NUMBER	DESCRIPTION
1	1	57XL-40	40 Micron FILL w/30 Mesh Stainless Strainer
2	1	ABA-138	3/8" NPT VENT
3	1	APP2000	2" NPT SQUARE SOCKET PLUG
4	1	N_A4500-2	NAM WELDMENT ~29.87 lbs

AMP PARTS INCLUDE:
 -AMK-624-C MOUNTING KIT (STD) OR -S (UPGRADE)

NOTE:
 -PLUG ALL PORTS FOR SHIPMENT

S/N BETWEEN FILL & SEAM

HYDRAULIC OIL ONLY



WT: ~31.53 lbs

DATE	SYM.	DESCRIPTION	BY
12-9-16	C	SHOW PLUG & WT:	BPK
10-3-08	B	RAISED PORTS .125"	BPK
8-20-07	A	ADDED "HYDRAULIC OIL ONLY" STAMP	BPK

AMERICAN MOBILE POWER PH: (800) 634-8265 FAX: (765) 948-3403	DRAWING BY: BPKNIGHT	DESIGN FOR: AMP	FILE NAME: A4500-2	
	COMPLETED: 3/25/2005		SHEET: 1 of 5	SHEET SIZE: B

4

3

2

1

A

A

B

B

4

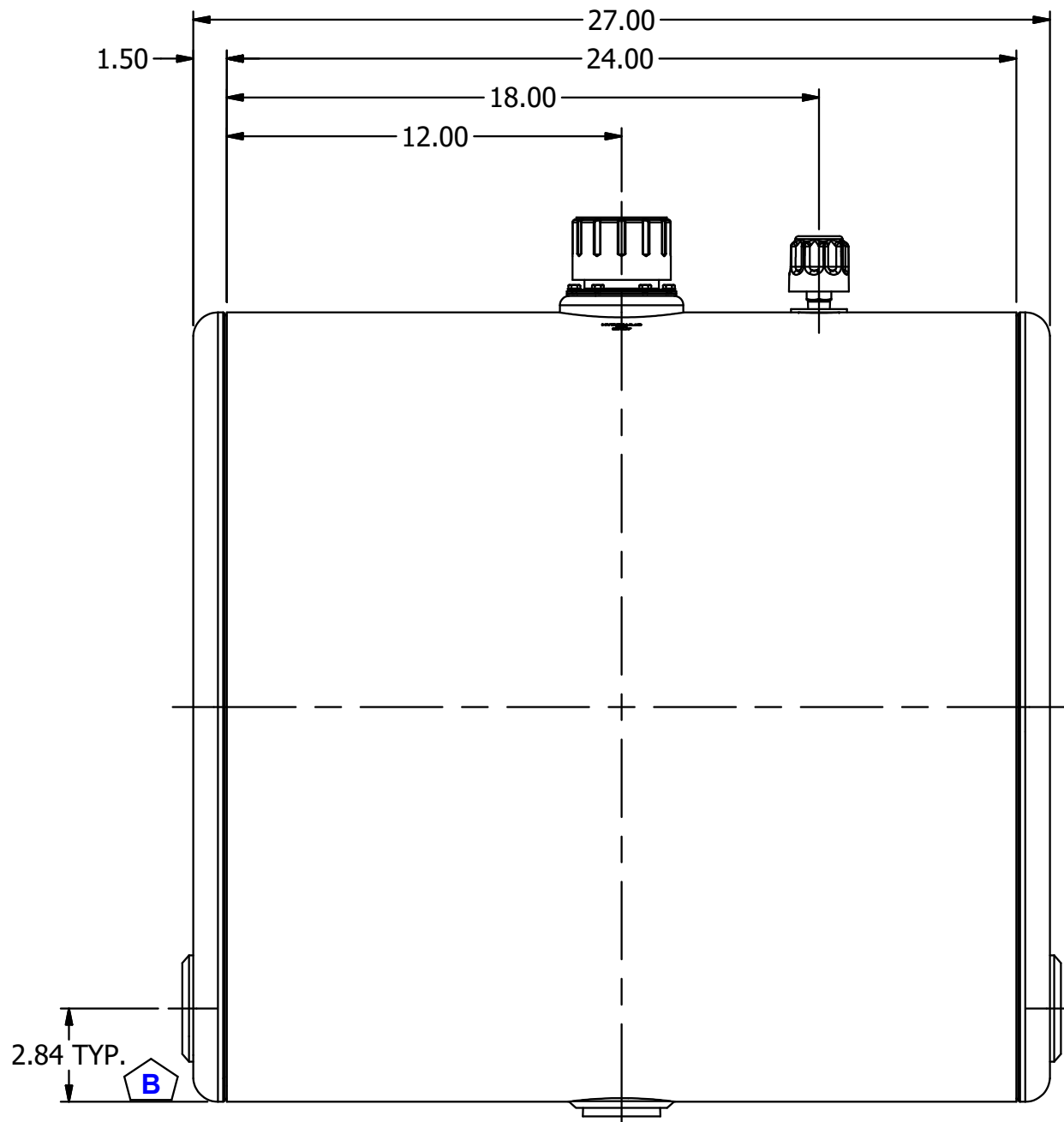
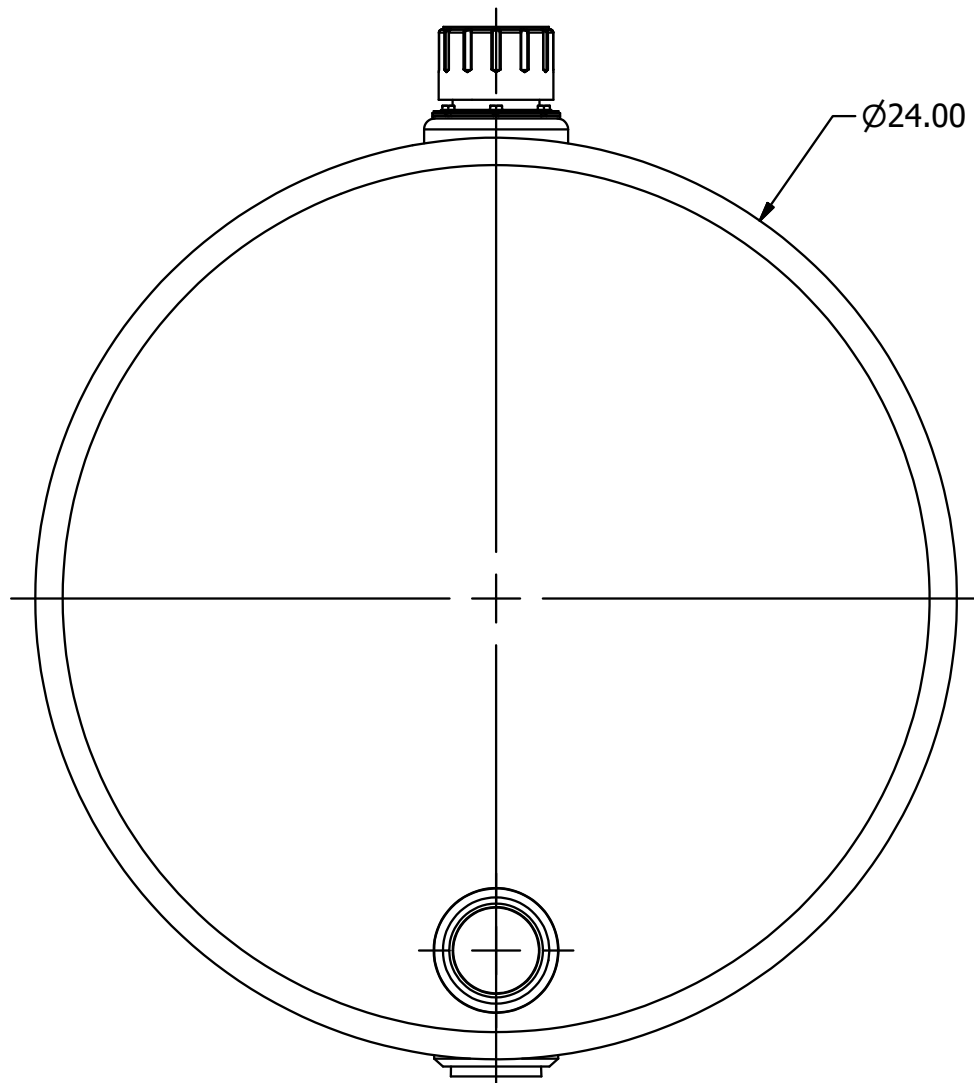
3

2

1

B

B



A

A

DATE	SYM.	DESCRIPTION	BY
10-3-08	B	RAISED PORTS .125"	BPK
REVISIONS			

**AMERICAN
MOBILE POWER**

PH: (800) 634-8265 FAX: (765) 948-3403

DRAWING BY:
BPKNIGHT
COMPLETED:
3/25/2005

DESIGN FOR:
AMP

FILE NAME:
A4500-2
SHEET:
2 of 5
SHEET SIZE:
B

4

3

2

1

4

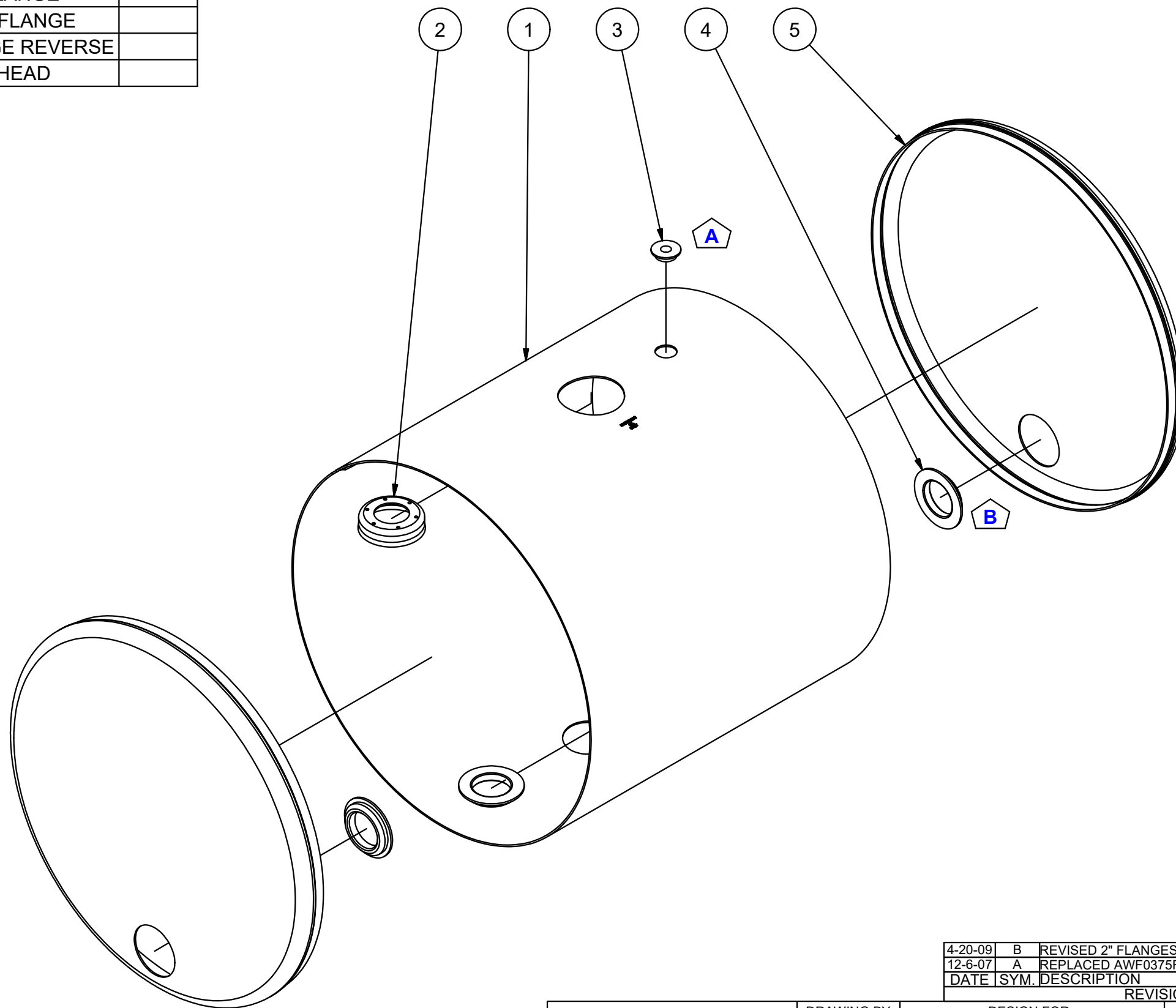
3

2

1

Parts List

ITEM	QTY	PART NUMBER	DESCRIPTION	Fab Qty
1	1	A4500-2WS	.100 MILL ALUMINUM WRAP SHEET	
2	1	AFA-401	.100 AI FILL ASS'Y WELD FLANGE	
3	1	AWF0375SA	3/8" NPT ALUMINUM WELD FLANGE	
4	3	AWF2000RM	2" NPT ALUM. WELD FLANGE REVERSE	
5	2	SA2000RMNS	24 IN .100 MILL ALUMINUM HEAD	



DATE	SYM.	DESCRIPTION	BY
4-20-09	B	REVISED 2" FLANGES	BPK
12-6-07	A	REPLACED AWF0375RM	BPK

REVISIONS

AMERICAN MOBILE POWER PH: (800) 634-8265 FAX: (765) 948-3403	DRAWING BY: BPKNIGHT	DESIGN FOR: AMP	FILE NAME: A4500-2	
	COMPLETED: 3/25/2005		SHEET: 3 of 5	SHEET SIZE: B

4

3

2

1

B

B

A

A