

		Parts List	
ITEM	QTY	PART NUMBER	DESCRIPTION
1	8	13209	1/2-13 UNC x 1.5 Hex Cap Screw
2	16	33224	1/2 I.D. x 1-1/4 O.D. FLAT WASHER
3	8	37030	1/2 Std NC Nylock Nut
4	1	A4070	AMP ASSEMBLY ~67 1/4 lbs (REF. ONLY)
5	1	ABK-340-S	A4070 MOUNTING KIT ASS'Y
6	2	MK-FC	1/4x8x4 TRUCK FRAME CHANNEL (REF. ONLY)

NOTE: STRAPS SHOWN FOLDED FOR REFERENCE ONLY; SHIPPED FLAT.
 MATCH-DRILL MOUNTING TRAY AND FRAME RAILS AT ASSEMBLY.
 ABK-340-S SHOWN ON SEPARATE DRAWING.

DATE	SYM.	DESCRIPTION	BY
1-4-19	A	UPDATED ASS'Y & RECONFIGURED IDW	BPK

AMERICAN MOBILE POWER PH: (800) 634-8265 FAX: (765) 948-3403	DRAWING BY: BPKNIGHT	DESIGN FOR: AMP	FILE NAME: A4070MK	
	COMPLETED: 9/4/2007		SHEET: 1 of 2	SHEET SIZE: B

4

3

2

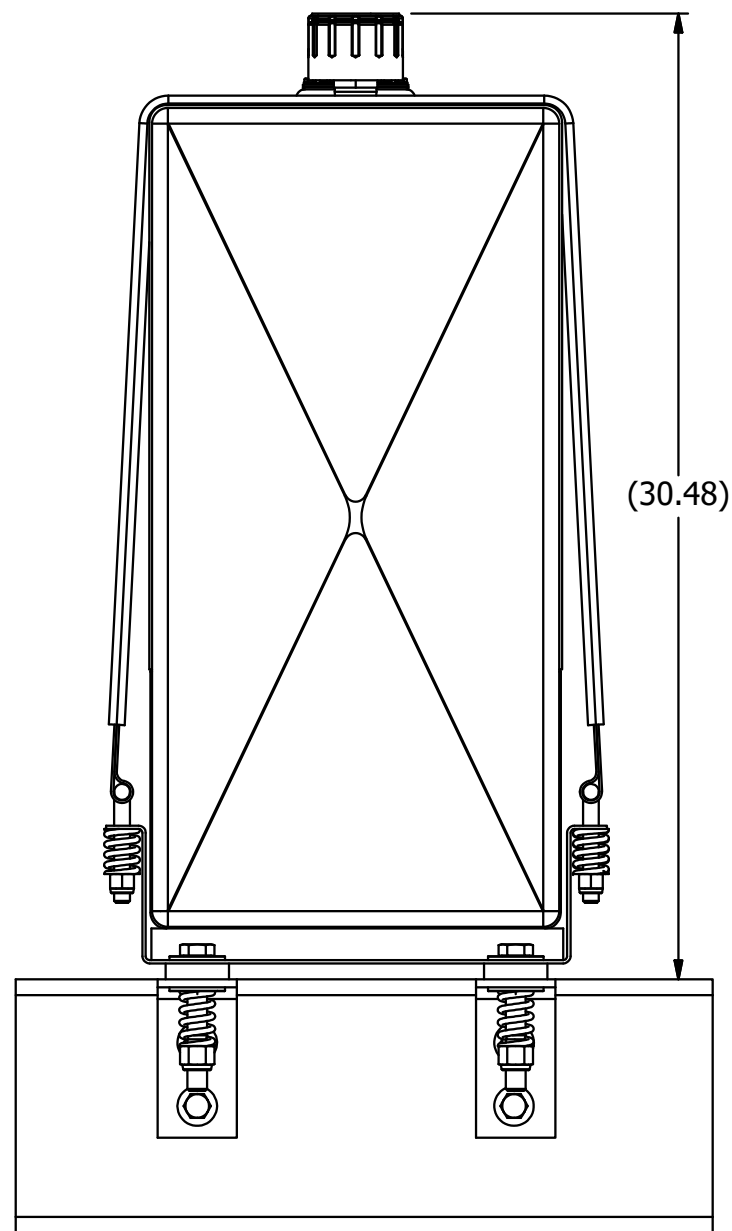
1

B

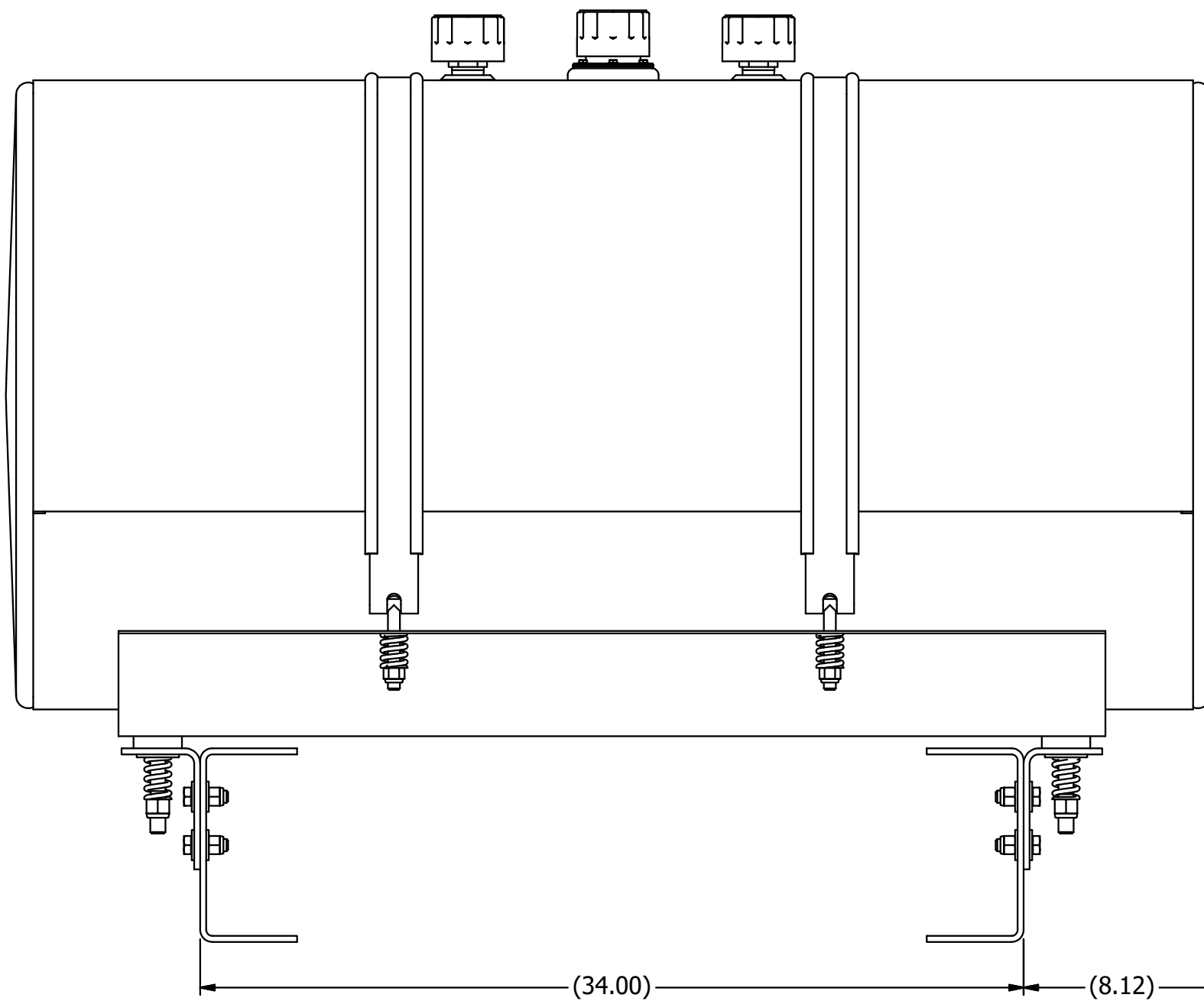
B

A

A

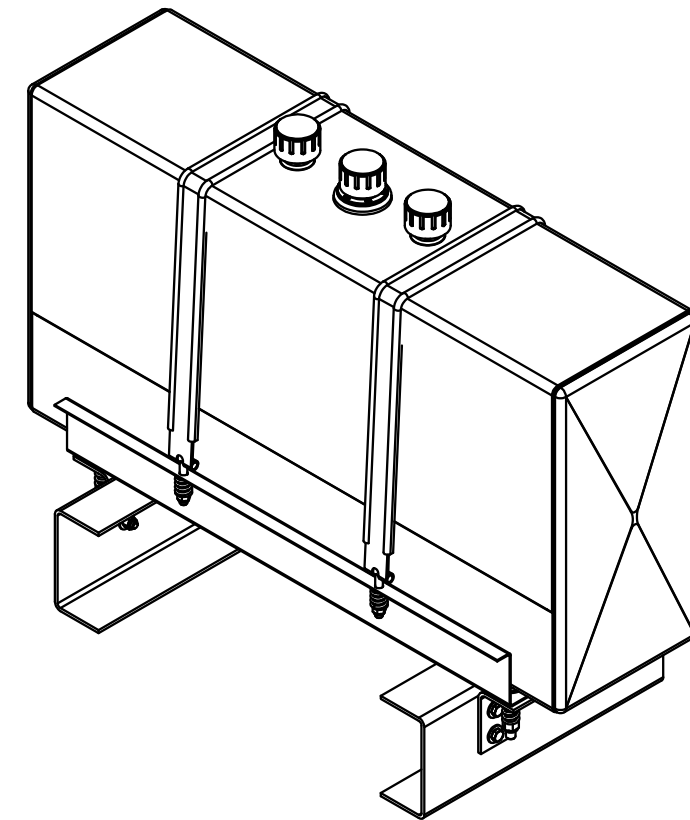


(30.48)



(34.00)

(8.12)



AMERICAN MOBILE POWER <small>PH: (800) 634-8265 FAX: (765) 948-3403</small>	DRAWING BY: BPKNIGHT	DESIGN FOR: AMP	FILE NAME: A4070MK	
	COMPLETED: 9/4/2007		SHEET: 2 of 2	SHEET SIZE: B

4

3

2

1