

4

3

2

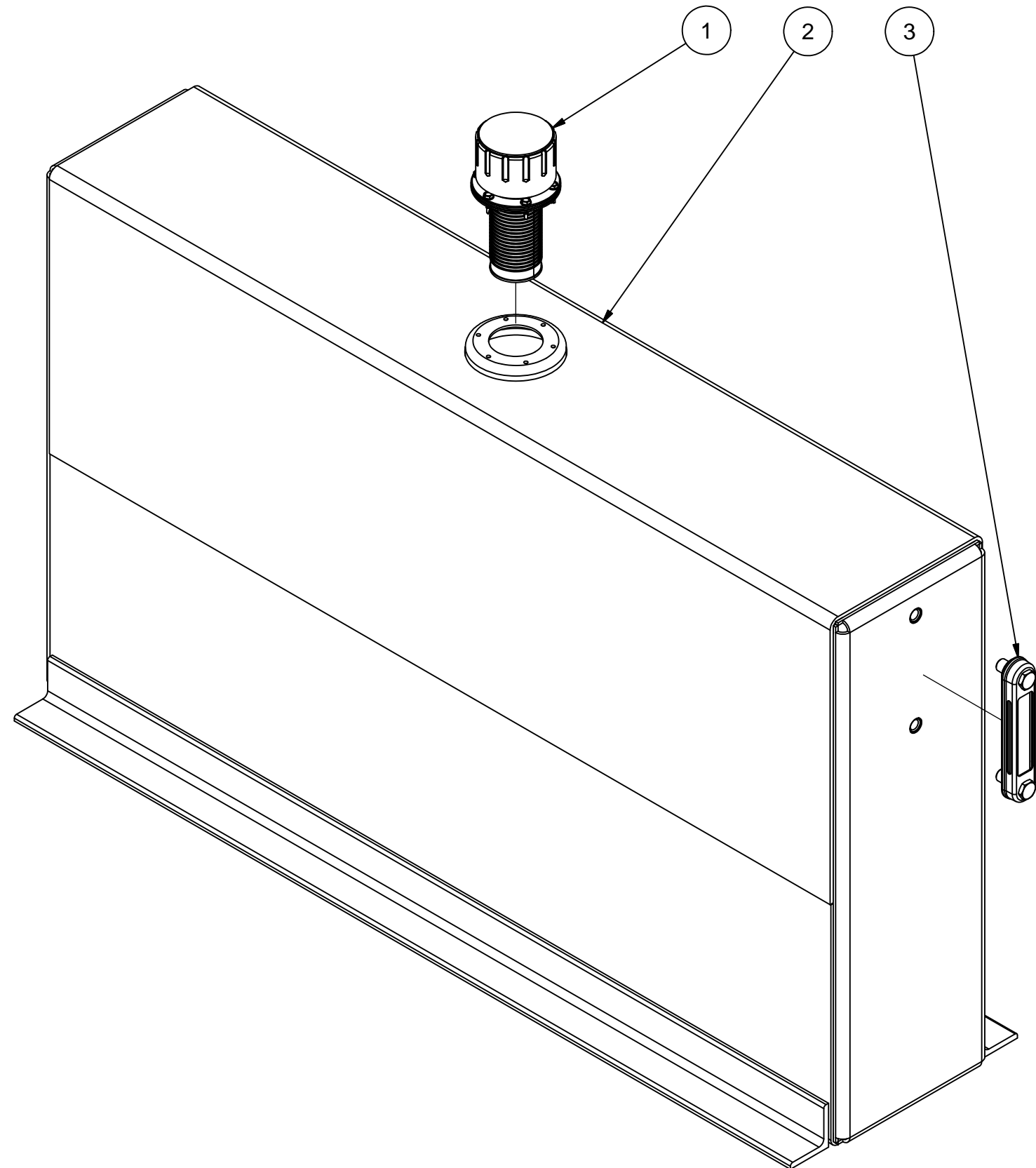
1

Parts List			
ITEM	QTY	PART NUMBER	DESCRIPTION
1	1	57XL-40N	40 MICRON FILL W/NYLON STRAINER
2	1	N_A4035-ST	NAM WELDMENT ~53 1/2 lbs
3	1	T-LLG-5	SIGHT/TEMP. GAUGE, 5"

AMP PARTS INCLUDE:
-ASK-200 MOUNTING KIT



NOTE:
-PLUG ALL PORTS FOR SHIPMENT



DATE	SYM.	DESCRIPTION	BY
3-8-11	A	LENGTHEN HORIZONTAL BAFFLE	BPK

AMERICAN MOBILE POWER PH: (800) 634-8265 FAX: (765) 948-3403	DRAWING BY: BPKNIGHT	DESIGN FOR: AMP	FILE NAME: A4035-ST	
	COMPLETED: 4/13/2010		SHEET: 1 of 10	SHEET SIZE: B

4

3

2

1

B

B

A

A

4

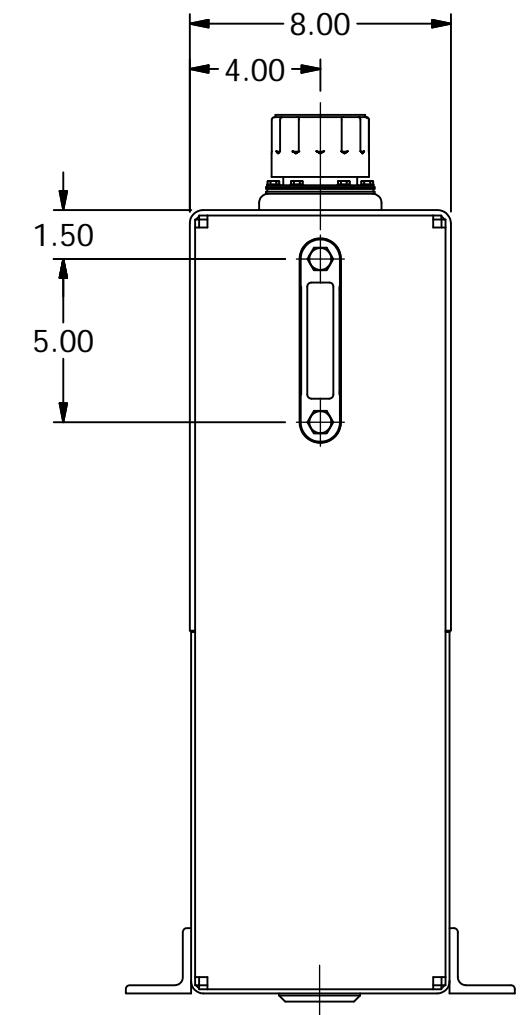
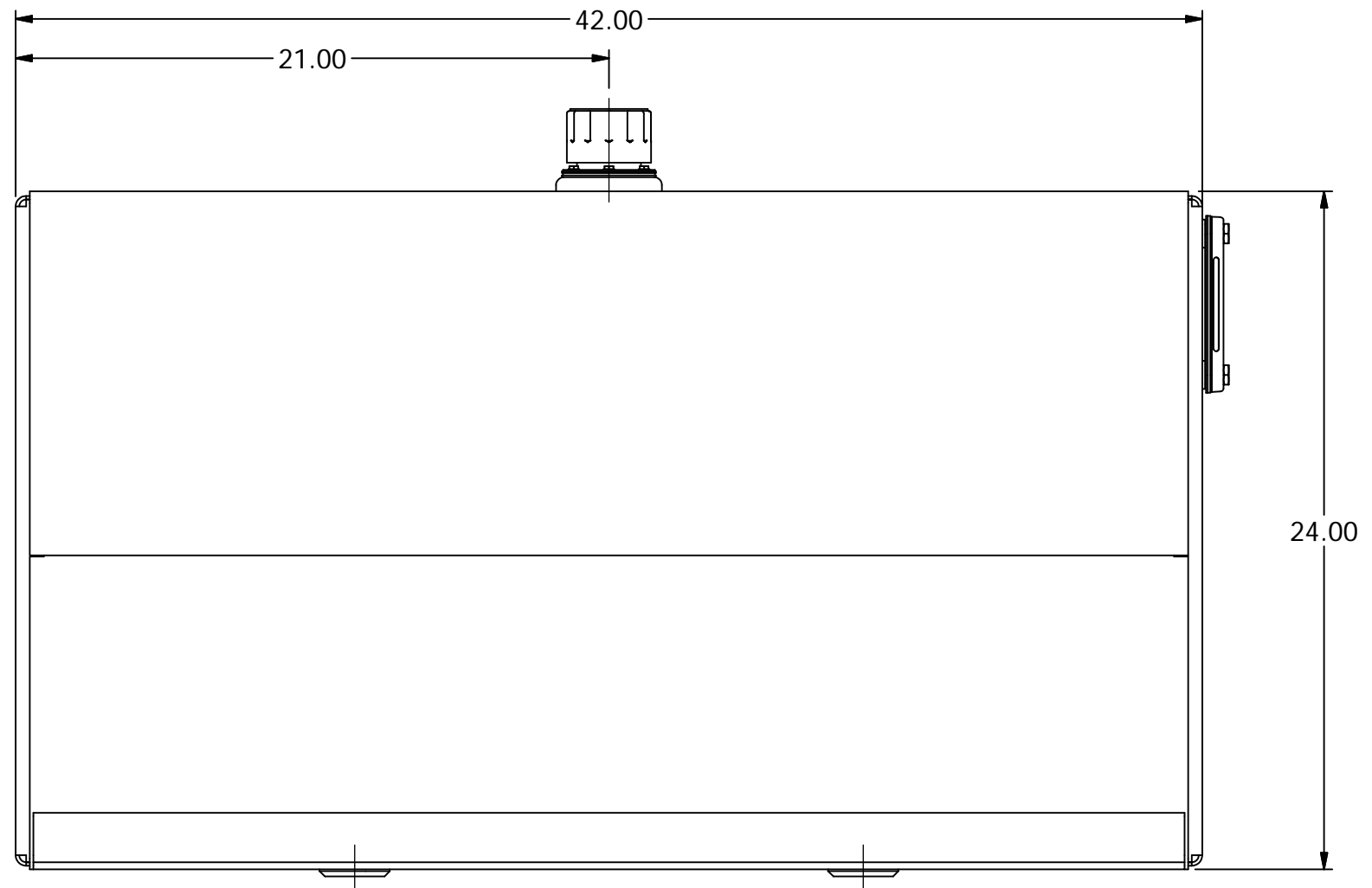
3

2

1

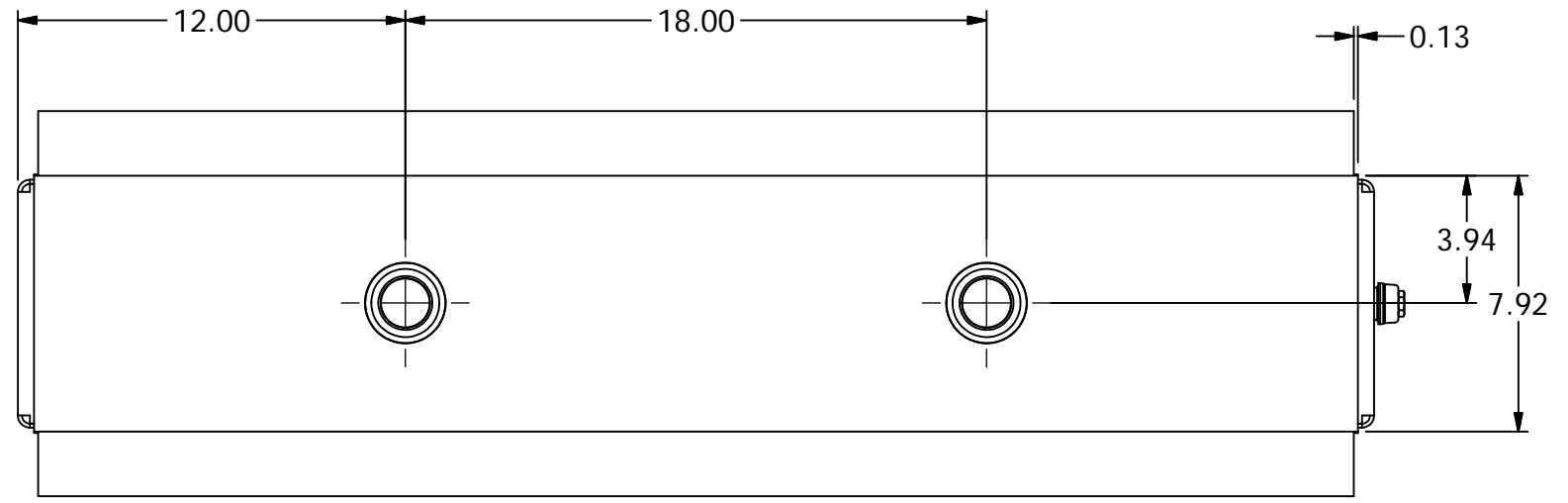
B

B



A

A



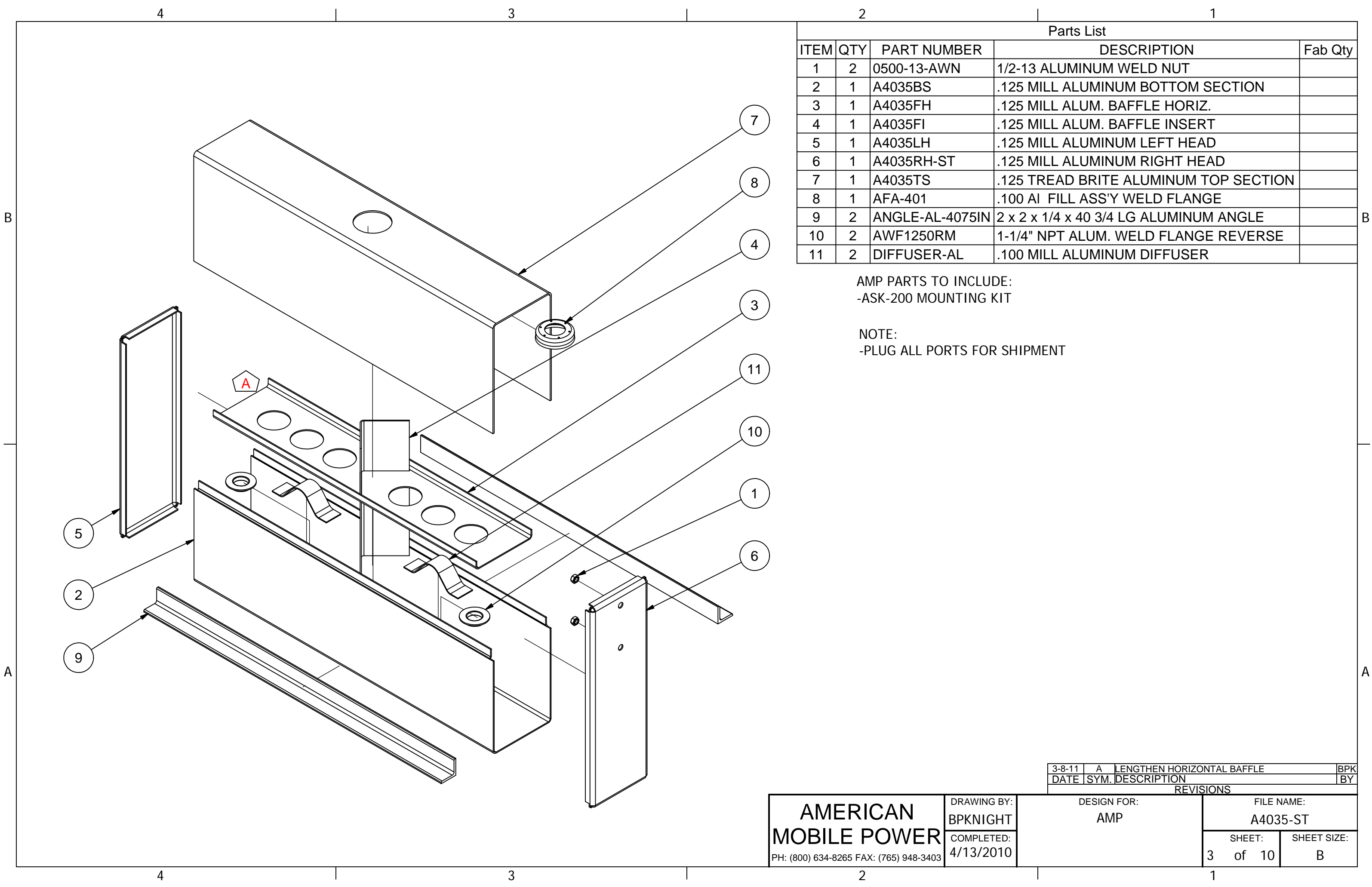
4

3

2

1

AMERICAN MOBILE POWER PH: (800) 634-8265 FAX: (765) 948-3403	DRAWING BY: BPKNIGHT	DESIGN FOR: AMP	FILE NAME: A4035-ST	
	COMPLETED: 4/13/2010		SHEET: 2 of 10	SHEET SIZE: B



Parts List				
ITEM	QTY	PART NUMBER	DESCRIPTION	Fab Qty
1	2	0500-13-AWN	1/2-13 ALUMINUM WELD NUT	
2	1	A4035BS	.125 MILL ALUMINUM BOTTOM SECTION	
3	1	A4035FH	.125 MILL ALUM. BAFFLE HORIZ.	
4	1	A4035FI	.125 MILL ALUM. BAFFLE INSERT	
5	1	A4035LH	.125 MILL ALUMINUM LEFT HEAD	
6	1	A4035RH-ST	.125 MILL ALUMINUM RIGHT HEAD	
7	1	A4035TS	.125 TREAD BRITE ALUMINUM TOP SECTION	
8	1	AFA-401	.100 AI FILL ASS'Y WELD FLANGE	
9	2	ANGLE-AL-4075IN	2 x 2 x 1/4 x 40 3/4 LG ALUMINUM ANGLE	
10	2	AWF1250RM	1-1/4" NPT ALUM. WELD FLANGE REVERSE	
11	2	DIFFUSER-AL	.100 MILL ALUMINUM DIFFUSER	

AMP PARTS TO INCLUDE:
 -ASK-200 MOUNTING KIT

NOTE:
 -PLUG ALL PORTS FOR SHIPMENT

DATE	SYM.	DESCRIPTION	BY
3-8-11	A	LENGTHEN HORIZONTAL BAFFLE	BPK

AMERICAN MOBILE POWER PH: (800) 634-8265 FAX: (765) 948-3403	DRAWING BY: BPKNIGHT	DESIGN FOR: AMP	FILE NAME: A4035-ST	
	COMPLETED: 4/13/2010		SHEET: 3 of 10	SHEET SIZE: B