

4

3

2

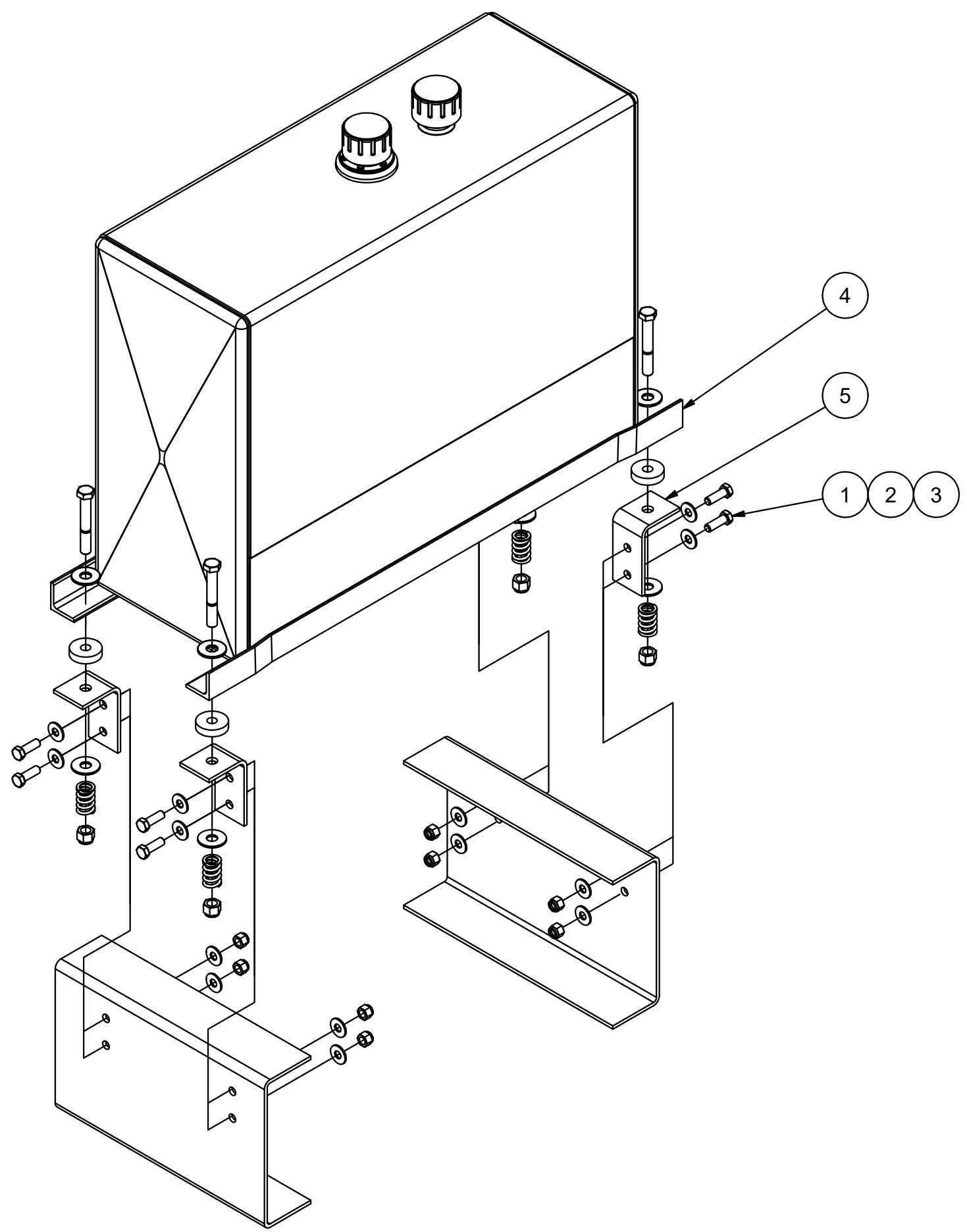
1

Parts List

ITEM	QTY	PART NUMBER	DESCRIPTION
1	8	13209	1/2-13 UNC x 1.5 Hex Cap Screw
2	16	33224	FlatWasher 1/2" Zinc 0.531 ID x 1.25 OD x 0.1 Thk
3	8	37030	1/2 Std NC Nylock Nut
4	1	A4000	AMP ASSEMBLY ~59 lbs
5	4	ASK-200	CHASSIS MOUNTING KIT
6	2	AUR-MK-FC11	1/4x11x4 TRUCK FRAME CHANNEL

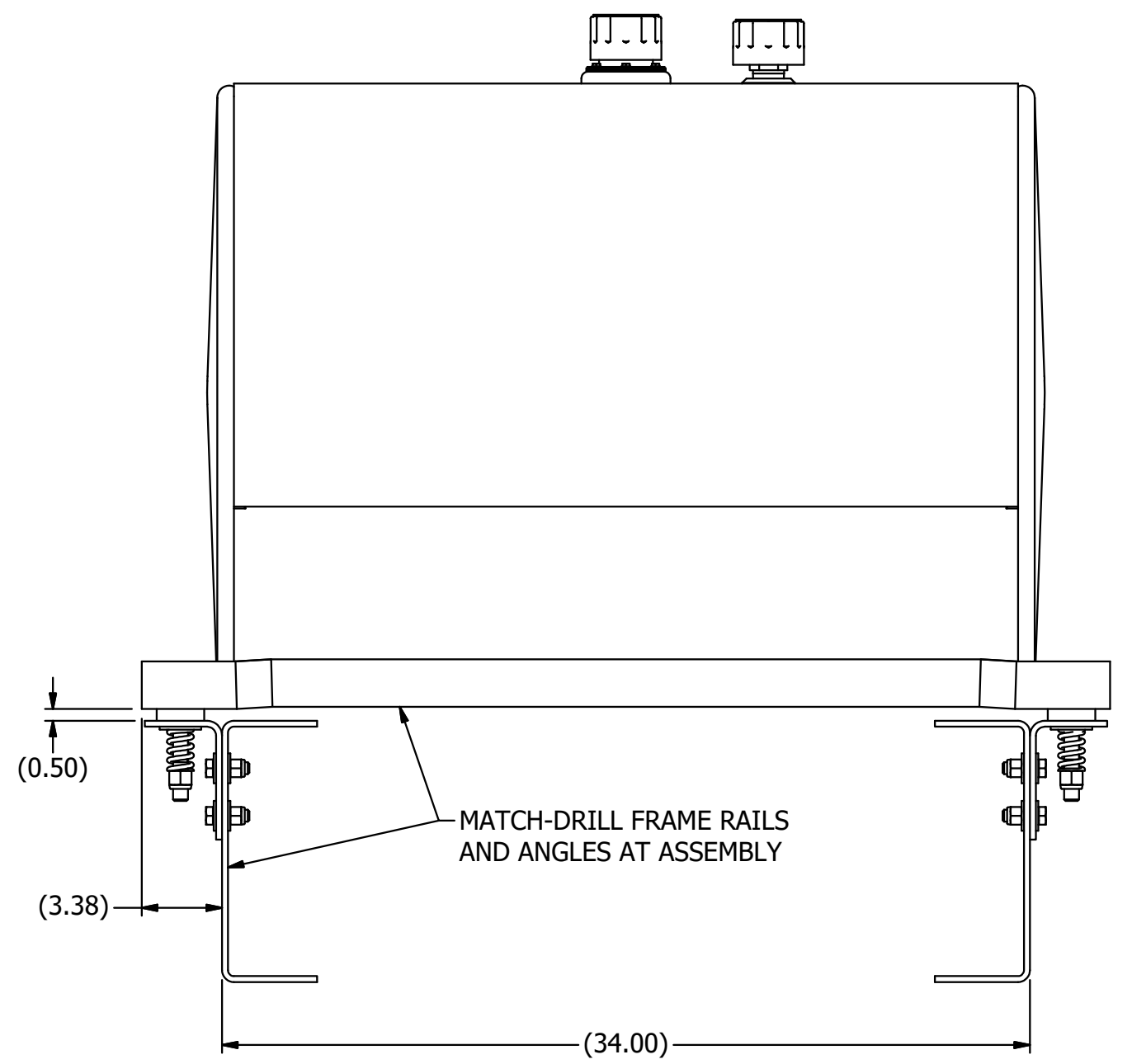
B

B



A

A



<b>AMERICAN MOBILE POWER</b> PH: (800) 634-8265 FAX: (765) 948-3403	DRAWING BY: BKNIGHT	DESIGN FOR: AMP	FILE NAME: A4000MK	
	COMPLETED: 1/7/2019		SHEET: 1 of 1	SHEET SIZE: B

4

3

2

1