

4

3

2

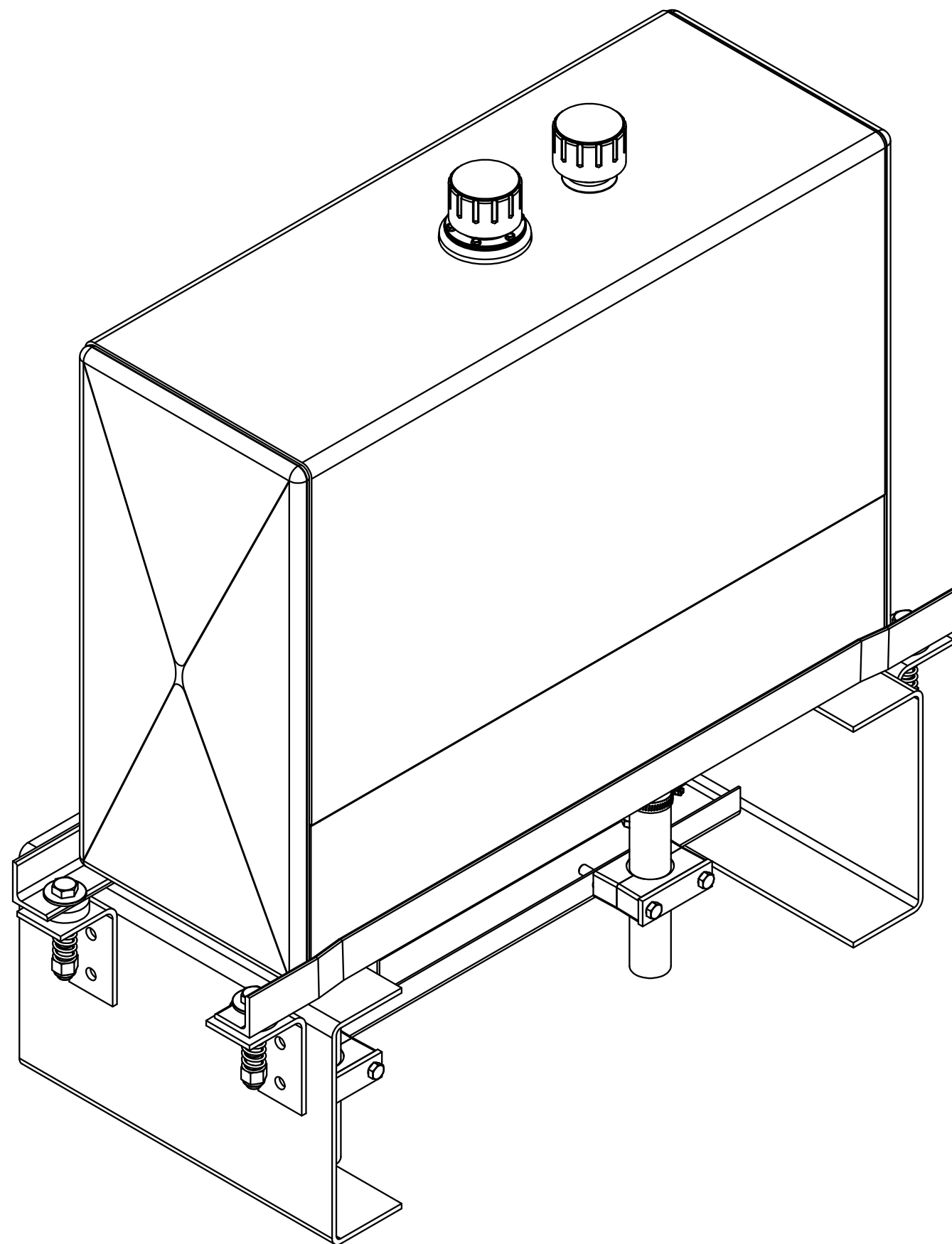
1

B

B

A

A



<b>AMERICAN MOBILE POWER</b> PH: (800) 634-8265 FAX: (765) 948-3403	DRAWING BY: <b>BPKNIGHT</b>	DESIGN FOR: <b>AMP</b>	FILE NAME: <b>A4000HMK</b>	
	COMPLETED: <b>9/5/2007</b>		SHEET: <b>1 of 4</b>	SHEET SIZE: <b>B</b>

4

3

2

1

4

3

2

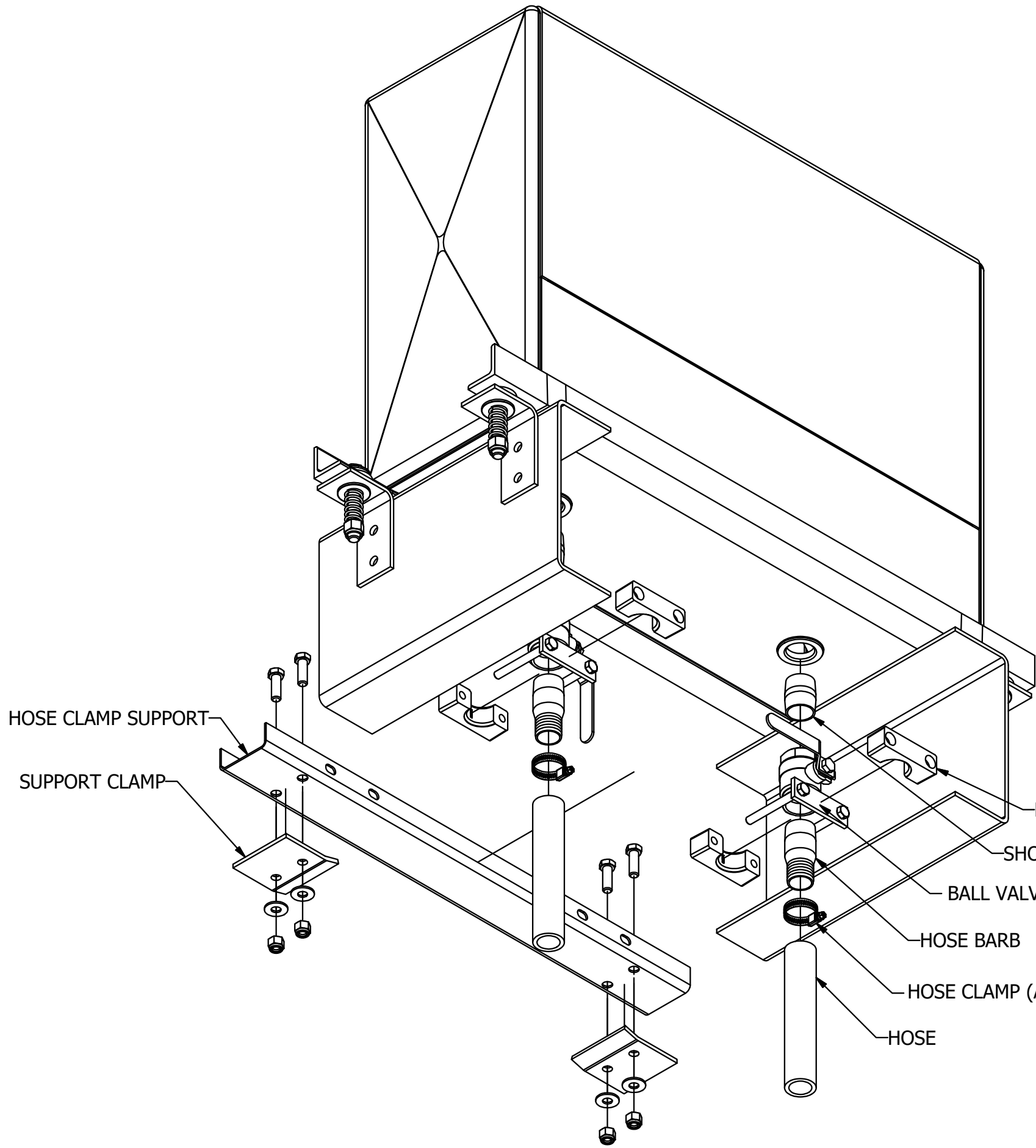
1

B

B

A

A



HOSE CLAMP SUPPORT

SUPPORT CLAMP

HOSE CLAMP

SHORT NIPPLE

BALL VALVE

HOSE BARB

HOSE CLAMP (ADJ)

HOSE

<b>AMERICAN MOBILE POWER</b> PH: (800) 634-8265 FAX: (765) 948-3403	DRAWING BY: <b>BPKNIGHT</b>	DESIGN FOR: <b>AMP</b>	FILE NAME: <b>A4000HMK</b>	
	COMPLETED: <b>9/5/2007</b>		SHEET: <b>2 of 4</b>	SHEET SIZE: <b>B</b>

4

3

2

1

4

3

2

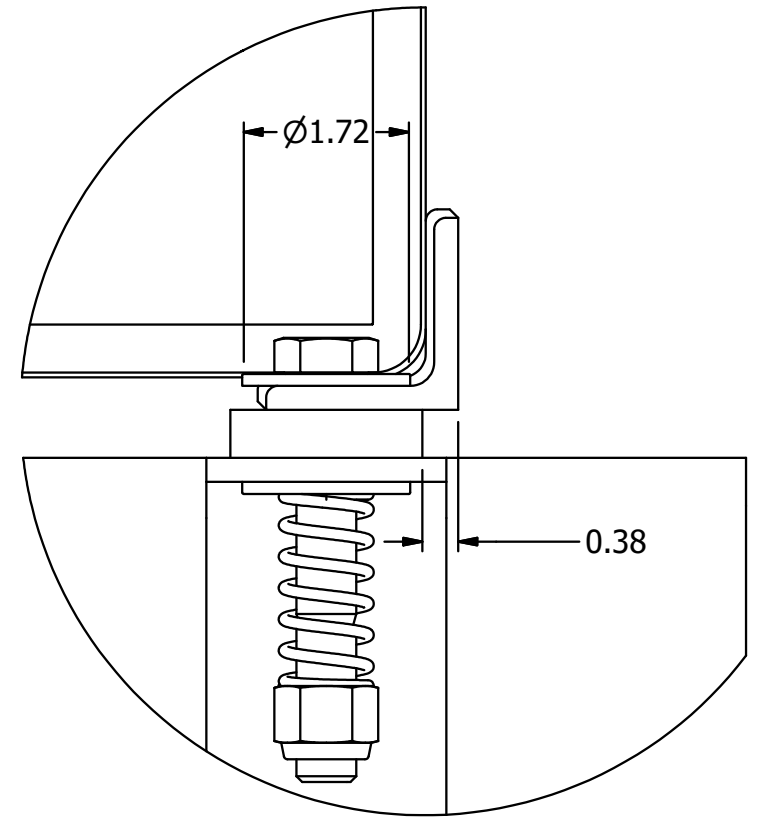
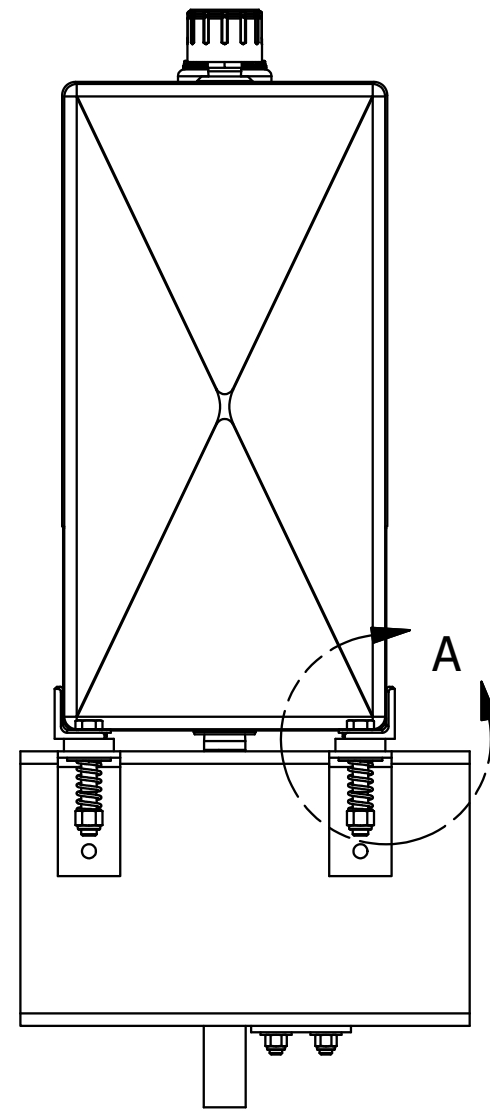
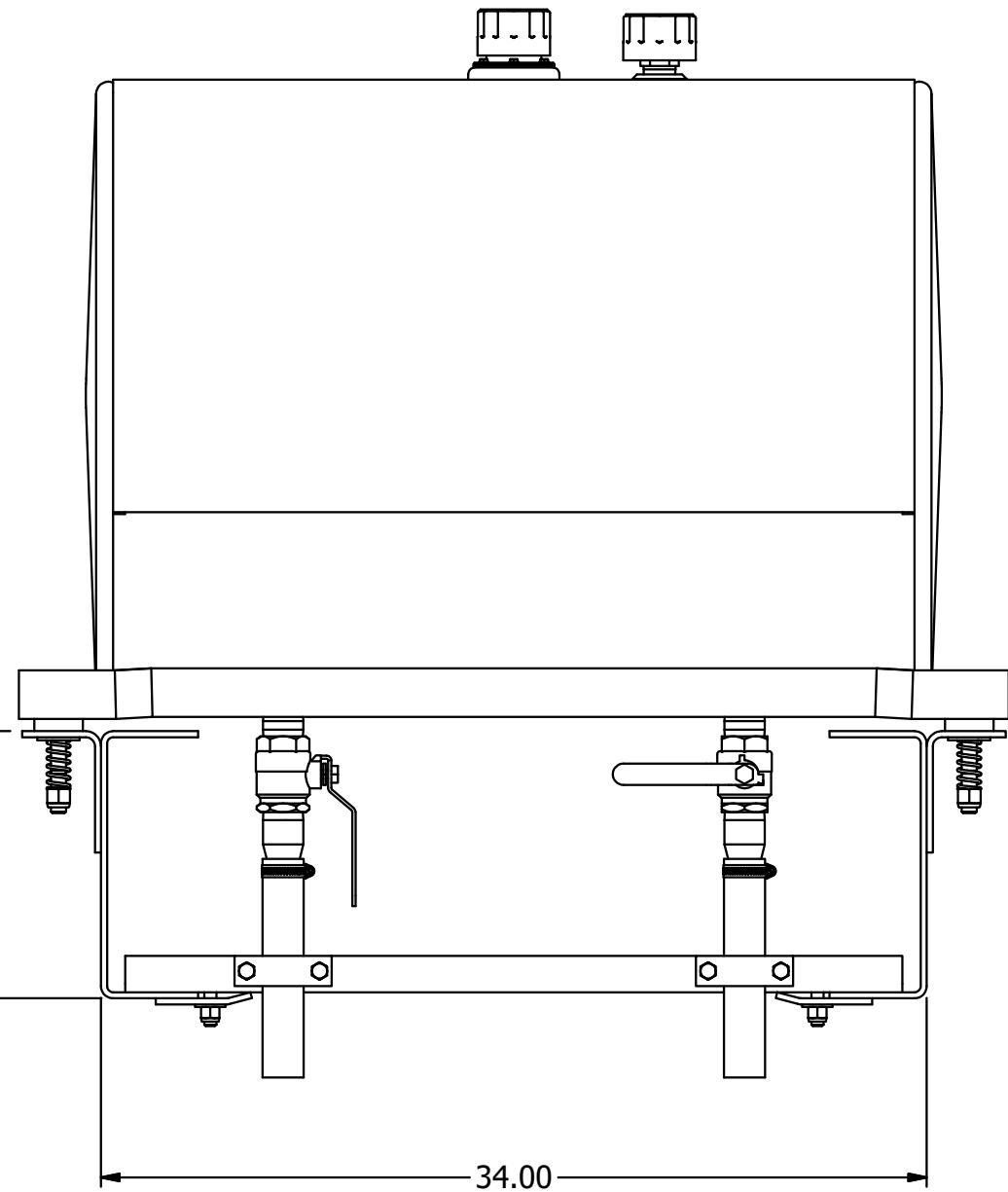
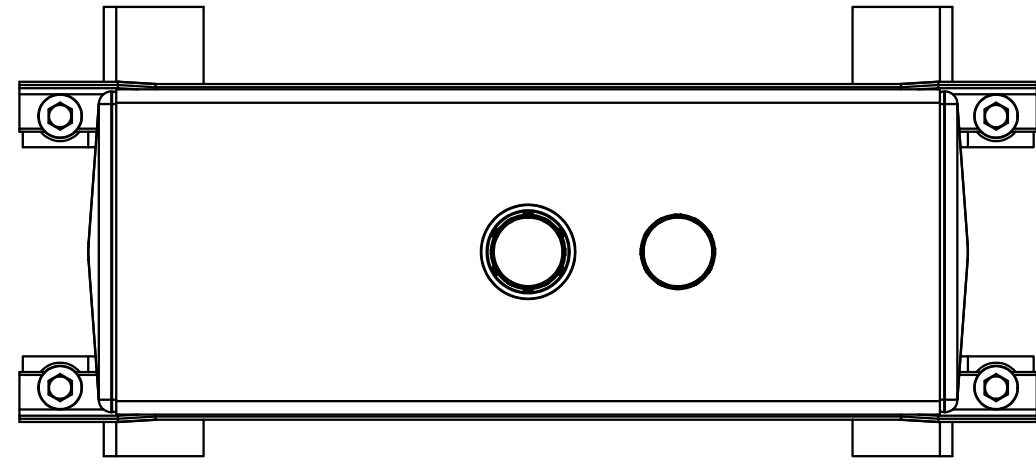
1

B

B

A

A



DETAIL A

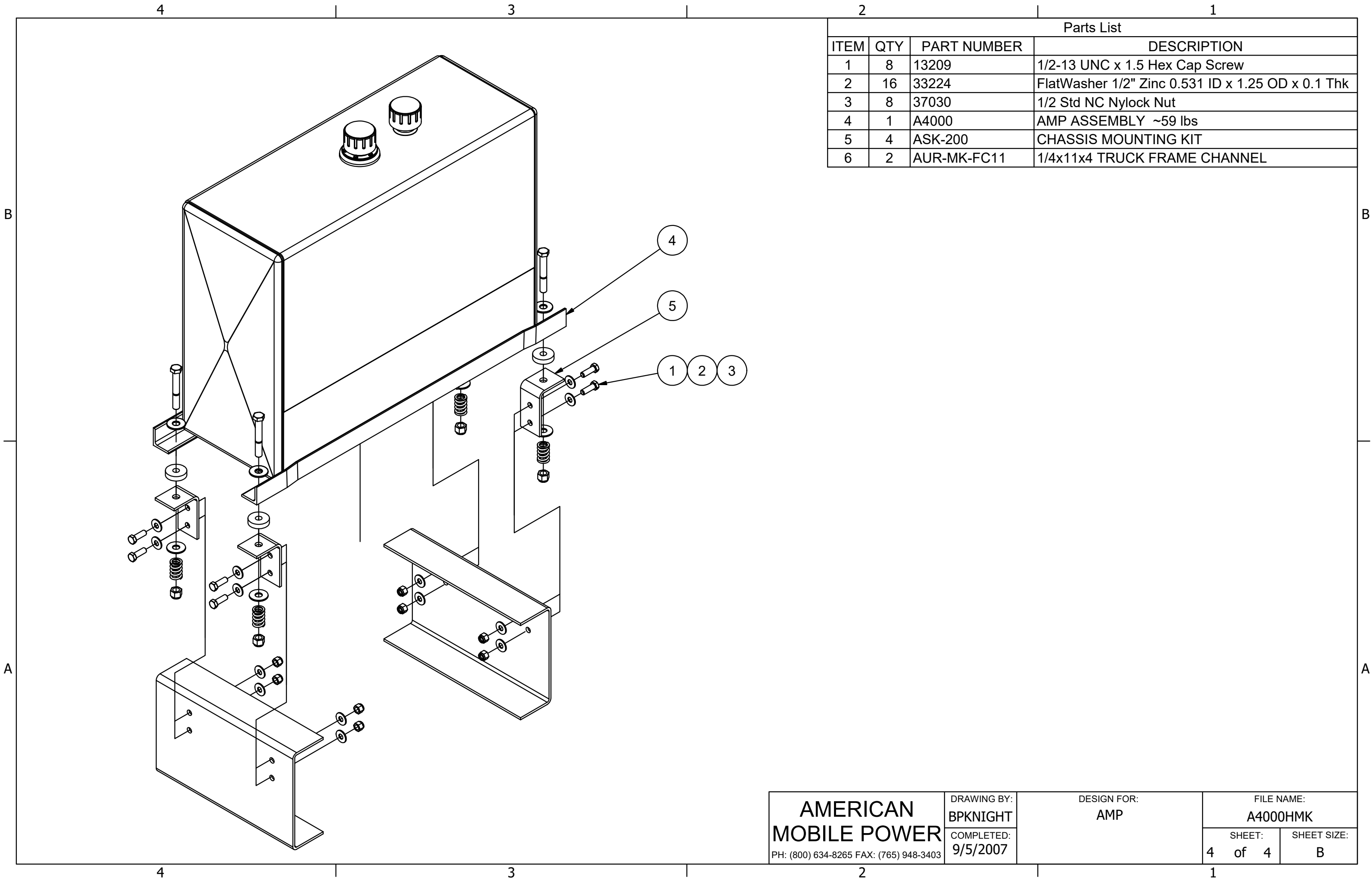
<b>AMERICAN MOBILE POWER</b> <small>PH: (800) 634-8265 FAX: (765) 948-3403</small>	DRAWING BY: <b>BPKNIGHT</b>	DESIGN FOR: <b>AMP</b>	FILE NAME: <b>A4000HMK</b>	
	COMPLETED: <b>9/5/2007</b>		SHEET: <b>3 of 4</b>	SHEET SIZE: <b>B</b>

4

3

2

1



Parts List			
ITEM	QTY	PART NUMBER	DESCRIPTION
1	8	13209	1/2-13 UNC x 1.5 Hex Cap Screw
2	16	33224	FlatWasher 1/2" Zinc 0.531 ID x 1.25 OD x 0.1 Thk
3	8	37030	1/2 Std NC Nylock Nut
4	1	A4000	AMP ASSEMBLY ~59 lbs
5	4	ASK-200	CHASSIS MOUNTING KIT
6	2	AUR-MK-FC11	1/4x11x4 TRUCK FRAME CHANNEL

<b>AMERICAN MOBILE POWER</b> PH: (800) 634-8265 FAX: (765) 948-3403	DRAWING BY: <b>BPKNIGHT</b>	DESIGN FOR: <b>AMP</b>	FILE NAME: <b>A4000HMK</b>	
	COMPLETED: <b>9/5/2007</b>		SHEET: <b>4 of 4</b>	SHEET SIZE: <b>B</b>