

Parts List			
ITEM	QTY	PART NUMBER	DESCRIPTION
1	1	57XL-40	40 Micron FILL w/30 Mesh Stainless Strainer
2	1	BF-16	1" NPT VENT
3	1	N_A4000-ST	NAM ASSEMBLY 57 1/2 lbs
4	1	T-LLG-5	SIGHT/TEMP. GAUGE, 5"

AMP PARTS TO INCLUDE:
-ASK-200 MOUNTING KIT

NOTE:
-PLUG ALL PORTS FOR SHIPMENT

DATE	SYM.	DESCRIPTION	BY
9-26-18	N/A	S/N WAS ON BOTTOM OF ANGLE	BPK
8-6-08	A	ADDED SUCTION PORT REINFORCEMENTS	BPK

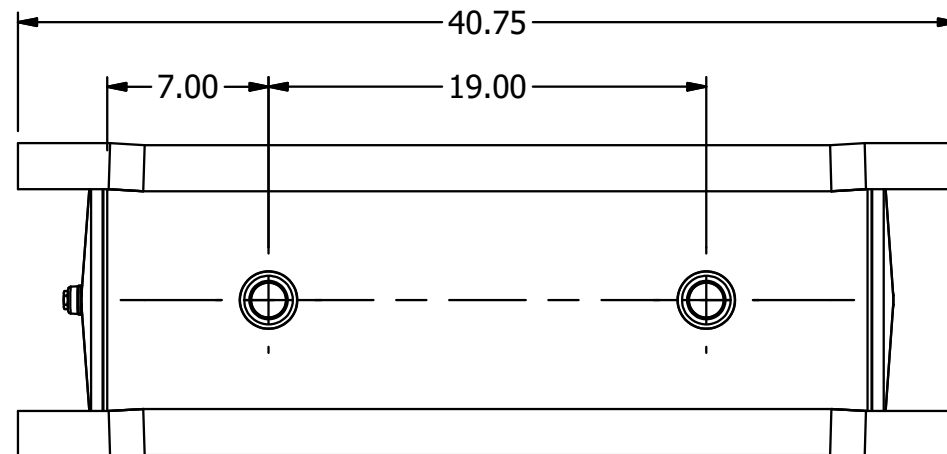
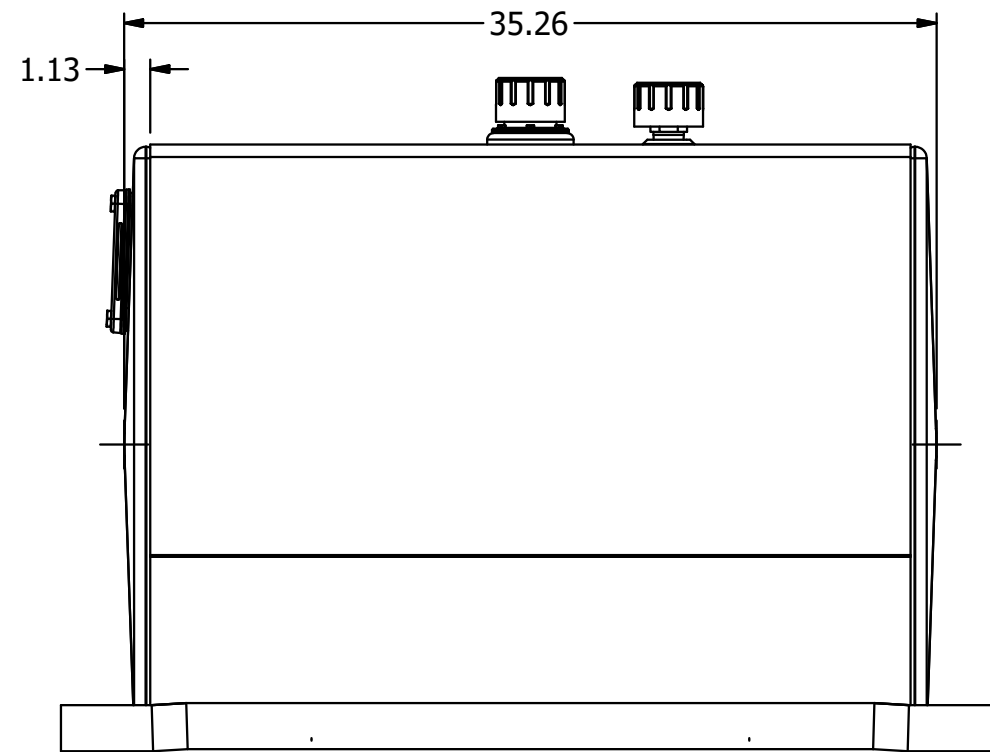
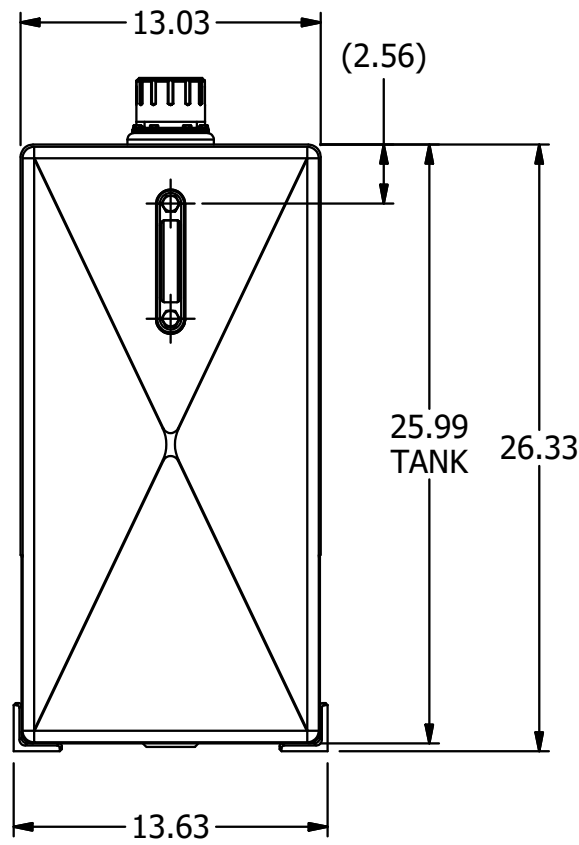
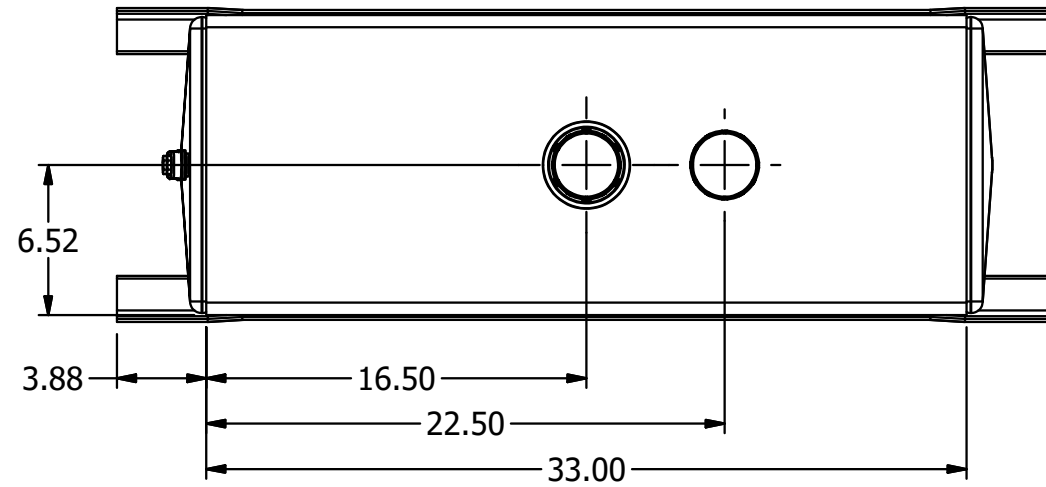
AMERICAN MOBILE POWER PH: (800) 634-8265 FAX: (765) 948-3403	DRAWING BY: BPKNIGHT	DESIGN FOR: AMERICAN MOBILE POWER	FILE NAME: A4000-ST
	COMPLETED: 2/6/2007	SHEET: 1 of 9	SHEET SIZE: B

4

3

2

1



AMERICAN MOBILE POWER PH: (800) 634-8265 FAX: (765) 948-3403	DRAWING BY: BPKNIGHT	DESIGN FOR: AMERICAN MOBILE POWER	FILE NAME: A4000-ST	
	COMPLETED: 2/6/2007		SHEET: 2 of 9	SHEET SIZE: B

4

3

2

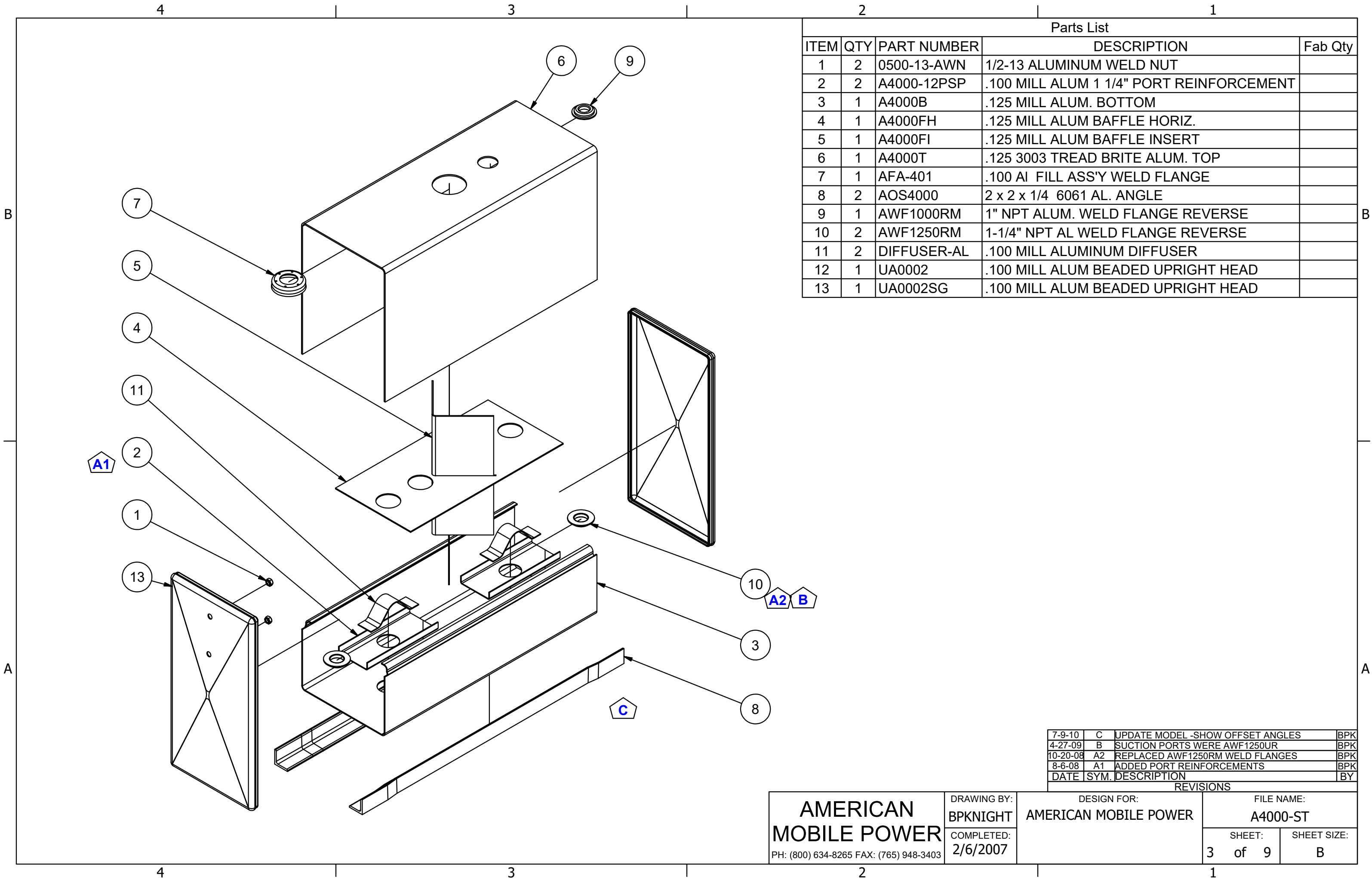
1

B

B

A

A



Parts List				
ITEM	QTY	PART NUMBER	DESCRIPTION	Fab Qty
1	2	0500-13-AWN	1/2-13 ALUMINUM WELD NUT	
2	2	A4000-12PSP	.100 MILL ALUM 1 1/4" PORT REINFORCEMENT	
3	1	A4000B	.125 MILL ALUM. BOTTOM	
4	1	A4000FH	.125 MILL ALUM BAFFLE HORIZ.	
5	1	A4000FI	.125 MILL ALUM BAFFLE INSERT	
6	1	A4000T	.125 3003 TREAD BRITE ALUM. TOP	
7	1	AFA-401	.100 AI FILL ASS'Y WELD FLANGE	
8	2	AOS4000	2 x 2 x 1/4 6061 AL. ANGLE	
9	1	AWF1000RM	1" NPT ALUM. WELD FLANGE REVERSE	
10	2	AWF1250RM	1-1/4" NPT AL WELD FLANGE REVERSE	
11	2	DIFFUSER-AL	.100 MILL ALUMINUM DIFFUSER	
12	1	UA0002	.100 MILL ALUM BEADED UPRIGHT HEAD	
13	1	UA0002SG	.100 MILL ALUM BEADED UPRIGHT HEAD	

REVISIONS				
DATE	SYM.	DESCRIPTION	BY	
7-9-10	C	UPDATE MODEL -SHOW OFFSET ANGLES	BPK	
4-27-09	B	SUCTION PORTS WERE AWF1250UR	BPK	
10-20-08	A2	REPLACED AWF1250RM WELD FLANGES	BPK	
8-6-08	A1	ADDED PORT REINFORCEMENTS	BPK	

AMERICAN MOBILE POWER PH: (800) 634-8265 FAX: (765) 948-3403	DRAWING BY: BPKNIGHT	DESIGN FOR: AMERICAN MOBILE POWER	FILE NAME: A4000-ST	
	COMPLETED: 2/6/2007		SHEET: 3 of 9	SHEET SIZE: B