

4

3

2

1

Parts List

| ITEM | QTY | PART NUMBER | DESCRIPTION |
|------|-----|-----------------|---|
| 1 | 2 | 0500BBS | Black Buffer Seal 1.0 OD x .5 ID x .10 Neoprene |
| 2 | 2 | 24107 | Button Head, Hex, 1/2-13 UNC x 0.75 |
| 3 | 1 | 57XL-40 | 40 Micron FILL w/30 Mesh Stainless Strainer |
| 4 | 1 | ABA-138 | 3/8" NPT VENT |
| 5 | 1 | APP0750-M | 3/4" NPT MAG PLUG |
| 6 | 1 | N_A3575-2S90-ST | NAM WELDMENT ~102.75 lbs |
| 7 | 1 | T-LLG-5 | SIGHT/TEMP. GAUGE, 5" |

AMP PARTS INCLUDE:

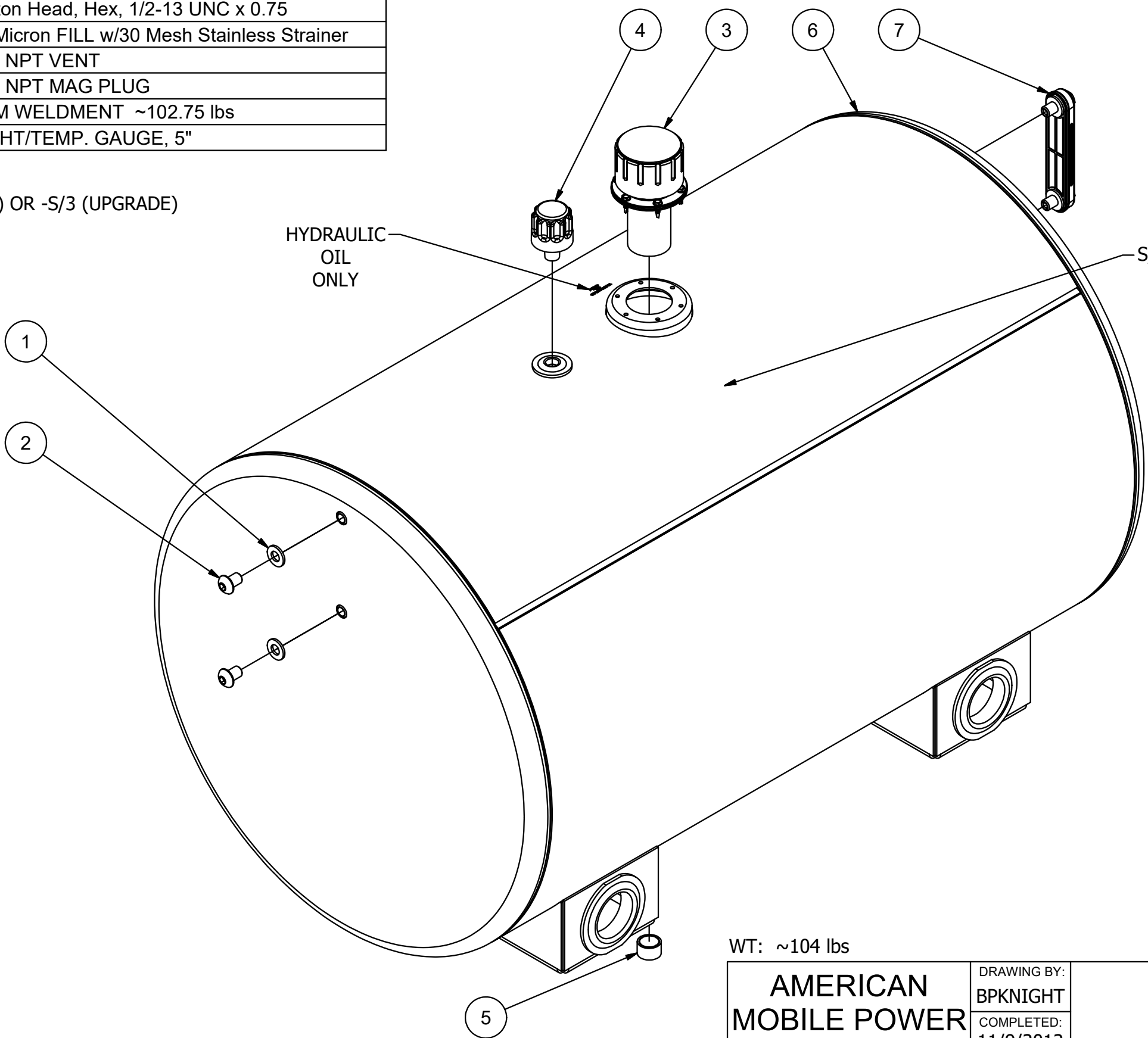
-AMK-624-C/3 MOUNTING KIT (STD) OR -S/3 (UPGRADE)

NOTES:

- POWDER COAT BLACK
- APPLY RUST INHIBITOR INSIDE
- PLUG ALL PORTS FOR SHIPMENT

HYDRAULIC OIL ONLY

S/N BETWEEN FILL & SEAM



WT: ~104 lbs

| | | | | |
|--|-------------------------|-----------------------|-----------------------------|------------------|
| AMERICAN MOBILE POWER PH: (800) 634-8265 FAX: (765) 948-3403 | DRAWING BY: BPKNIGHT | DESIGN FOR: A.M.P. | FILE NAME: A3575-2S90-ST | |
| | COMPLETED: 11/9/2012 | | SHEET: 1 of 6 | SHEET SIZE: B |

4

3

2

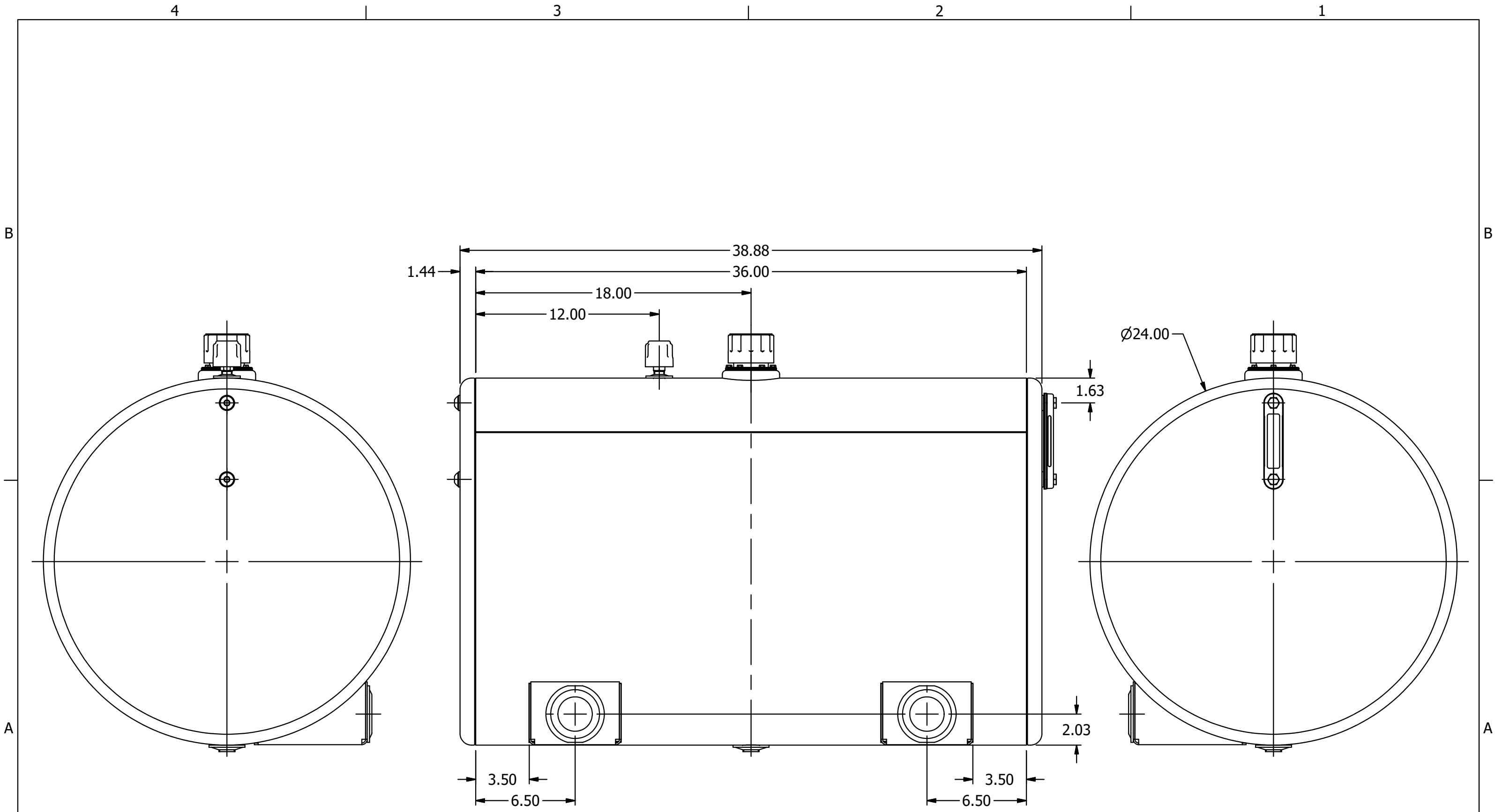
1

B

B

A

A



| | | | | |
|---|-------------------------|------------------------------|-----------------------------|------------------|
| AMERICAN MOBILE POWER <small>PH: (800) 634-8265 FAX: (765) 948-3403</small> | DRAWING BY: BPKNIGHT | DESIGN FOR: A.M.P. | FILE NAME: A3575-2S90-ST | |
| | COMPLETED: 11/9/2012 | | SHEET: 2 of 6 | SHEET SIZE: B |

4

3

2

1

Parts List

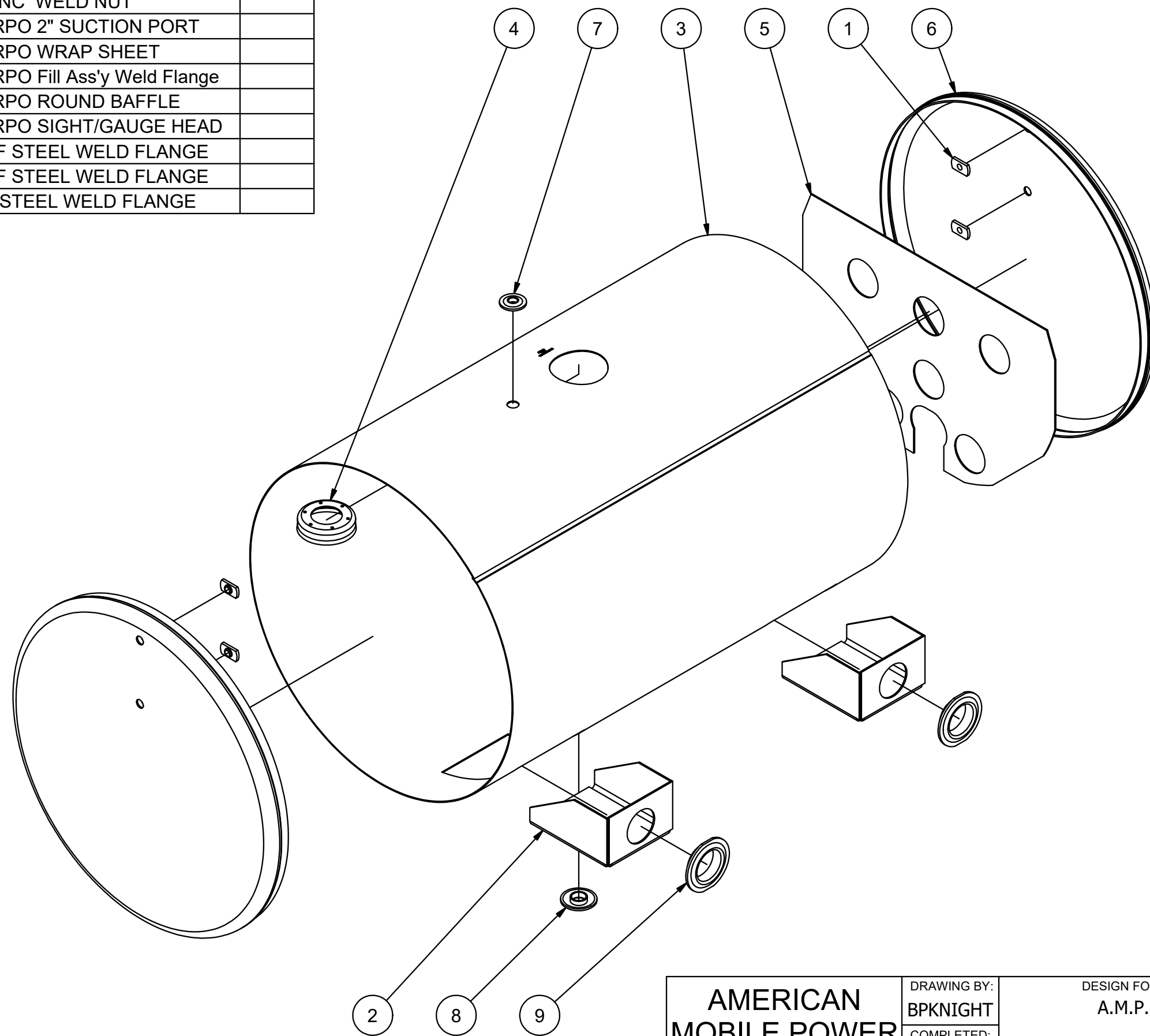
| ITEM | QTY | PART NUMBER | DESCRIPTION | Fab Qty |
|------|-----|--------------|-----------------------------------|---------|
| 1 | 4 | 0500-13-FWN | 1/2"-13 UNC WELD NUT | |
| 2 | 2 | A3500-2S90SP | 12 GA HRPO 2" SUCTION PORT | |
| 3 | 1 | A3575-2S90WS | 14 GA HRPO WRAP SHEET | |
| 4 | 1 | AFS-301 | 13 GA HRPO Fill Ass'y Weld Flange | |
| 5 | 1 | SS0000BF | 13 GA HRPO ROUND BAFFLE | |
| 6 | 2 | SS0000ST | 13 GA HRPO SIGHT/GAUGE HEAD | |
| 7 | 1 | SWF0375 | 3/8" NPTF STEEL WELD FLANGE | |
| 8 | 1 | SWF0750 | 3/4" NPTF STEEL WELD FLANGE | |
| 9 | 2 | SWF2000 | 2" NPSC STEEL WELD FLANGE | |

B

B

A

A



| | | | | |
|--|--------------------------------|------------------------------|------------------------------------|-------------------------|
| AMERICAN MOBILE POWER PH: (800) 634-8265 FAX: (765) 948-3403 | DRAWING BY: BPKNIGHT | DESIGN FOR: A.M.P. | FILE NAME: A3575-2S90-ST | |
| | COMPLETED: 11/9/2012 | | SHEET: 3 of 6 | SHEET SIZE: B |

4

3

2

1