

4

3

2

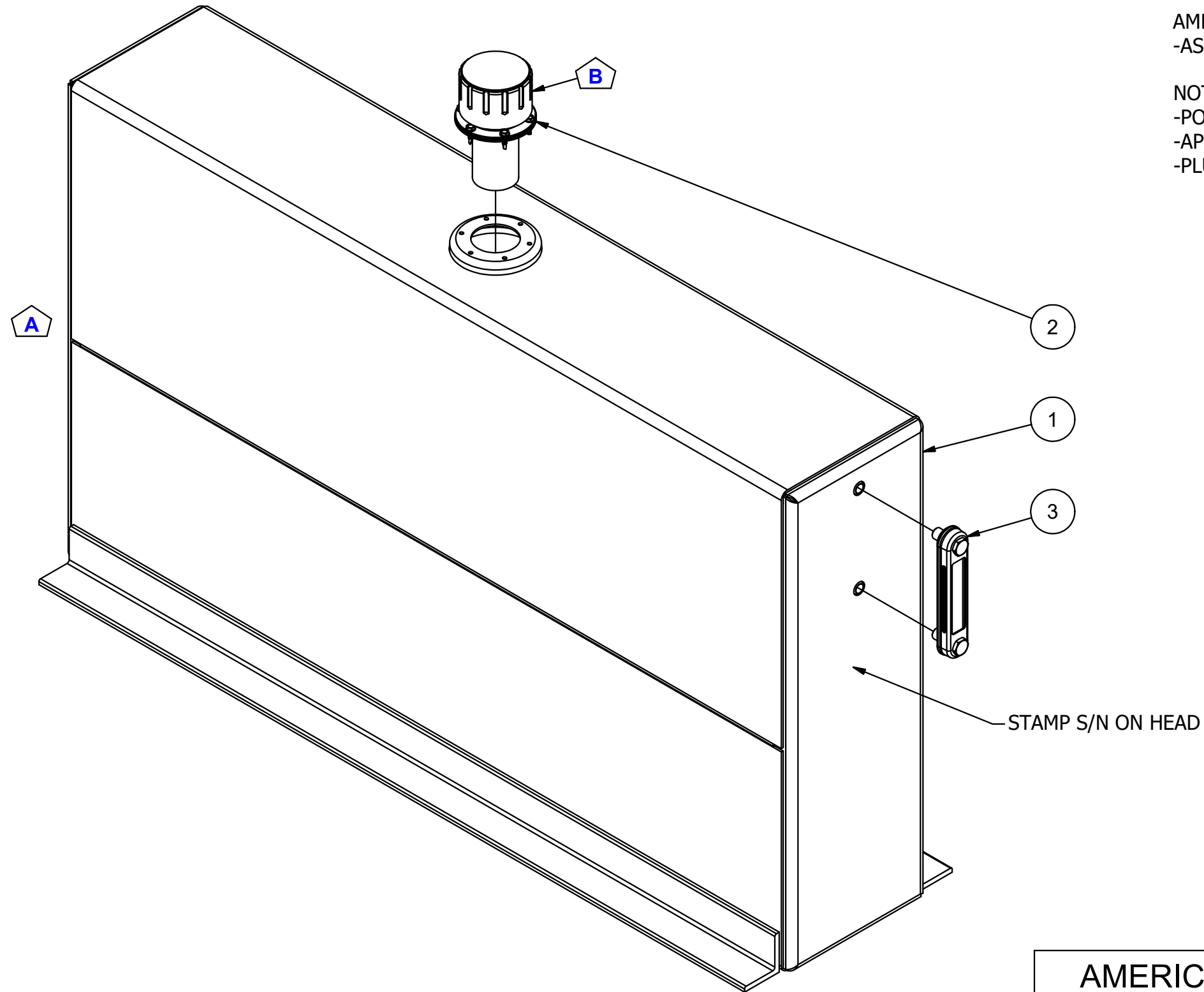
1

Parts List

ITEM	QTY	PART NUMBER	DESCRIPTION
1	1	N_A3035-ST	NAM WELDMENT 42W24H8D ~119 3/4 lbs
2	1	57XL-40	40 Micron FILL w/30 Mesh Stainless Strainer
3	1	T-LLG-5	SIGHT/TEMP. GAUGE, 5"

AMP PARTS TO INCLUDE:  
 -ASK-200 MOUNTING KIT

NOTES:  
 -POWDER COAT BLACK  
 -APPLY RUST INHIBITOR INSIDE  
 -PLUG ALL PORTS FOR SHIPMENT



DATE	SYM.	DESCRIPTION	BY
9-17-18	N/A	S/N WAS ON BOTTOM OF ANGLE	BPK
3-30-16	B	WAS 57XL-40N	BPK
6-7-11	A	UPDATE DEPICTION OF OFFSET	BPK

REVISIONS

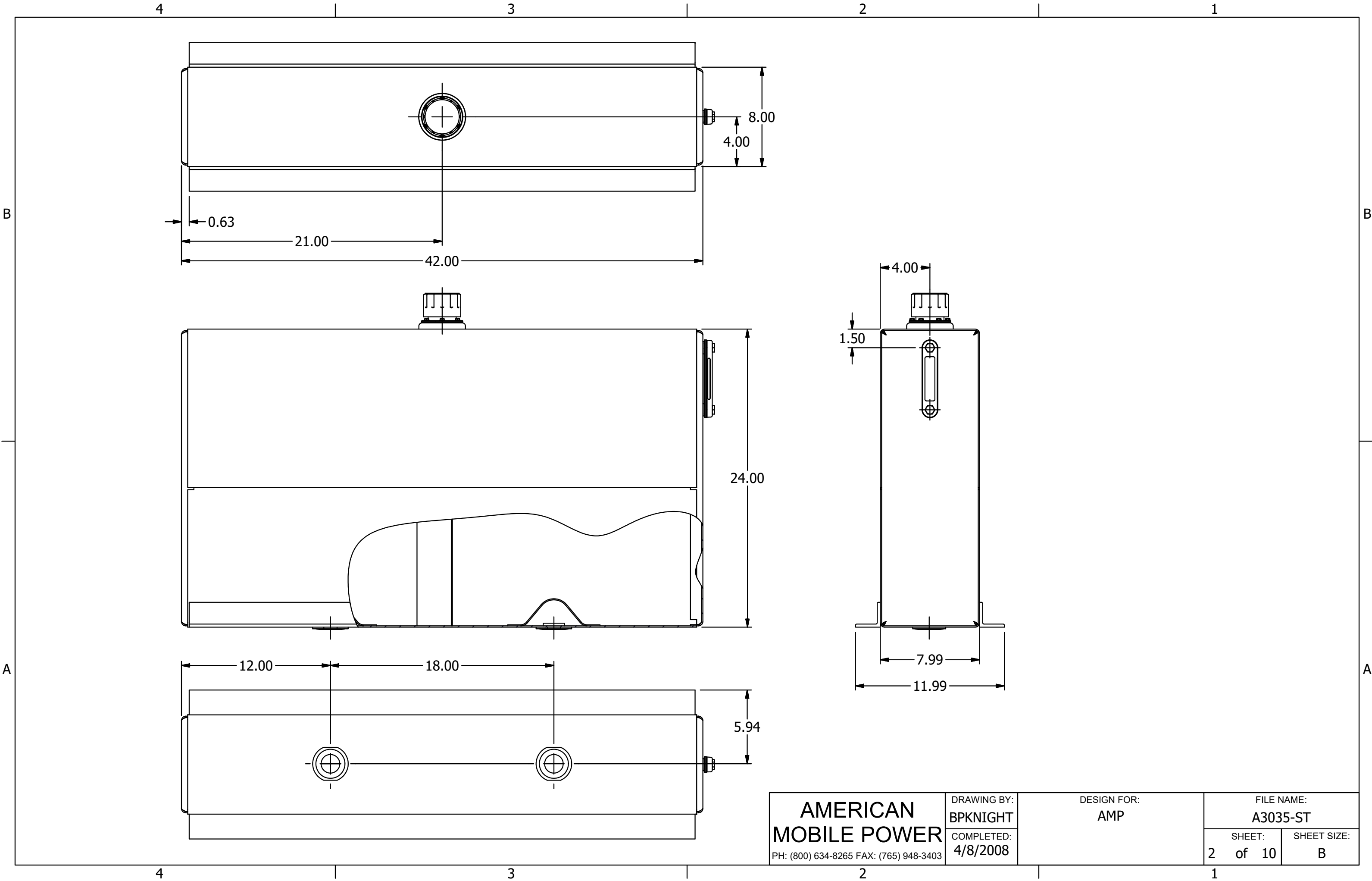
<b>AMERICAN MOBILE POWER</b> PH: (800) 634-8265 FAX: (765) 948-3403	DRAWING BY: <b>BPKNIGHT</b>	DESIGN FOR: <b>AMP</b>	FILE NAME: <b>A3035-ST</b>	
	COMPLETED: <b>4/8/2008</b>		SHEET: <b>1 of 10</b>	SHEET SIZE: <b>B</b>

4

3

2

1



**AMERICAN  
MOBILE POWER**

PH: (800) 634-8265 FAX: (765) 948-3403

DRAWING BY:  
BPKNIGHT

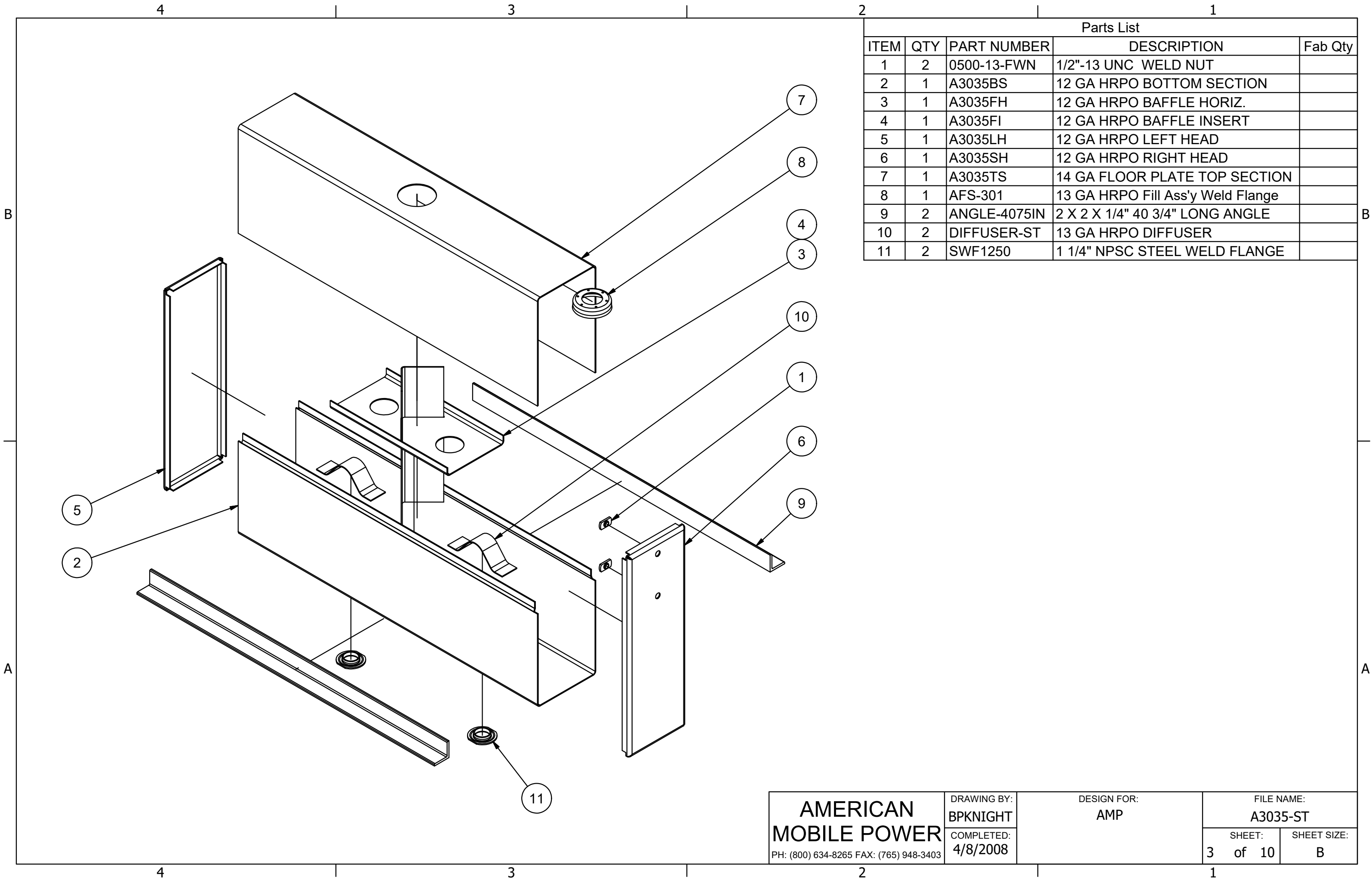
COMPLETED:  
4/8/2008

DESIGN FOR:  
AMP

FILE NAME:  
A3035-ST

SHEET:  
2 of 10

SHEET SIZE:  
B



Parts List				
ITEM	QTY	PART NUMBER	DESCRIPTION	Fab Qty
1	2	0500-13-FWN	1/2"-13 UNC WELD NUT	
2	1	A3035BS	12 GA HRPO BOTTOM SECTION	
3	1	A3035FH	12 GA HRPO BAFFLE HORIZ.	
4	1	A3035FI	12 GA HRPO BAFFLE INSERT	
5	1	A3035LH	12 GA HRPO LEFT HEAD	
6	1	A3035SH	12 GA HRPO RIGHT HEAD	
7	1	A3035TS	14 GA FLOOR PLATE TOP SECTION	
8	1	AFS-301	13 GA HRPO Fill Ass'y Weld Flange	
9	2	ANGLE-4075IN	2 X 2 X 1/4" 40 3/4" LONG ANGLE	
10	2	DIFFUSER-ST	13 GA HRPO DIFFUSER	
11	2	SWF1250	1 1/4" NPSC STEEL WELD FLANGE	

**AMERICAN  
MOBILE POWER**  
PH: (800) 634-8265 FAX: (765) 948-3403

DRAWING BY:  
BPKNIGHT  
COMPLETED:  
4/8/2008

DESIGN FOR:  
AMP

FILE NAME:  
A3035-ST  
SHEET: 3 of 10  
SHEET SIZE: B