

4

3

2

1

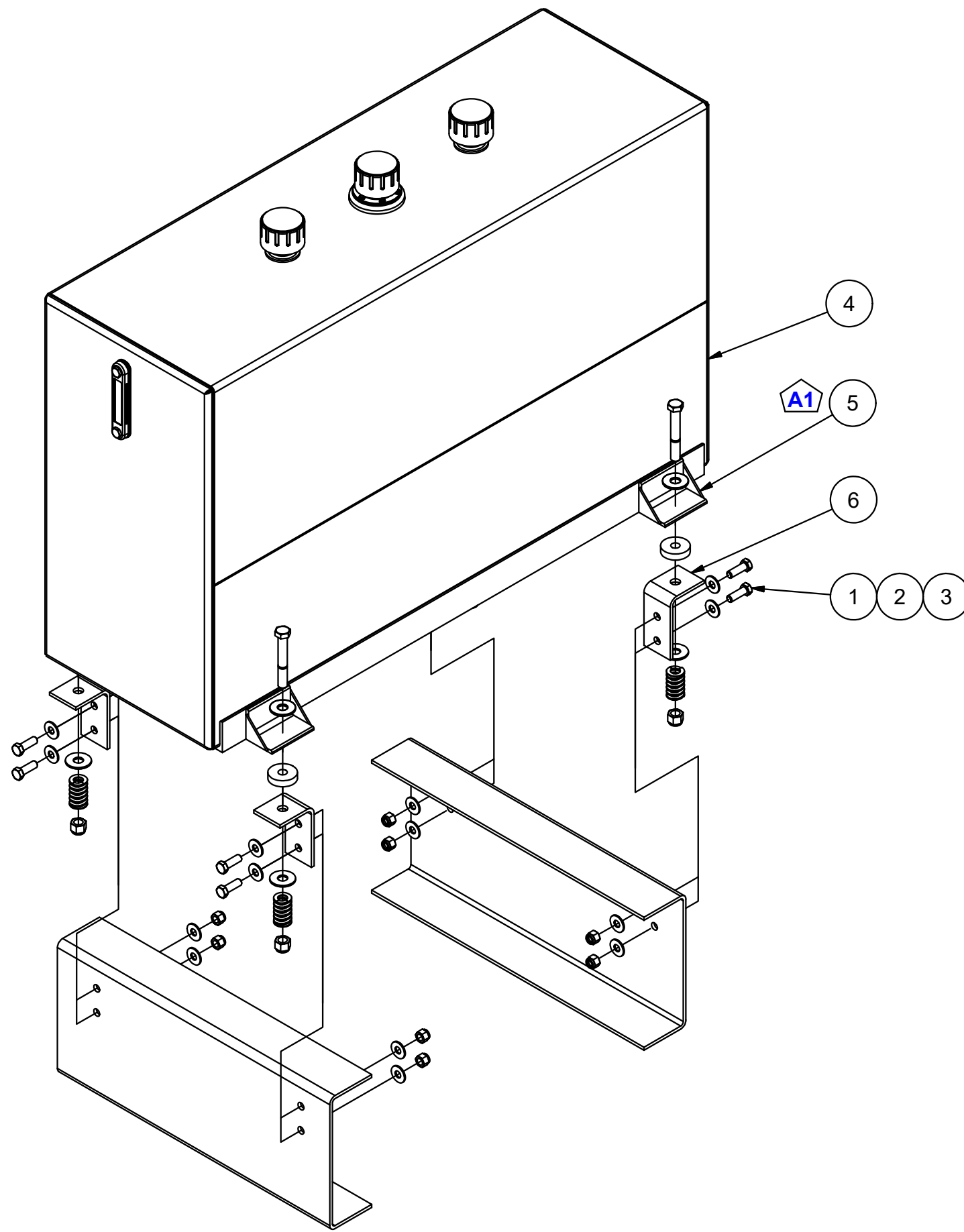
Parts List

ITEM	QTY	PART NUMBER	DESCRIPTION
1	8	13209	1/2-13 UNC x 1.5 Hex Cap Screw
2	16	33224	FlatWasher 1/2" Zinc 0.531 ID x 1.25 OD x 0.1 Thk
3	8	37030	1/2 Std NC Nylock Nut
4	1	A30100-ST	48Wx30Hx16D UPRIGHT ~223.97 lbs
5	4	ASK-200G	WELDMENT: MOUNTING ANGLE
6	4	ASK-210	CHASSIS MOUNTING KIT, HEAVY DUTY
7	2	AUR-MK-FC11-1	1/4x11x4 TRUCK FRAME CHANNEL

**A2** NOTES:

ASK-200G IS TO BE FIELD WELDED TO TANK ANGLE AND MATCH DRILLED TO ASK-210 ANGLE

WHEN USING THIS DIAGRAM FOR MOUNTING **A40100** TANKS, NOTE THAT THE FOUR 6" ANGLES ARE ALREADY WELDED TO THE TANK ANGLES.



DATE	SYM.	DESCRIPTION	BY
4-13-18	A	(1) NAME WAS ASK-200HD; 2) ADDED NOTES	BPK

REVISIONS

<b>AMERICAN MOBILE POWER</b> PH: (800) 634-8265 FAX: (765) 948-3403	DRAWING BY: <b>BPKNIGHT</b>	DESIGN FOR: <b>AMP</b>	FILE NAME: <b>A30100MK</b>	
	COMPLETED: <b>9/5/2007</b>		SHEET: <b>1 of 3</b>	SHEET SIZE: <b>B</b>

4

3

2

1

4

3

2

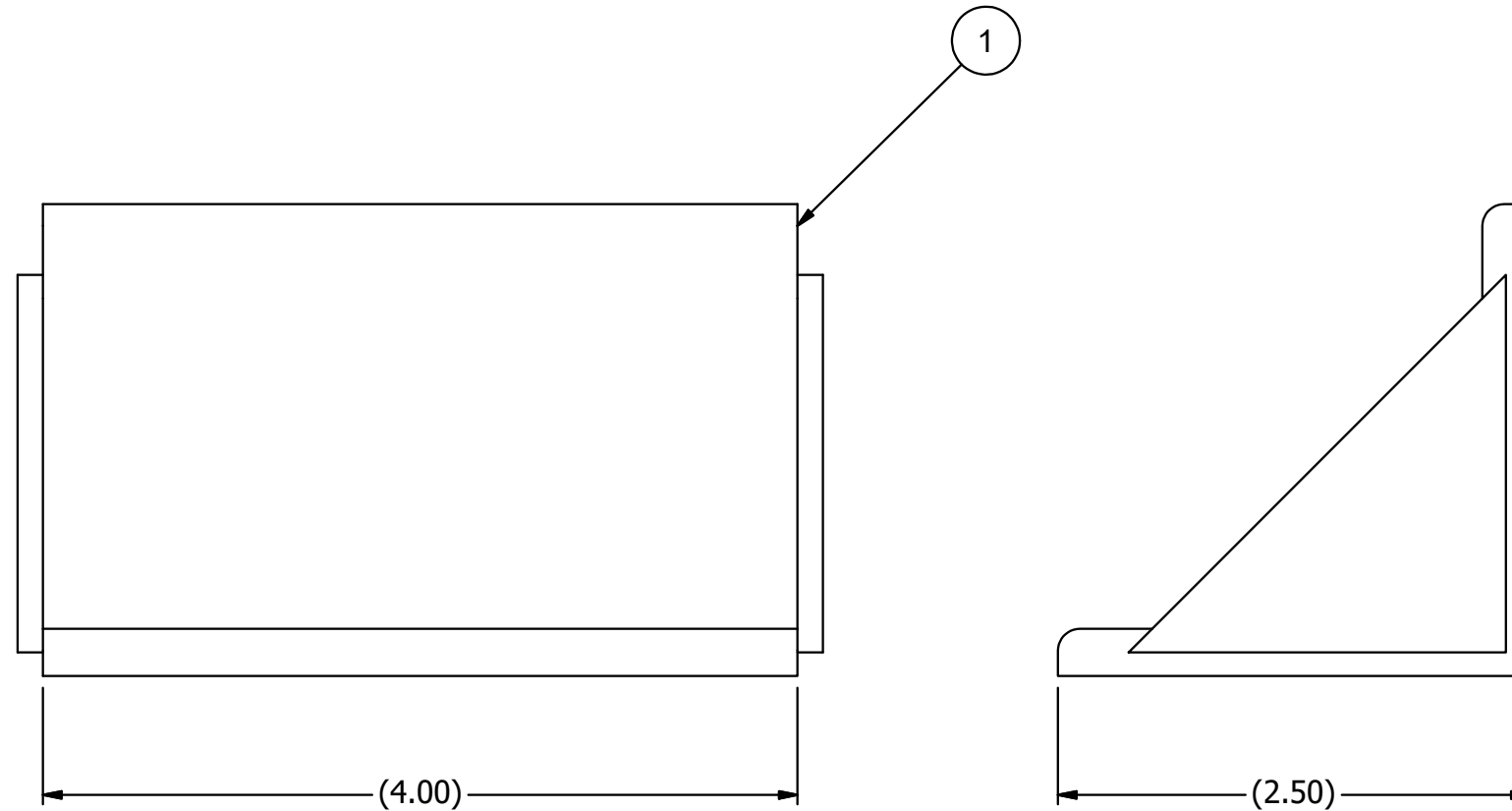
1

Parts List

ITEM	QTY	PART NUMBER	DESCRIPTION
1	1	ANGLE-2500_4IN	2 1/2 x 2 1/2 x 1/4 x 4 STEEL ANGLE

B

B



A

A

<b>AMERICAN MOBILE POWER</b> <small>PH: (800) 634-8265 FAX: (765) 948-3403</small>	<small>DRAWING BY:</small> BPKNIGHT	<small>DESIGN FOR:</small> AMP	<small>FILE NAME:</small> A30100MK	
	<small>COMPLETED:</small> 9/5/2007		<small>SHEET:</small> 2 of 3	<small>SHEET SIZE:</small> B

4

3

2

1

4

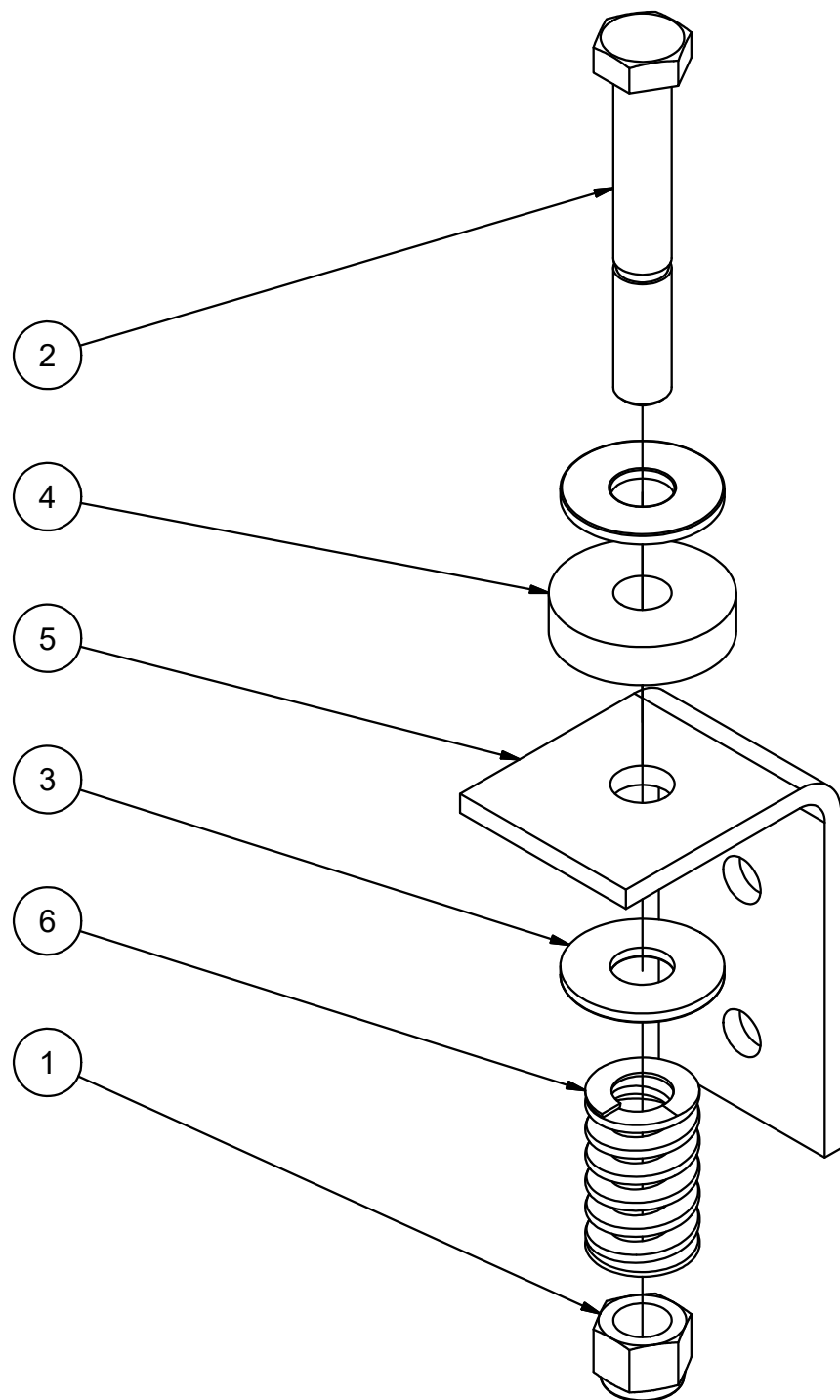
3

2

1

Parts List

ITEM	QTY	PART NUMBER	DESCRIPTION
1	1	37036	5/8 Std NC Nylock Nut
2	1	AMP-13320	5/8-11 x 4 1/4 HEX HEAD BOLT
3	2	AMP-33016	1 3/4 x 11/16 x 1/8 Thk Steel Plain Washer
5	1	ASK-200AN	.25 HRPO MOUNTING ANGLE
4	1	AMP-58212	2" DIA. DOUGHNUT, 1/2" NEOPRENE RUBBER
6	1	ASK-SPRING-HD	0300298 MED-DUTY BLUE SPRING 2"FL



B

B

A

A

4

3

2

1

<b>AMERICAN MOBILE POWER</b> <small>PH: (800) 634-8265 FAX: (765) 948-3403</small>	DRAWING BY: BPKNIGHT	DESIGN FOR: AMP	FILE NAME: A30100MK	
	COMPLETED: 9/5/2007		SHEET: 3 of 3	SHEET SIZE: B