

4

3

2

1

Parts List

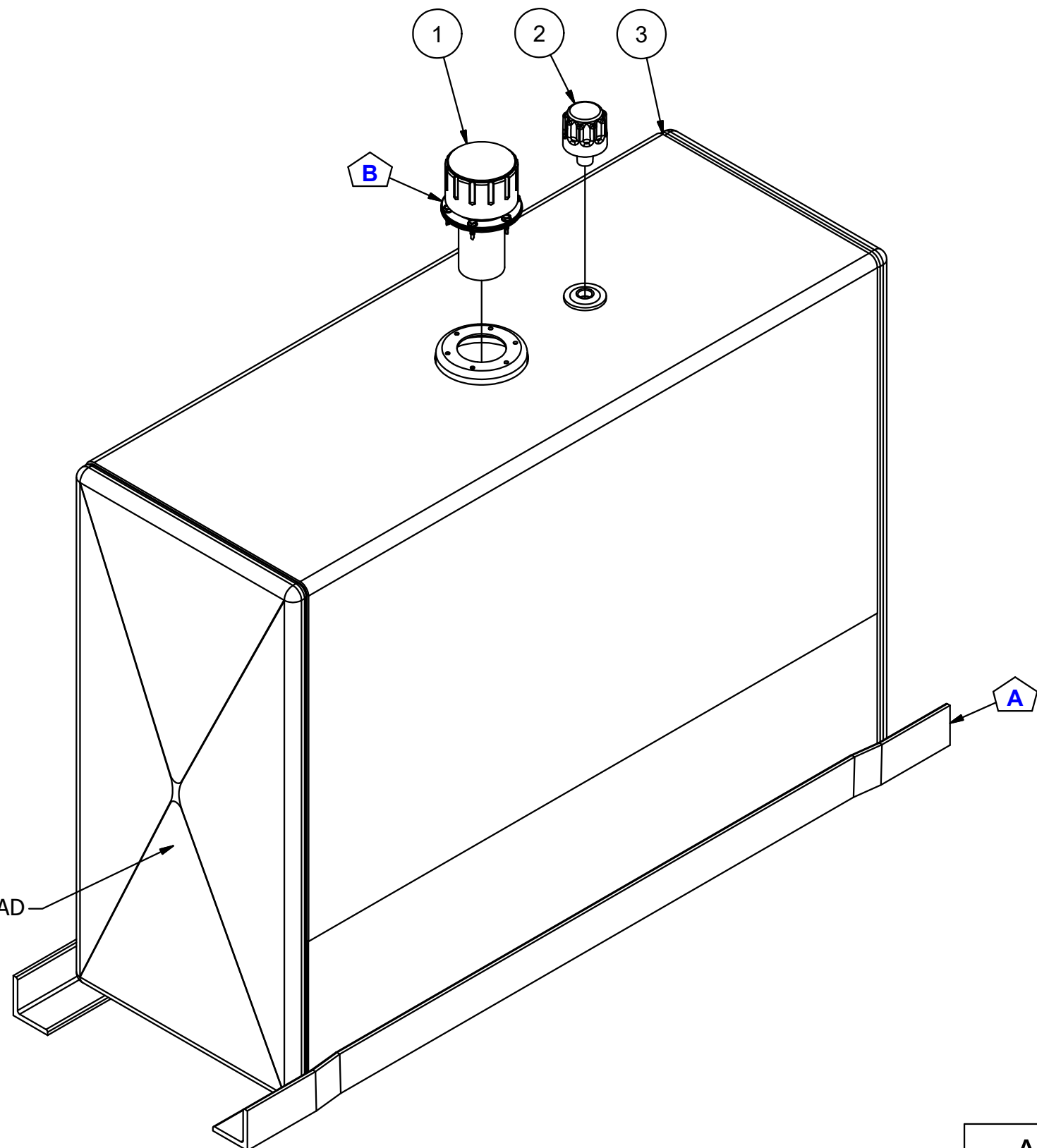
ITEM	QTY	PART NUMBER	DESCRIPTION
1	1	57XL-40	40 Micron FILL w/30 Mesh Stainless Strainer
2	1	ABA-138	3/8" NPT VENT
3	1	N_A3000-2	NAM WELDMENT ~122.19 lbs

AMP PARTS INCLUDE:
 -ASK-200 MOUNTING KIT

NOTES:
 -POWDER COAT BLACK
 -APPLY RUST INHIBITOR INSIDE
 -PLUG ALL PORTS FOR SHIPMENT

B

B



STAMP S/N ON HEAD

A

A

4

3

2

1

DATE	SYM.	DESCRIPTION	BY
9-17-18	N/A	S/N WAS ON BOTTOM OF ANGLE	BPK
12-14-16	B	FILLER WAS 57XL-40N	BPK
7-16-10	A	UPDATE MODEL -SHOW OFFSET ANGLES	BPK

AMERICAN MOBILE POWER PH: (800) 634-8265 FAX: (765) 948-3403	DRAWING BY: BPKNIGHT	DESIGN FOR: AMERICAN MOBILE POWER	FILE NAME: A3000-2
	COMPLETED: 12/7/2006	SHEET: 1 of 8	SHEET SIZE: B

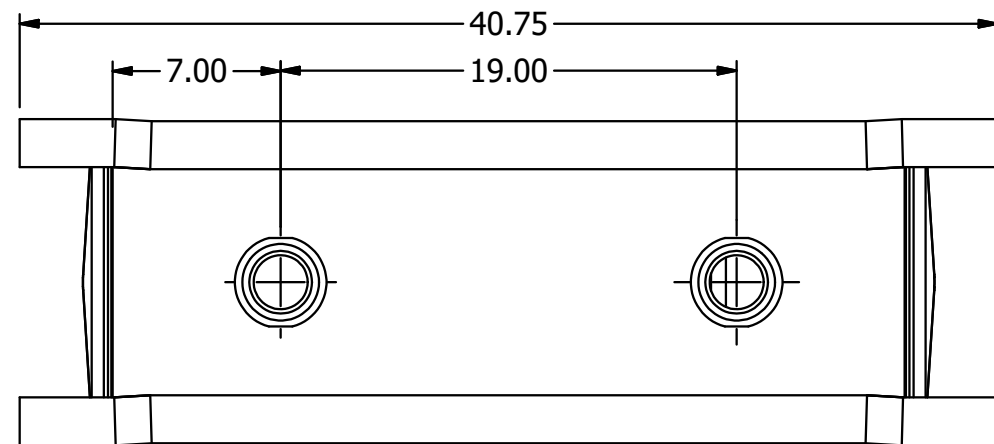
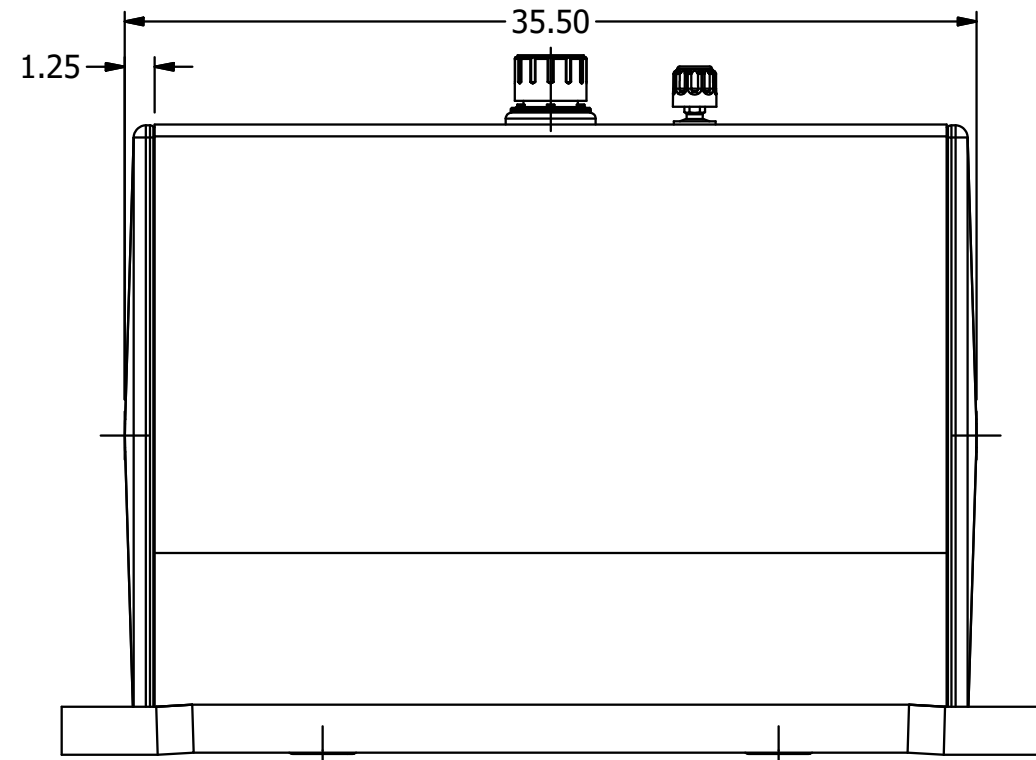
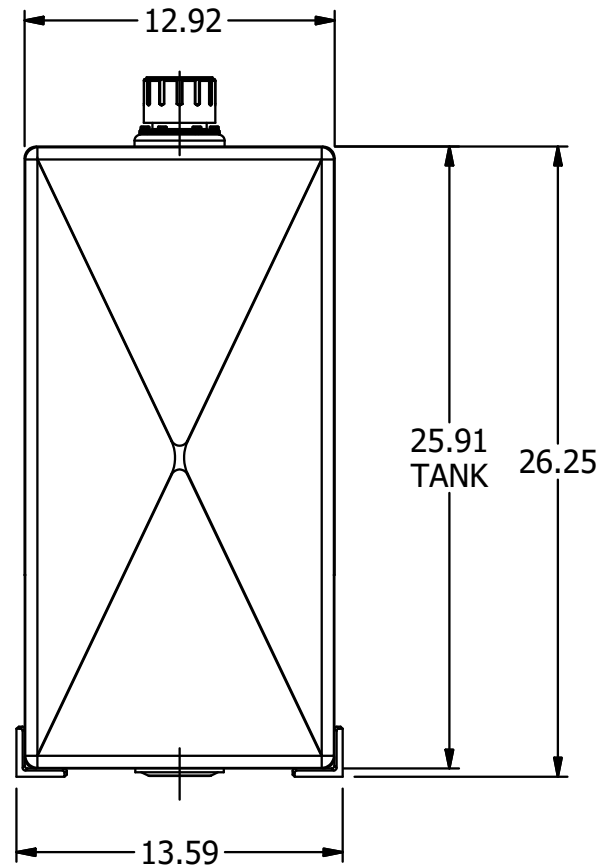
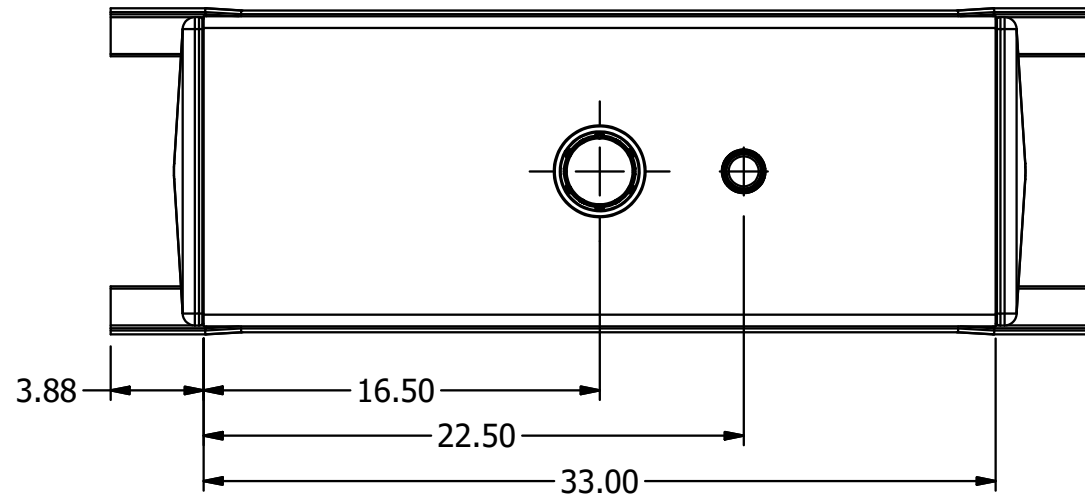
REVISIONS

4

3

2

1



AMERICAN MOBILE POWER PH: (800) 634-8265 FAX: (765) 948-3403	DRAWING BY: BPKNIGHT	DESIGN FOR: AMERICAN MOBILE POWER	FILE NAME: A3000-2	
	COMPLETED: 12/7/2006		SHEET: 2 of 8	SHEET SIZE: B

4

3

2

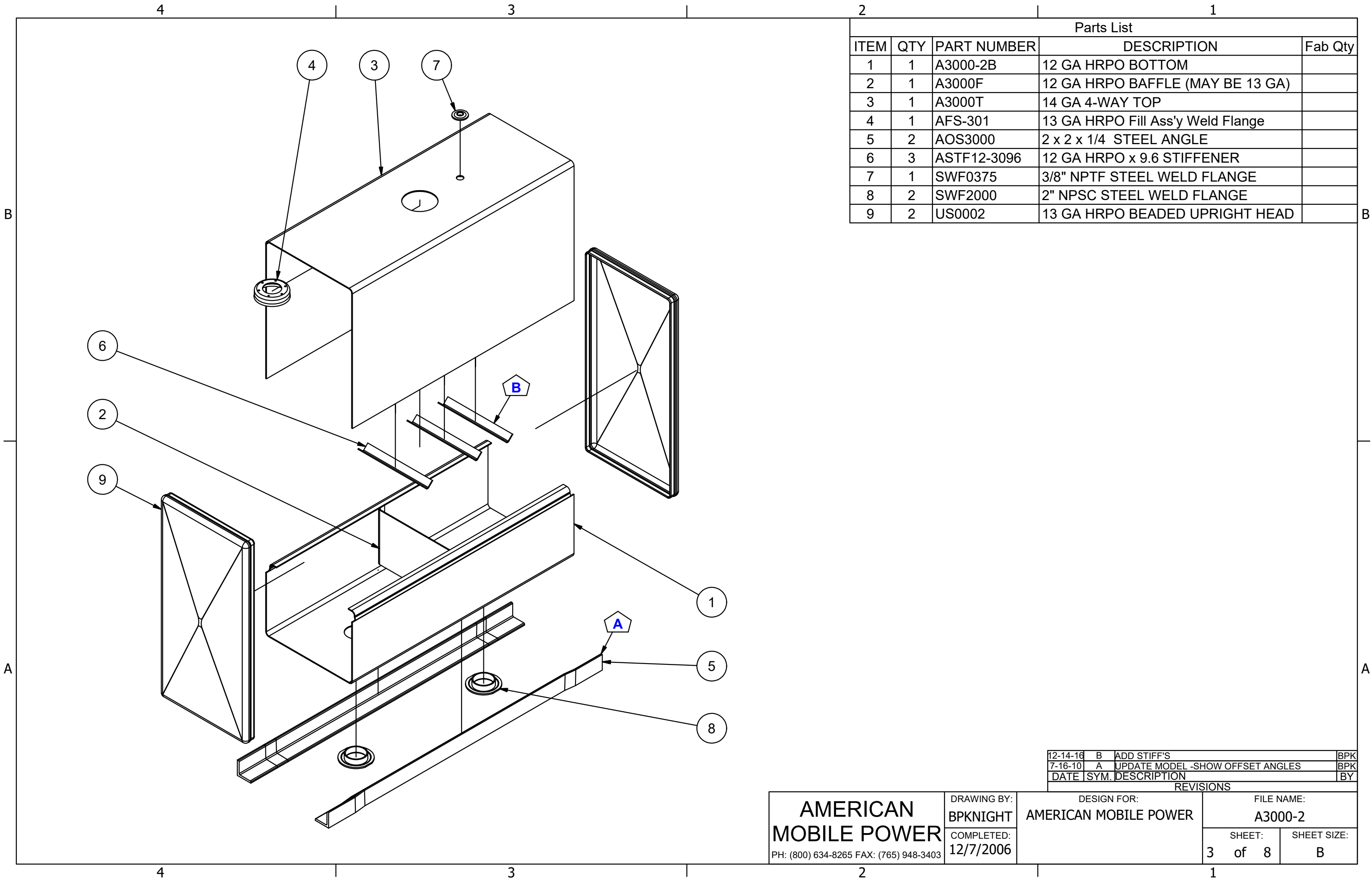
1

B

B

A

A



Parts List				
ITEM	QTY	PART NUMBER	DESCRIPTION	Fab Qty
1	1	A3000-2B	12 GA HRPO BOTTOM	
2	1	A3000F	12 GA HRPO BAFFLE (MAY BE 13 GA)	
3	1	A3000T	14 GA 4-WAY TOP	
4	1	AFS-301	13 GA HRPO Fill Ass'y Weld Flange	
5	2	AOS3000	2 x 2 x 1/4 STEEL ANGLE	
6	3	ASTF12-3096	12 GA HRPO x 9.6 STIFFENER	
7	1	SWF0375	3/8" NPTF STEEL WELD FLANGE	
8	2	SWF2000	2" NPSC STEEL WELD FLANGE	
9	2	US0002	13 GA HRPO BEADED UPRIGHT HEAD	

REVISIONS				
DATE	SYM.	DESCRIPTION	BY	
12-14-16	B	ADD STIFF'S	BPK	
7-16-10	A	UPDATE MODEL -SHOW OFFSET ANGLES	BPK	

AMERICAN MOBILE POWER PH: (800) 634-8265 FAX: (765) 948-3403	DRAWING BY: BPKNIGHT	DESIGN FOR: AMERICAN MOBILE POWER	FILE NAME: A3000-2	
	COMPLETED: 12/7/2006		SHEET: 3 of 8	SHEET SIZE: B