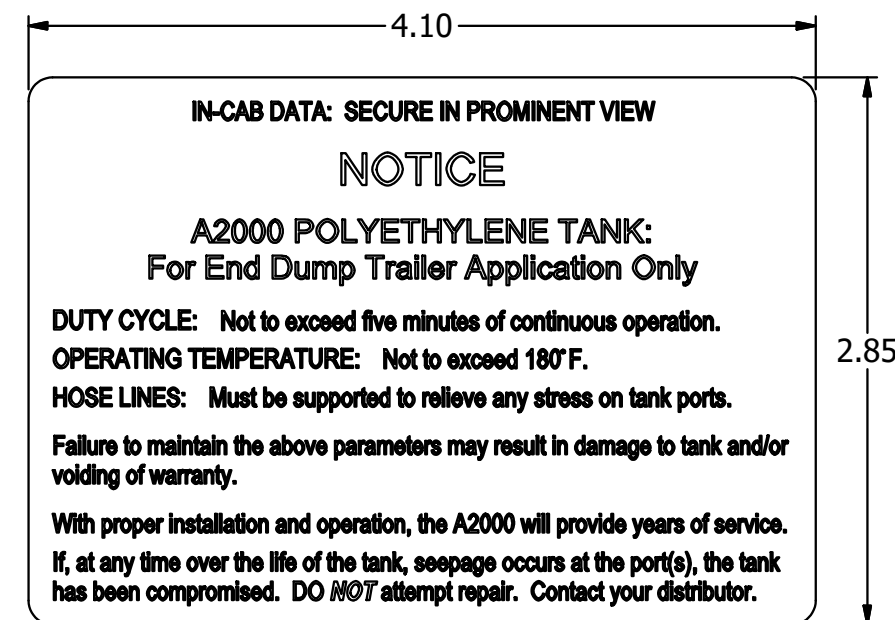


		Parts List	
ITEM	QTY	PART NUMBER	DESCRIPTION
1	6	32581	10-32x1/2 Thread-Rolling Screw HexWasherHead
2	1	57XL-40	40 Micron FILL w/30 Mesh Stainless Strainer
3	1	A2000-DATA_ST	.03 MILL ALUMINUM (S/T GAUGE)
4	1	ADA-250	2" NPT x 1 1/4" NPT DIFFUSER SCREEN
5	1	AMB-312	AMP ASSEMBLY 23.20 lbs
6	1	ARB-1610-Z	REDUCER BUSHING, 2" NPT x 1 1/4" NPT
7	4	ASK-200	CHASSIS MOUNTING KIT
8	1	M_A2000S	PE SHELL w/THREADED INSERTS
9	1	A2000S	POLYETHYLENE SHELL 50.7 GAL GS. CAP.
10	2	ATC-2000PN	PORT NUT, 3 1/4" HEX, 2 5/8-12 UN Thread
11	1	T-LLG-5	SIGHT/TEMP. GAUGE, 5"
12	1	TAG_OVAL_AMP	DATA TAG w/MOUNTING SCREWS
13	4	WASHER-ST	.50 ID x 1.00 OD x .10 NEOPRENE Flat Washer

NOTES:
 -THE FOLLOWING ITEMS SHIP LOOSE:
 +57XL-40 w/ (6) 32581 SCREWS
 +ADA-250 DIFFUSER
 +ARB-1610-Z REDUCER BUSHING
 +ASK-200 MOUNTING KIT
 +A2000-DATA-CAB (SHOWN BELOW)
 -ALL OTHER PARTS ARE FULLY ASSEMBLED



1-25-12	A	ARB-1610-Z WAS 021-2.00X1.25	BPK
DATE	SYM.	DESCRIPTION	BY

REVISIONS			
DRAWING BY:		DESIGN FOR:	FILE NAME:
BPKNIGHT		AMP	A2000
COMPLETED:		SHEET:	SHEET SIZE:
9/7/2007		1 of 4	B

AMERICAN MOBILE POWER
 PH: (800) 634-8265 FAX: (765) 948-3403

ALL INFORMATION IN THIS DOCUMENT IS PROPRIETARY TO AMERICAN MOBILE POWER AND SHALL NOT BE COPIED OR REPRODUCED IN ANY FORM WITHOUT PERMISSION.

4

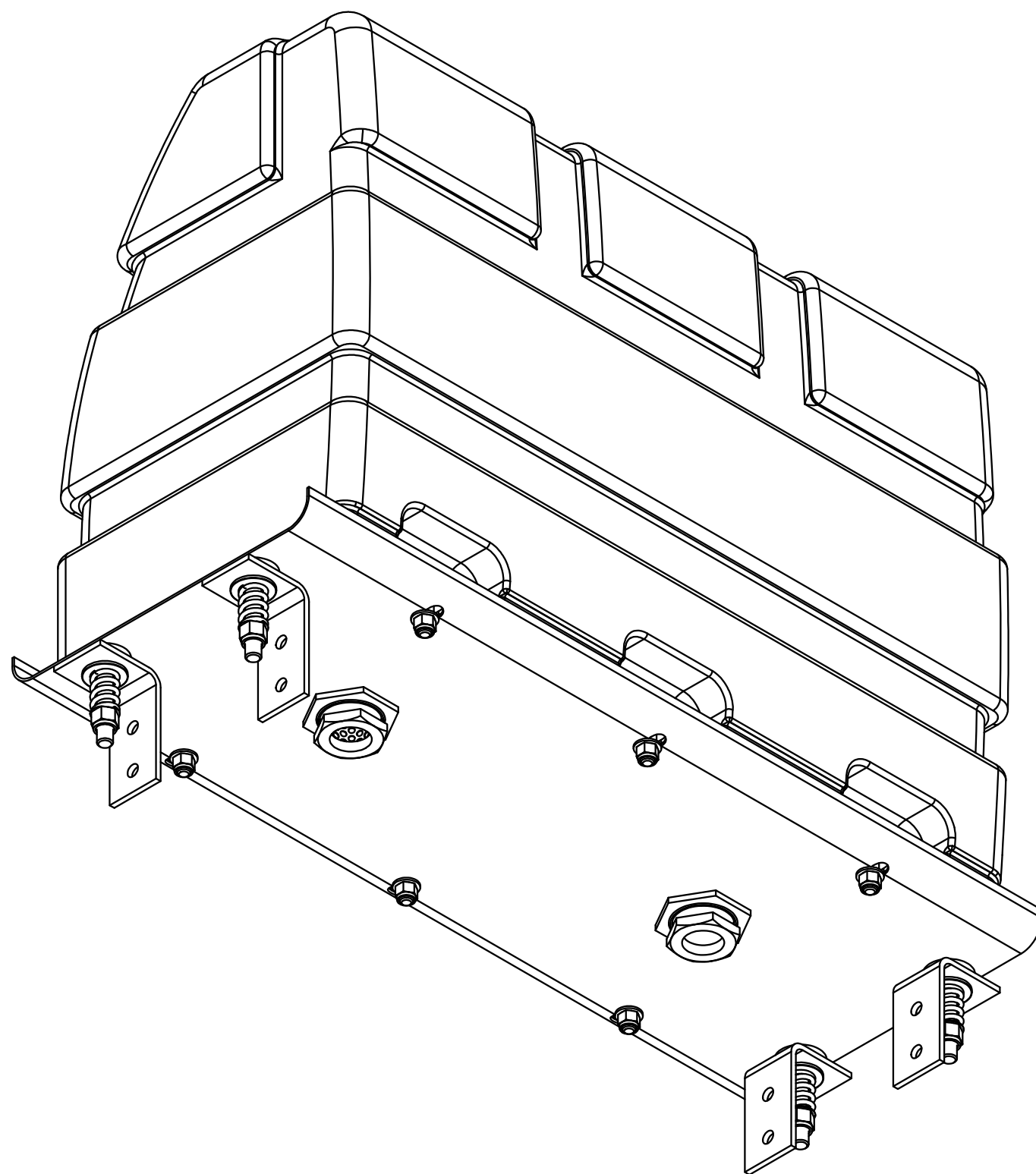
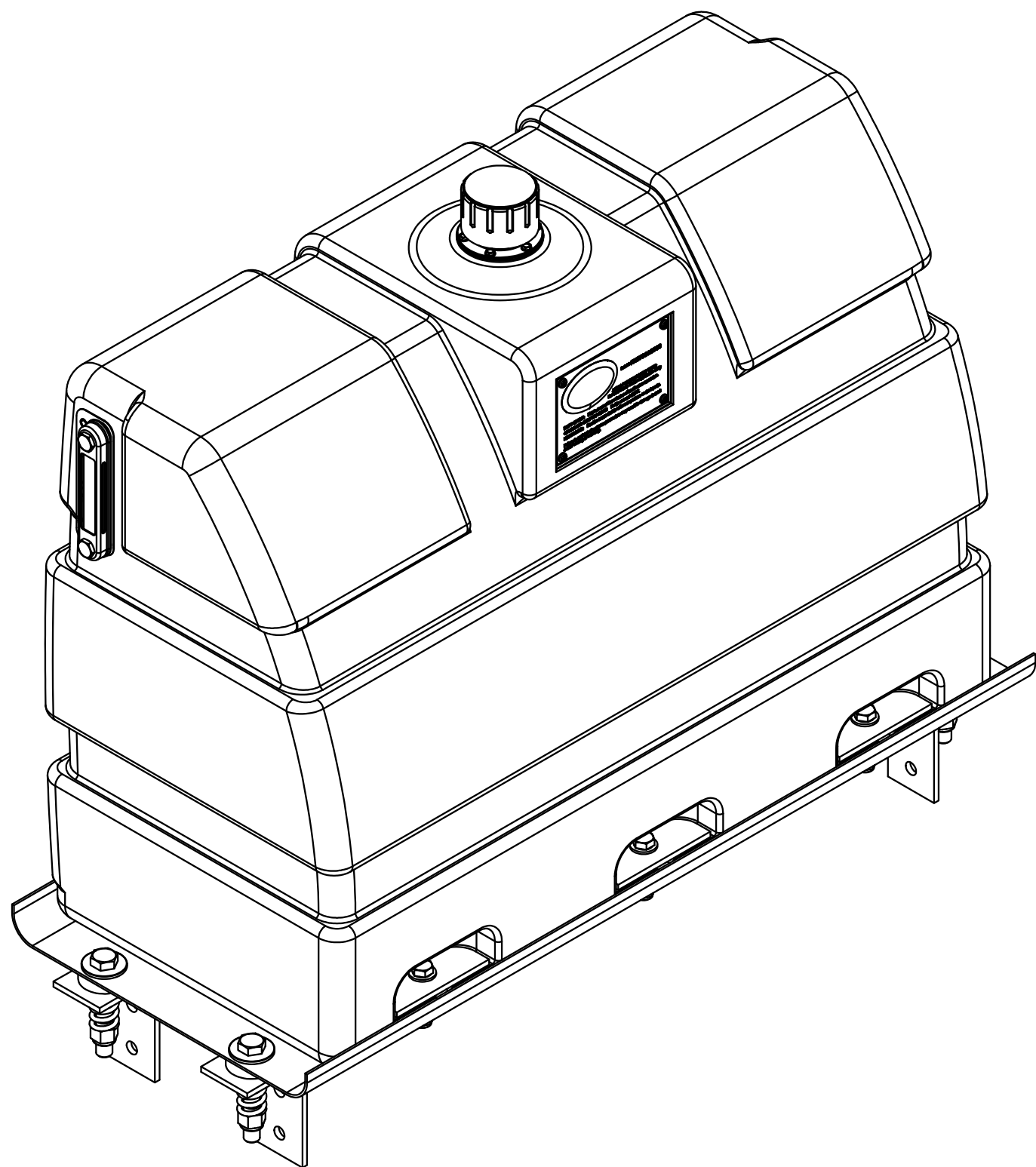
3

2

1

B

B



A

A

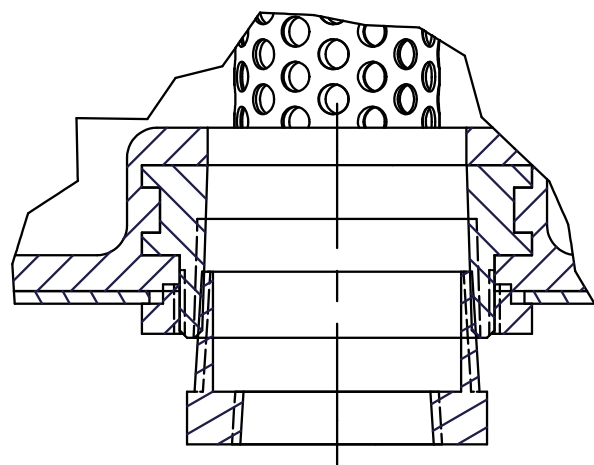
4

3

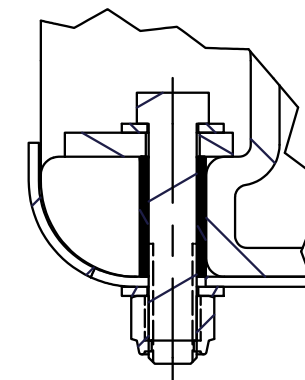
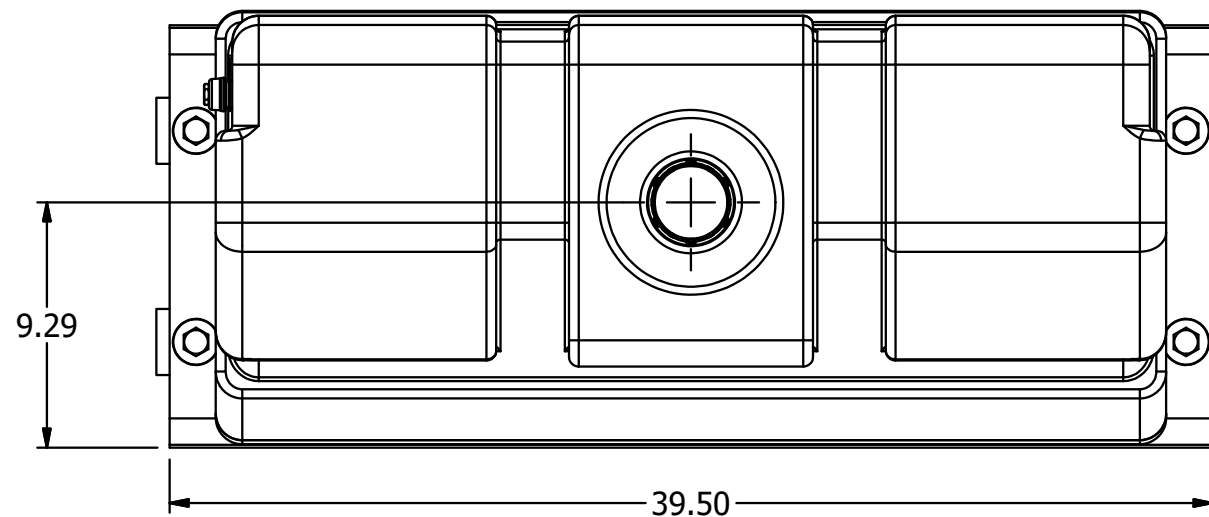
2

1

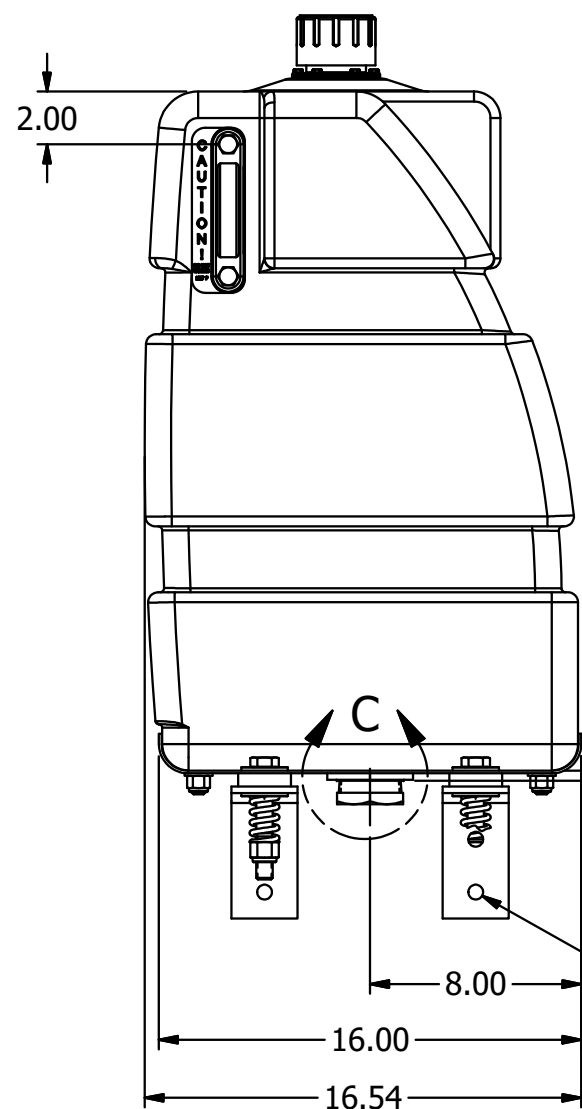
AMERICAN MOBILE POWER <small>PH: (800) 634-8265 FAX: (765) 948-3403</small>	DRAWING BY: BPKNIGHT	DESIGN FOR: AMP	FILE NAME: A2000	
	COMPLETED: 9/7/2007		SHEET: 2 of 4	SHEET SIZE: B



DETAIL C



DETAIL B



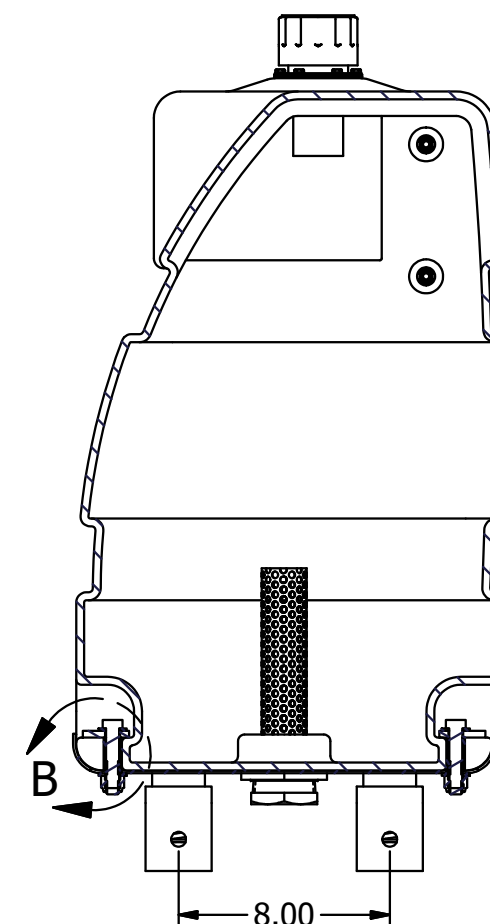
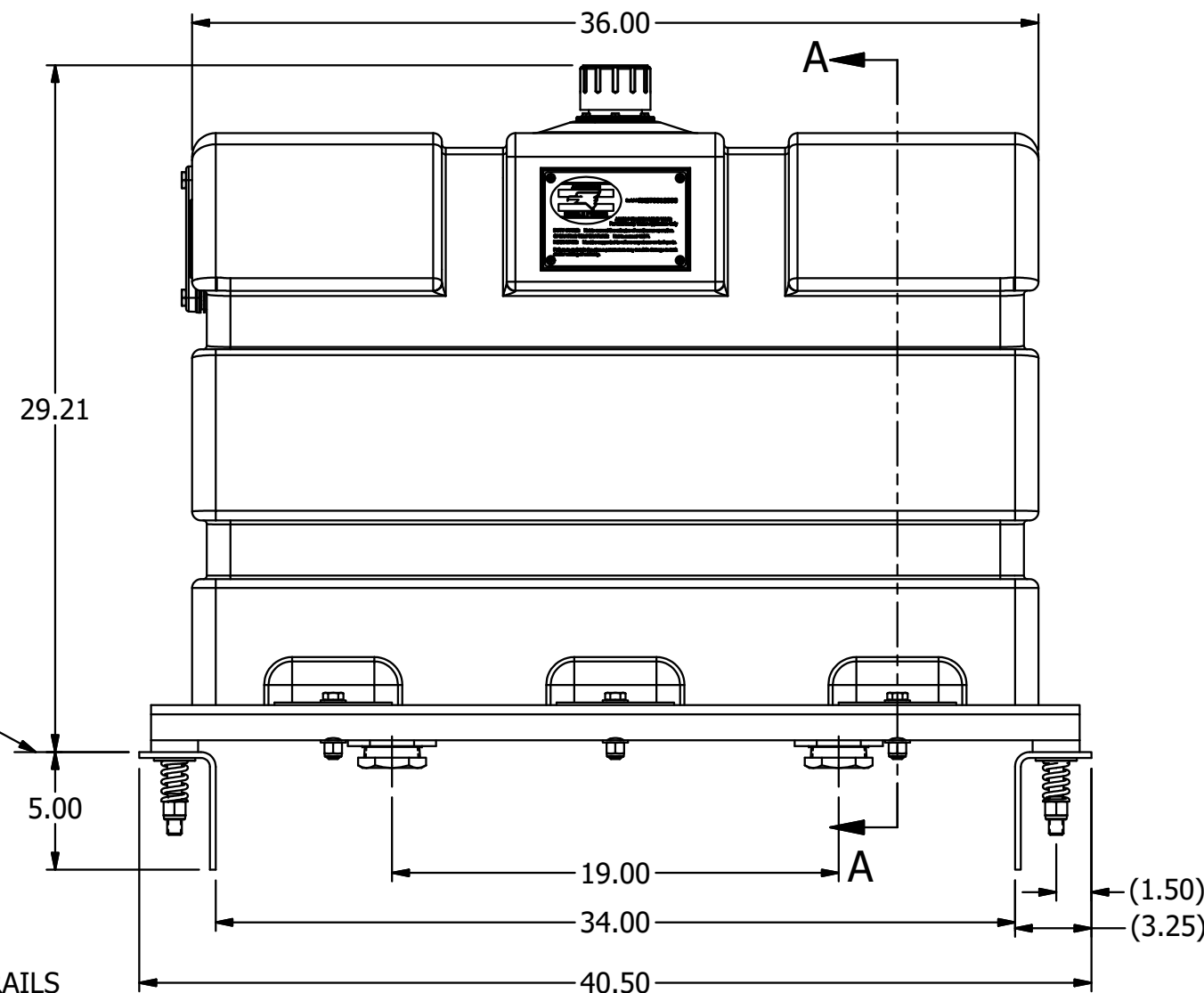
FLUSH WITH TRUCK RAIL

0.39

Ø0.56

8 PLCS

MATCH DRILL TRUCK RAILS AT INSTALLATION



SECTION A-A

ALL INFORMATION IN THIS DOCUMENT IS PROPRIETARY TO AMERICAN MOBILE POWER AND SHALL NOT BE COPIED OR REPRODUCED IN ANY FORM WITHOUT PERMISSION.

AMERICAN MOBILE POWER <small>PH: (800) 634-8265 FAX: (765) 948-3403</small>	DRAWING BY: BPKNIGHT	DESIGN FOR: AMP	FILE NAME: A2000	
	COMPLETED: 9/7/2007		SHEET: 3 of 4	SHEET SIZE: B