



Pressurized Filler Breather Cap

57XL-10P-5 / 57XL-40P-5

This device is similar to a conventional breather, but it incorporates a relief valve set at 5 PSI and a vacuum breaker. When the fluid level first falls, air enters the reservoir through the vacuum breaker and filter. When the level rises, air is compressed rather than being expelled. Thereafter, changing fluid levels are accommodated by the changing size of the air bubble in the reservoir, instead of by breathing to atmosphere.

Pressurized breathers can reduce breathing by as much as 90% increasing the life of the breather filter by a factor of 10. They are recommended for systems that are expected to operate in extremely dusty environments and mobile applications to prevent spillage.

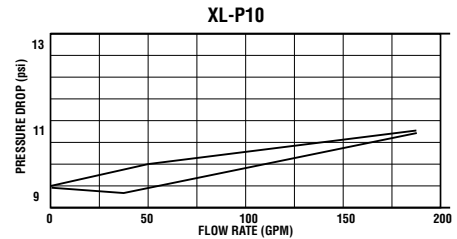
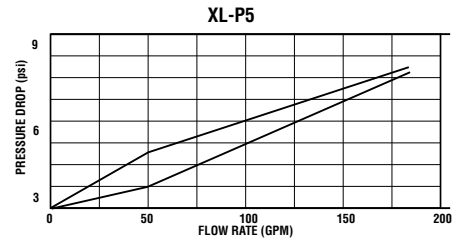
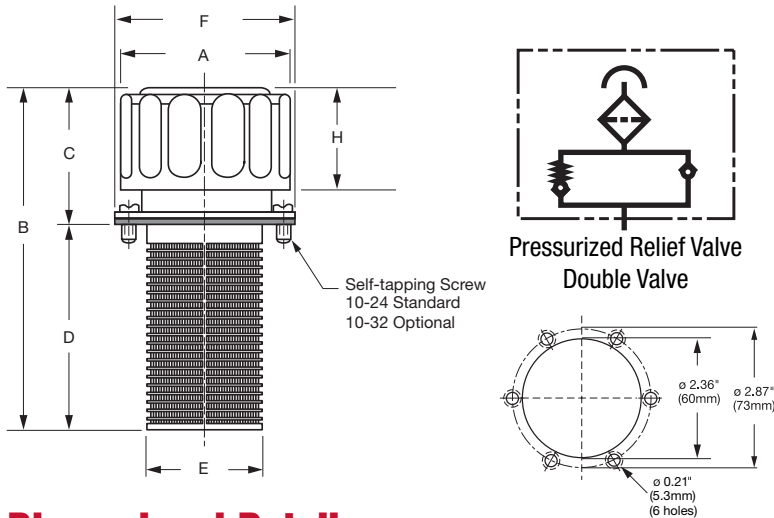
Optional: 3 & 10 PSI Relief Valve Setting.
(SAE J829 Mounting Flange)



Photo illustrates P5 Valve

57XL-40-P5

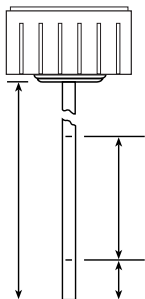
BPC-57XL-40-P5



Dimensional Detail

MODEL NUMBER	MICRON	GPM	AIR FLOW	STANDARD								
				IN MM	A	B	C	D	E	F	G	H
57XL	3, 10, 40	200	30		3"	5.3"	2.2"	3.8"	1.9"	3.3"	3"	1.5"
					76	135	56	97	48	84	76	38

*G = 3" Stainless Steel Screen



Please supply drawing specifying lengths shown. Dipstick may be marked "FULL" and "ADD". Optional wording available.

Assembly Ordering Code

- 57-XL - 40 - P5 - *

Zinc/Sealer	Omit (Standard)
LC	Locking Cap
ISO	Hydraulic Fluid (Stamped In Cap)
BPC	Black Powder (Coated Cap/Flange)

40	40 Micron
10	10 Micron
3	3 Micron

57-XL Assembly

10-32	Self Tapping Screws
LCH	Less Chain
BUNA	Rubber Gasket
1.5 HN	1.5" High Neck
3 HN	3" High Neck
DIP	Specify Dipstick Length

Full, Add, Low, Marks Available
Custom Lengths available

P-5	5 PSI Relief Valve
P-10	10 PSI Relief Valve
P-3	3 PSI Relief Valve
Omit	3" 30 Mesh (Standard)
3-100	3" 100 Mesh
N	4" Nylon
6-30	6" 30 Mesh
6-100	6" 100 Mesh
8-30	8" 30 Mesh

Cap Only Ordering Code

BPC - 40 XL - P5

Zinc/Sealer	Omit (Standard)	40XL	40 Micron
LC	Locking Cap	10XL	10 Micron
ISO	Hydraulic Fluid (Stamped In Cap)	3XL	3 Micron
BPC	Black Powder (Coated Cap/Flange)		

P-3	3 PSI Relief Valve
P-5	5 PSI Relief Valve
P-10	10 PSI Relief Valve
LCH	Less Chain
DIP	Dipstick (Specify Length)
Buna	Rubber Gasket



See website technical bulletin TB.TA10.708 for Pressurized information.