

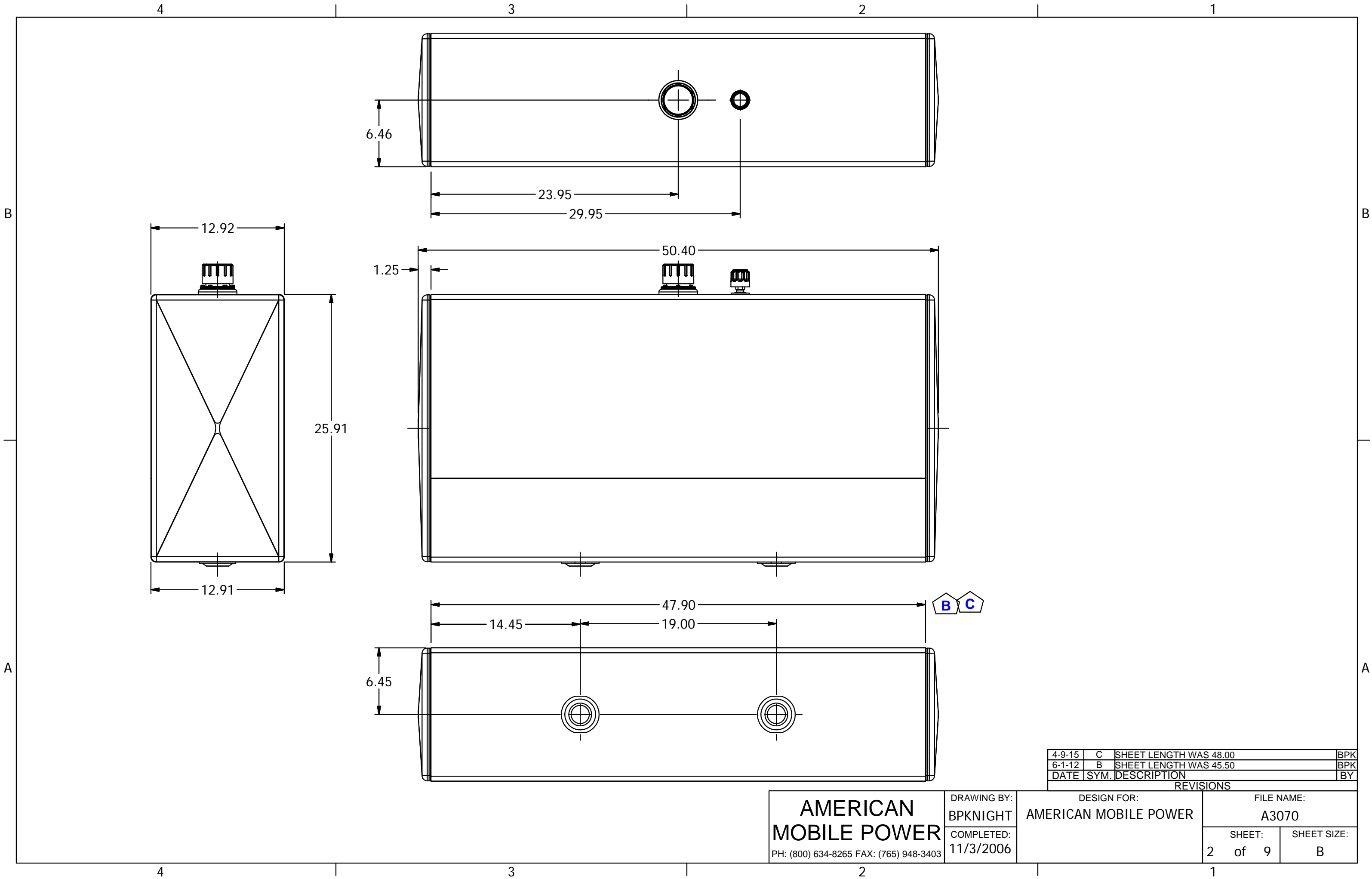
Parts List			
ITEM	QTY	PART NUMBER	DESCRIPTION
1	1	57XL-40N	40 MICRON FILL W/NYLON STRAINER
2	1	ABA-138	3/8" NPT VENT
3	1	N_A3070	NAM WELDMENT ~135 1/4 lbs

AMP PARTS INCLUDE:
 -ABK-340-C OR ABK-340-S MOUNTING KIT

NOTES:
 -POWDER COAT BLACK
 -APPLY RUST INHIBITOR INSIDE
 -PLUG ALL PORTS FOR SHIPMENT

DATE	SYM.	DESCRIPTION	BY
4-9-15	C	SHEET LENGTH WAS 48.00	BPK
6-1-12	B	INCREASED OAL BY 2.50	BPK
6-7-11	A	UPDATE OFFSET DEPICTION	BPK
REVISIONS			
11-3-06	N/A	SUPERSEDES MODEL A3070 DATED 8-1-2005	BPK

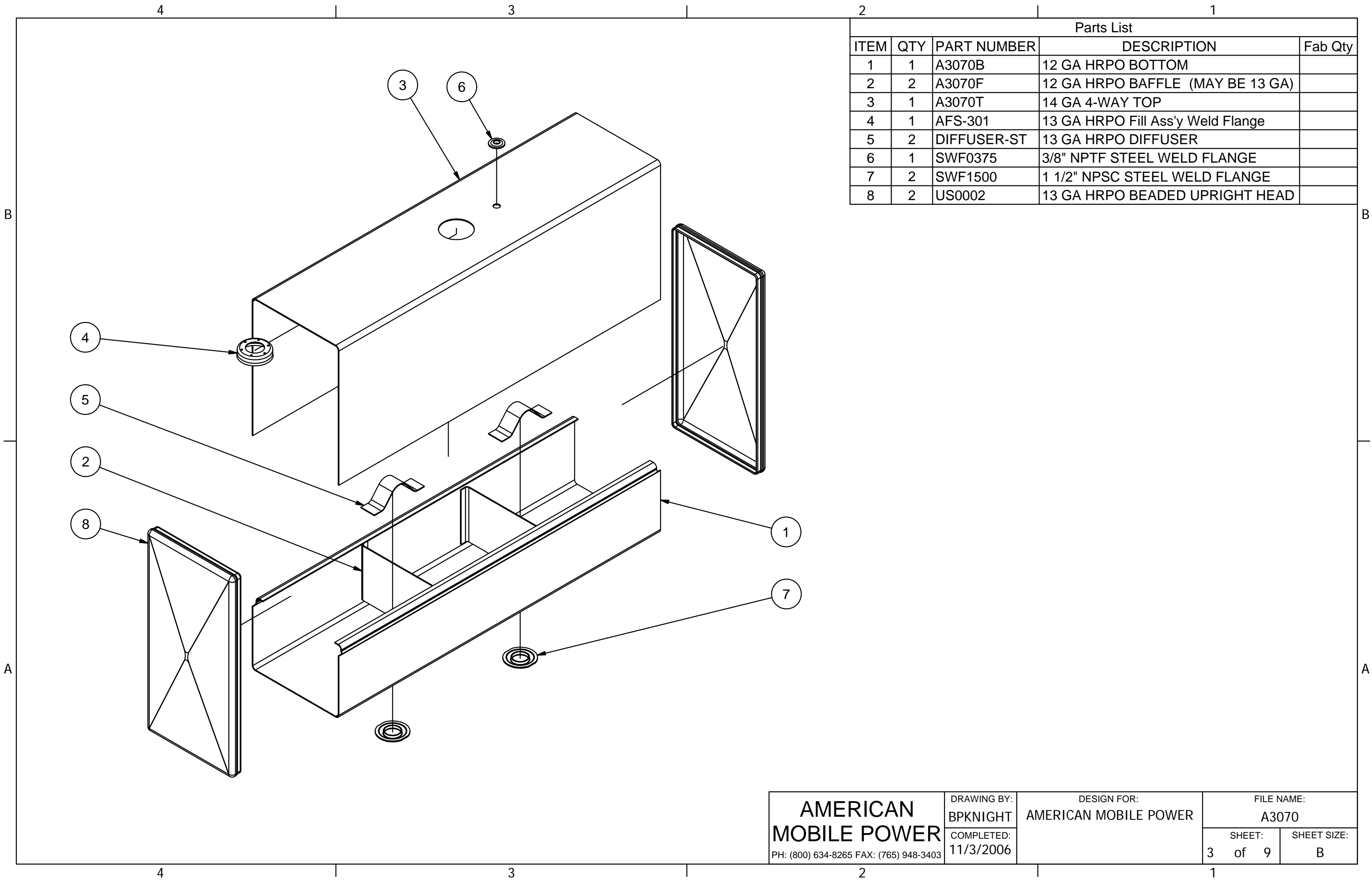
AMERICAN MOBILE POWER PH: (800) 634-8265 FAX: (765) 948-3403	DRAWING BY: BPKNIGHT	DESIGN FOR: AMERICAN MOBILE POWER	FILE NAME: A3070	
	COMPLETED: 11/3/2006		SHEET: 1 of 9	SHEET SIZE: B



DATE	SYM.	DESCRIPTION	BY
4-9-15	C	SHEET LENGTH WAS 48.00	BPK
6-1-12	B	SHEET LENGTH WAS 45.50	BPK

REVISIONS

AMERICAN MOBILE POWER PH: (800) 634-8265 FAX: (765) 948-3403	DRAWING BY: BPKNIGHT	DESIGN FOR: AMERICAN MOBILE POWER	FILE NAME: A3070	
	COMPLETED: 11/3/2006		SHEET: 2 of 9	SHEET SIZE: B



Parts List				
ITEM	QTY	PART NUMBER	DESCRIPTION	Fab Qty
1	1	A3070B	12 GA HRPO BOTTOM	
2	2	A3070F	12 GA HRPO BAFFLE (MAY BE 13 GA)	
3	1	A3070T	14 GA 4-WAY TOP	
4	1	AFS-301	13 GA HRPO Fill Ass'y Weld Flange	
5	2	DIFFUSER-ST	13 GA HRPO DIFFUSER	
6	1	SWF0375	3/8" NPTF STEEL WELD FLANGE	
7	2	SWF1500	1 1/2" NPSC STEEL WELD FLANGE	
8	2	US0002	13 GA HRPO BEADED UPRIGHT HEAD	

AMERICAN MOBILE POWER PH: (800) 634-8265 FAX: (765) 948-3403	DRAWING BY: BPKNIGHT	DESIGN FOR: AMERICAN MOBILE POWER	FILE NAME: A3070	
	COMPLETED: 11/3/2006		SHEET: 3 of 9	SHEET SIZE: B