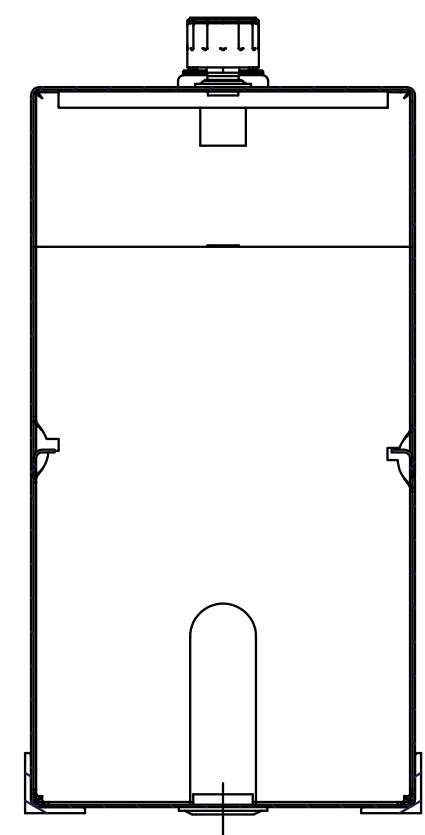
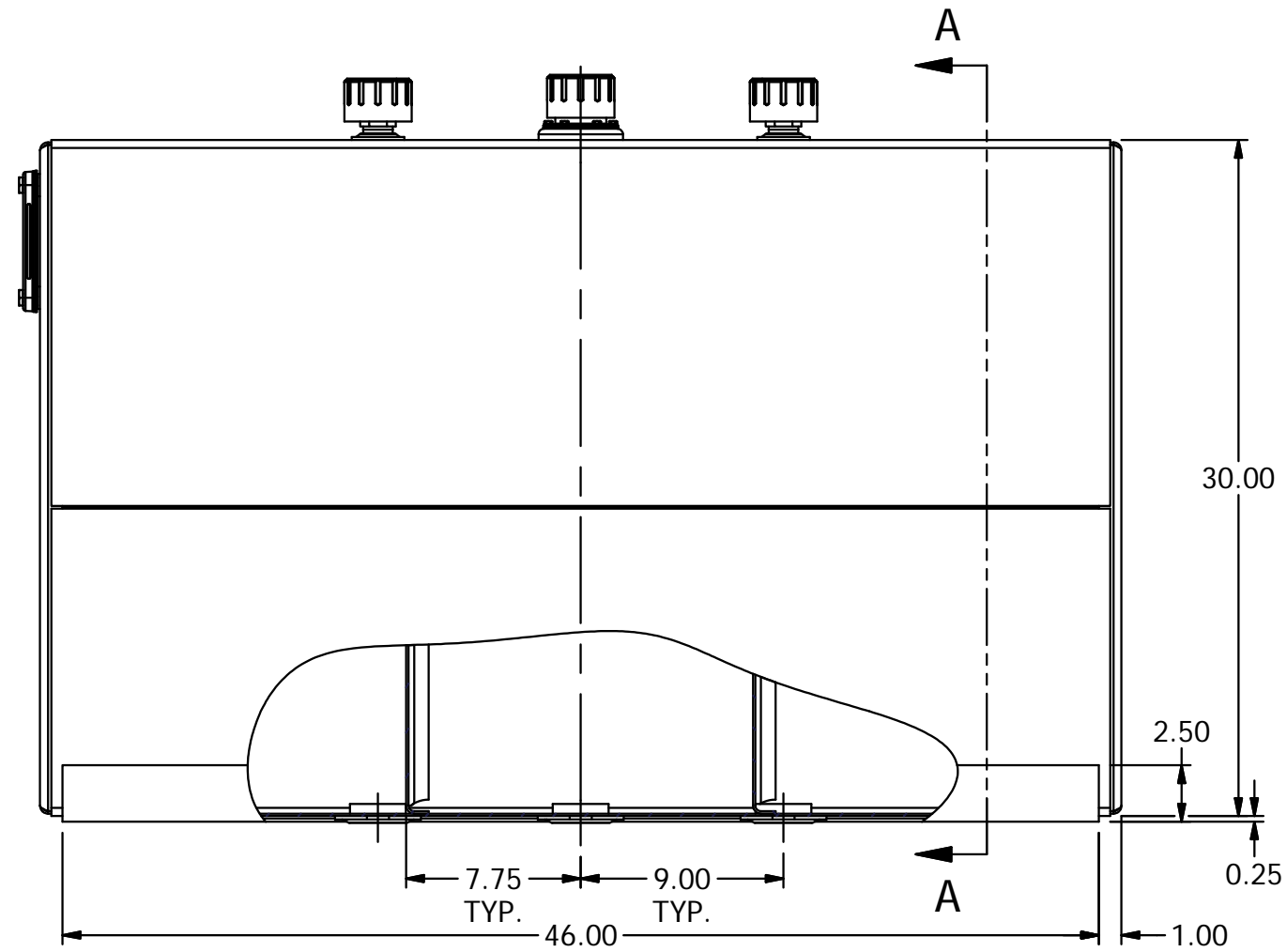
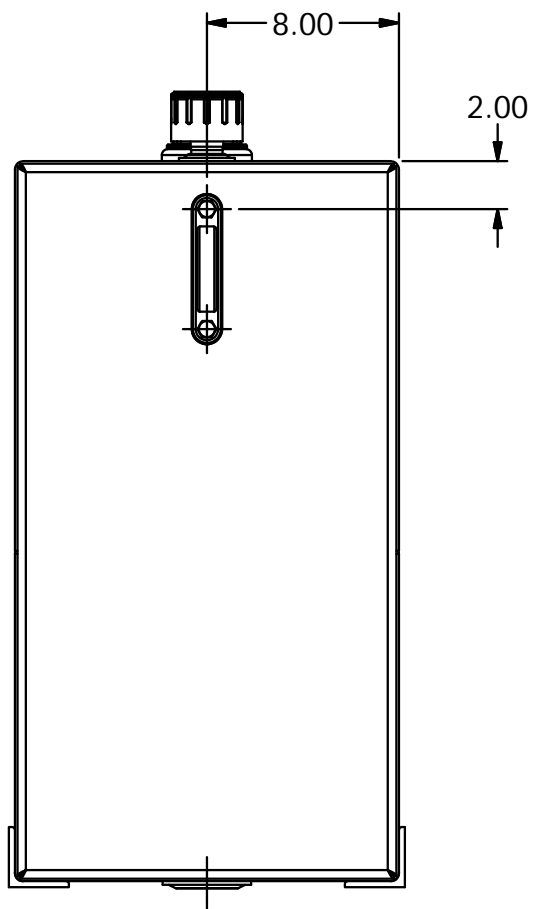
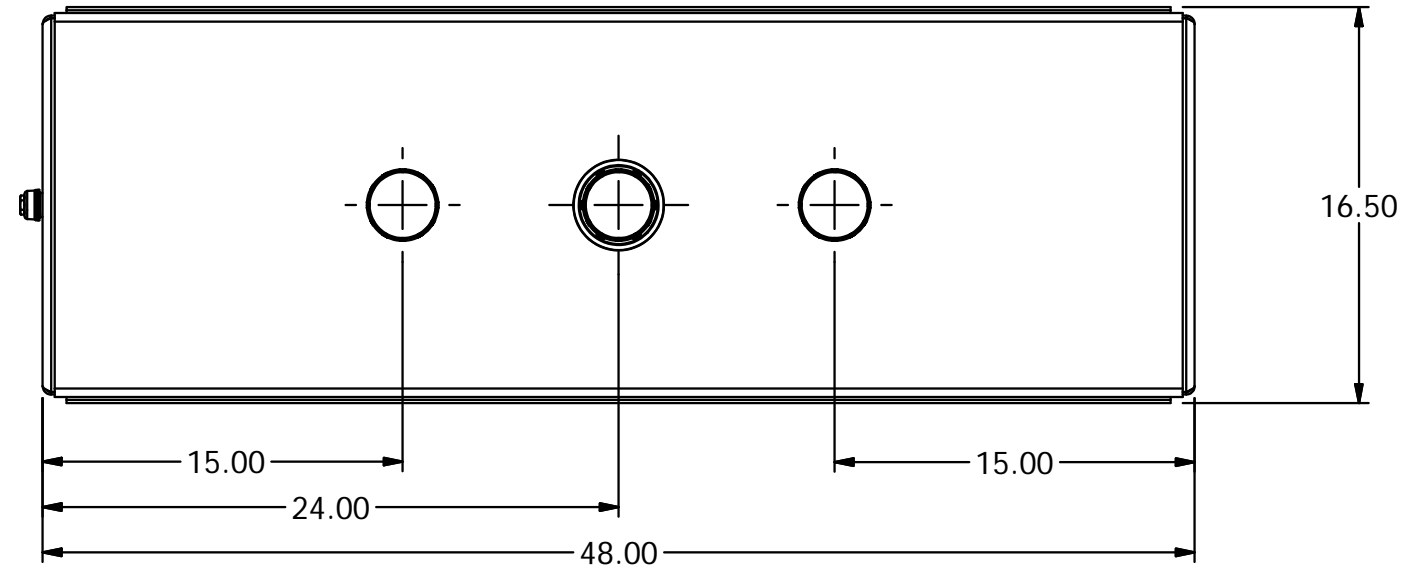
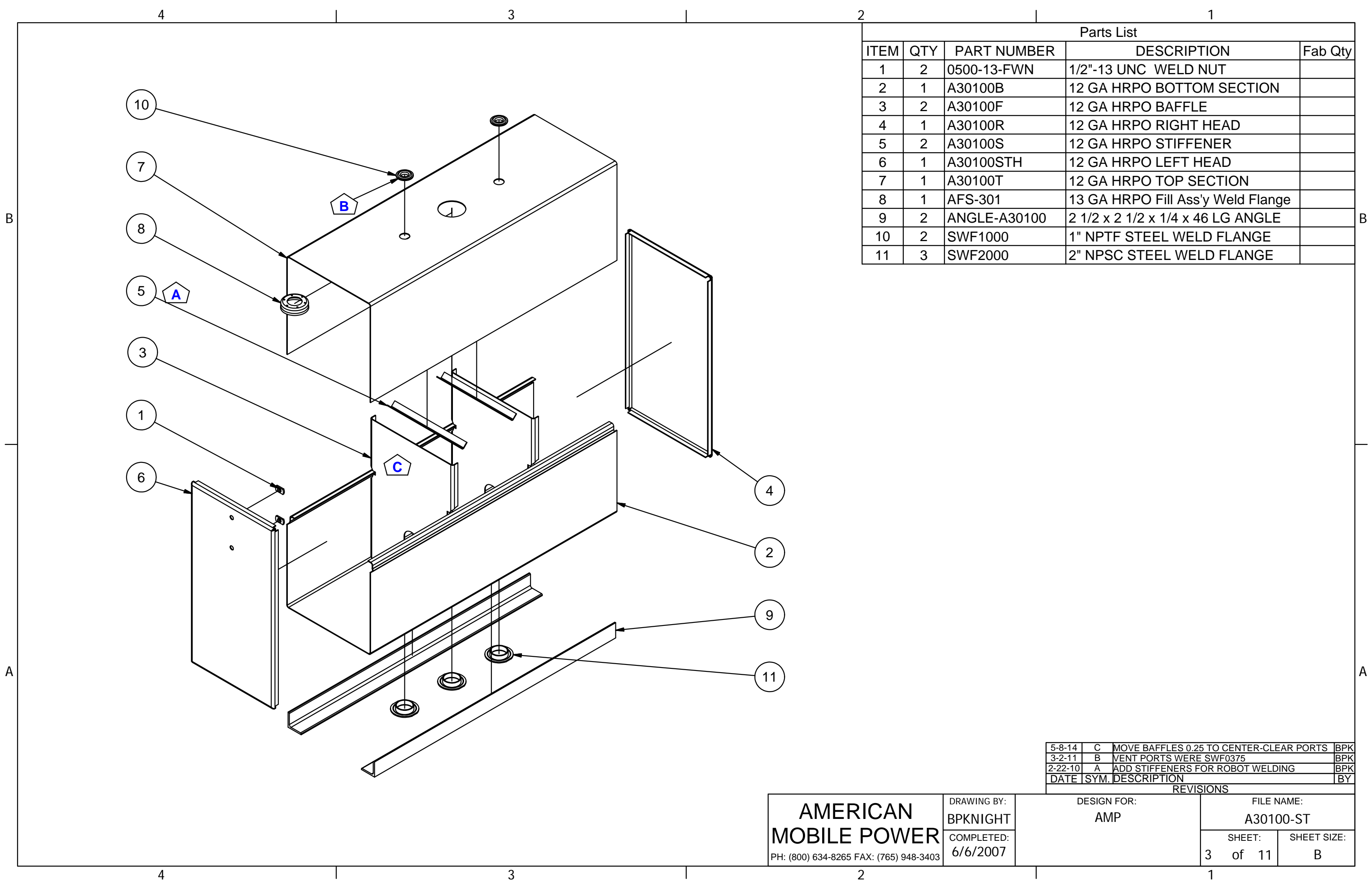


REVISIONS			
DATE	SYM.	DESCRIPTION	BY
5-8-14	C	MOVE BAFFLES 0.25 TO CENTER-CLEAR PORTS	BPK



SECTION A-A

AMERICAN MOBILE POWER PH: (800) 634-8265 FAX: (765) 948-3403	DRAWING BY: BPKNIGHT	DESIGN FOR: AMP	FILE NAME: A30100-ST	
	COMPLETED: 6/6/2007		SHEET: 2 of 11	SHEET SIZE: B



Parts List				
ITEM	QTY	PART NUMBER	DESCRIPTION	Fab Qty
1	2	0500-13-FWN	1/2"-13 UNC WELD NUT	
2	1	A30100B	12 GA HRPO BOTTOM SECTION	
3	2	A30100F	12 GA HRPO BAFFLE	
4	1	A30100R	12 GA HRPO RIGHT HEAD	
5	2	A30100S	12 GA HRPO STIFFENER	
6	1	A30100STH	12 GA HRPO LEFT HEAD	
7	1	A30100T	12 GA HRPO TOP SECTION	
8	1	AFS-301	13 GA HRPO Fill Ass'y Weld Flange	
9	2	ANGLE-A30100	2 1/2 x 2 1/2 x 1/4 x 46 LG ANGLE	
10	2	SWF1000	1" NPTF STEEL WELD FLANGE	
11	3	SWF2000	2" NPSC STEEL WELD FLANGE	

DATE	SYM.	DESCRIPTION	BY
5-8-14	C	MOVE BAFFLES 0.25 TO CENTER-CLEAR PORTS	BPK
3-2-11	B	VENT PORTS WERE SWF0375	BPK
2-22-10	A	ADD STIFFENERS FOR ROBOT WELDING	BPK

REVISIONS			
DRAWING BY:		DESIGN FOR:	FILE NAME:
BPKNIGHT		AMP	A30100-ST
COMPLETED:		SHEET:	SHEET SIZE:
6/6/2007		3 of 11	B

AMERICAN MOBILE POWER
 PH: (800) 634-8265 FAX: (765) 948-3403