

4

3

2

1

Parts List

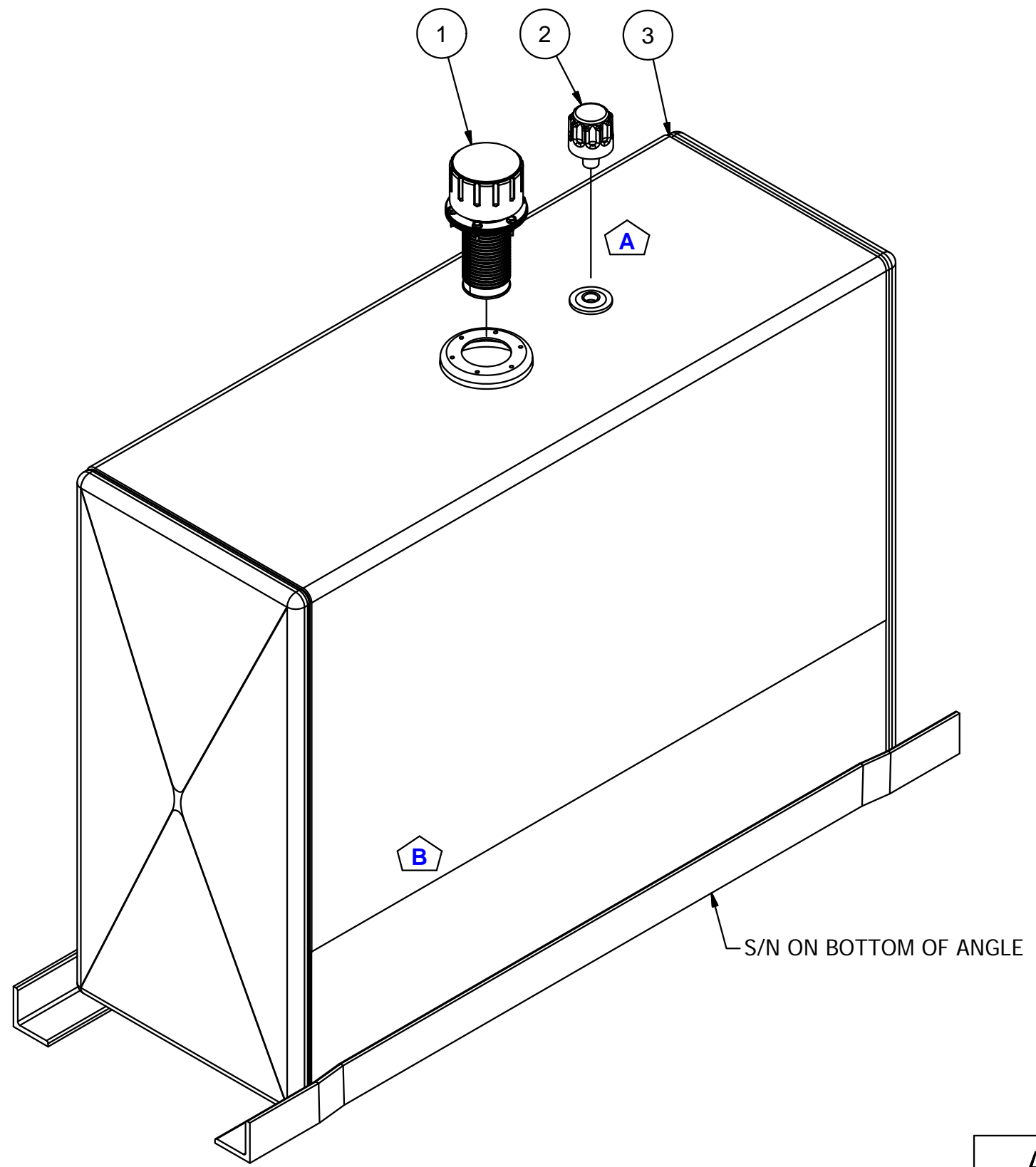
ITEM	QTY	PART NUMBER	DESCRIPTION
1	1	57XL-40N	40 MICRON FILL W/NYLON STRAINER
2	1	ABA-138	3/8" NPT VENT
3	1	N_A3000	NAM WELDMENT ~120 3/4 lbs

AMP PARTS INCLUDE:  
 -ASK-200 MOUNTING KIT

NOTES:  
 -POWDER COAT BLACK  
 -APPLY RUST INHIBITOR INSIDE  
 -PLUG ALL PORTS FOR SHIPMENT

B

B



A

A

4

3

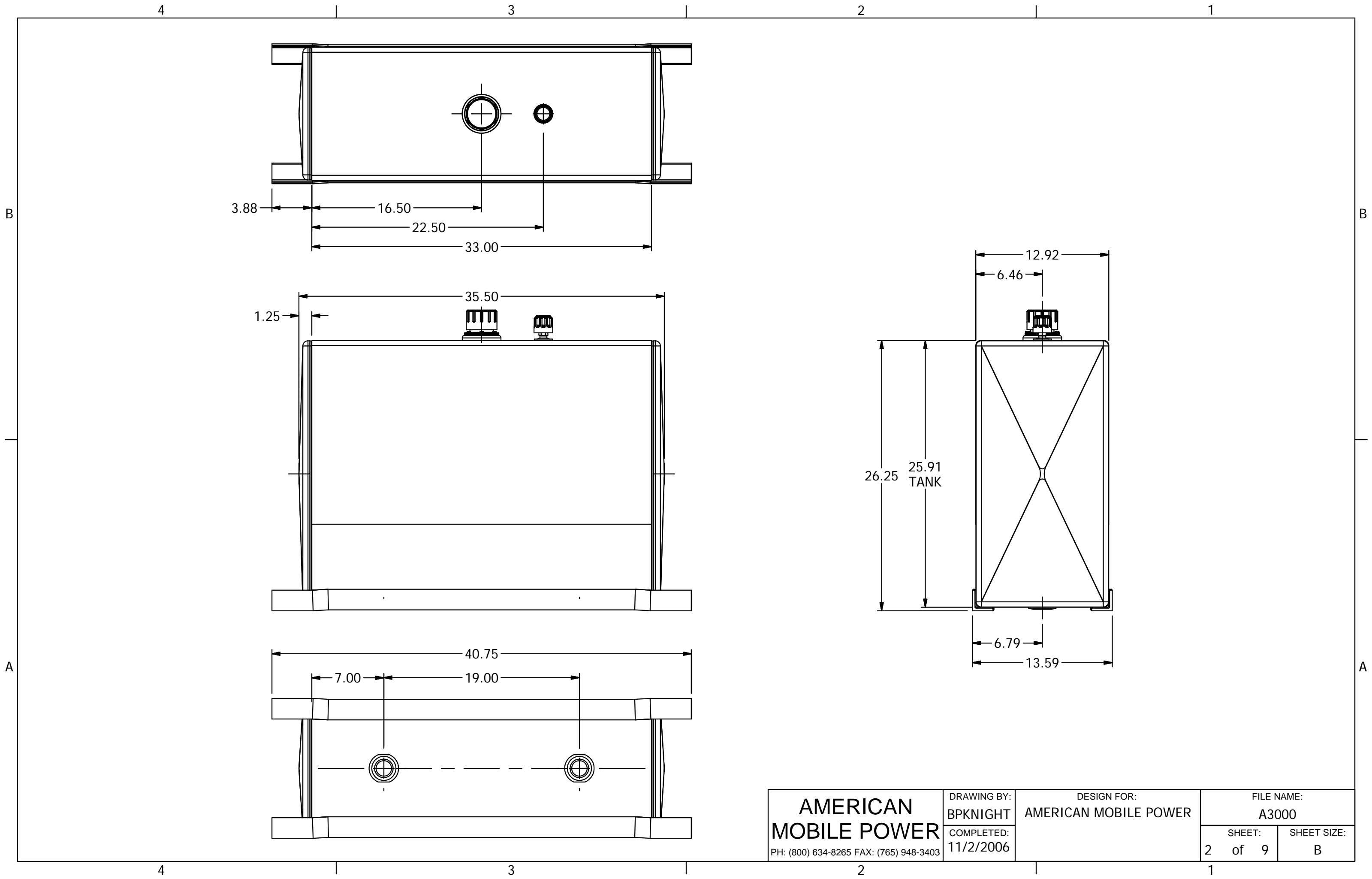
2

1

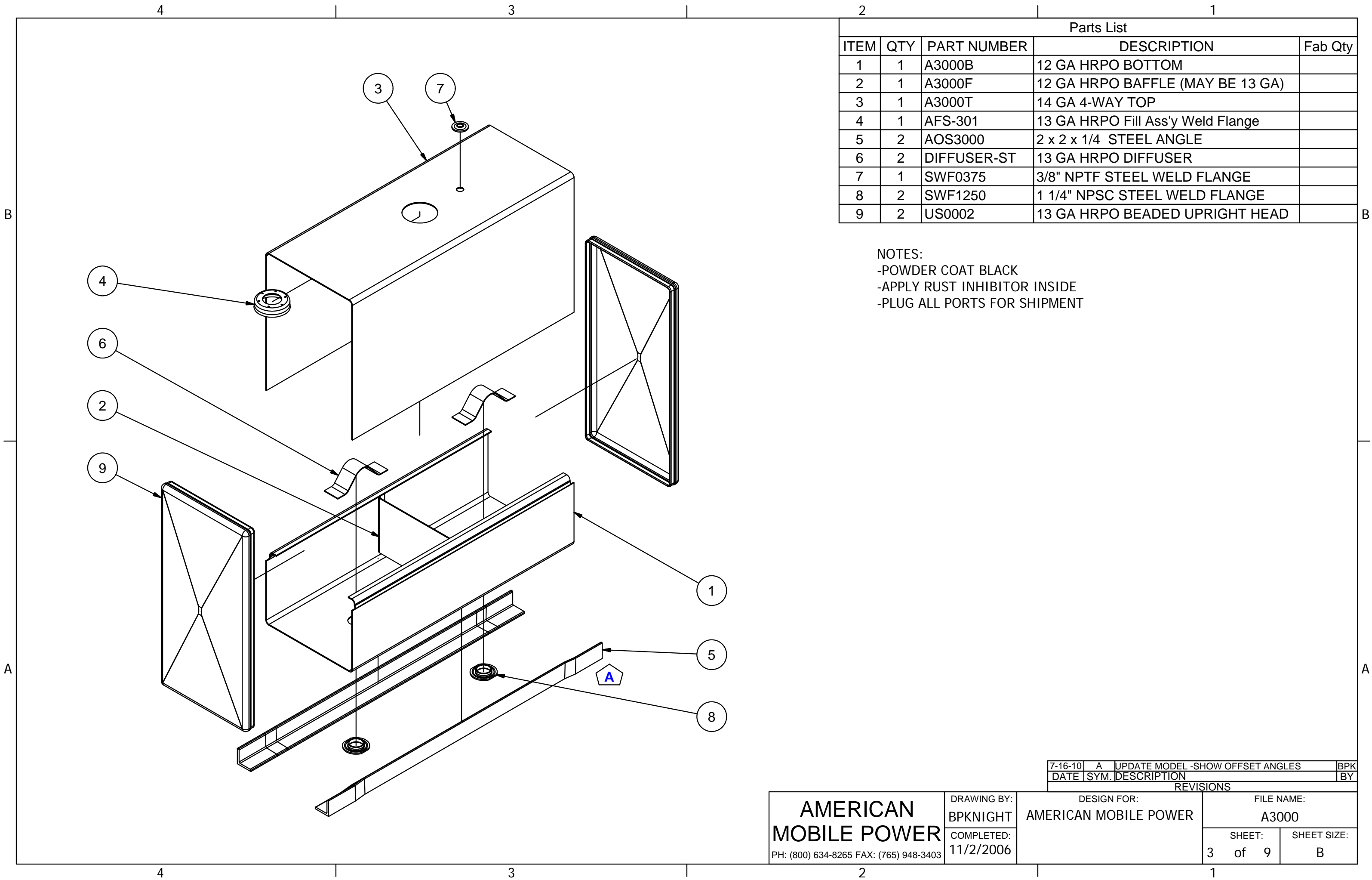
DATE	SYM.	DESCRIPTION	BY
5-26-11	B	UPDATED OFFSET DEPICTION	BPK
4-4-11	A	UPDATED VENT	BPK
11-3-06	N/A	SUPERSEDES MODEL A3000 DATED 4-25-2006	BPK

REVISIONS

<b>AMERICAN MOBILE POWER</b> PH: (800) 634-8265 FAX: (765) 948-3403	DRAWING BY: BPKNIGHT	DESIGN FOR: AMERICAN MOBILE POWER	FILE NAME: A3000	
	COMPLETED: 11/2/2006		SHEET: 1 of 9	SHEET SIZE: B



<b>AMERICAN MOBILE POWER</b> <small>PH: (800) 634-8265 FAX: (765) 948-3403</small>	DRAWING BY: BPKNIGHT	<small>DESIGN FOR:</small> <b>AMERICAN MOBILE POWER</b>	FILE NAME: A3000	
	COMPLETED: 11/2/2006		SHEET: 2 of 9	SHEET SIZE: B



Parts List				
ITEM	QTY	PART NUMBER	DESCRIPTION	Fab Qty
1	1	A3000B	12 GA HRPO BOTTOM	
2	1	A3000F	12 GA HRPO BAFFLE (MAY BE 13 GA)	
3	1	A3000T	14 GA 4-WAY TOP	
4	1	AFS-301	13 GA HRPO Fill Ass'y Weld Flange	
5	2	AOS3000	2 x 2 x 1/4 STEEL ANGLE	
6	2	DIFFUSER-ST	13 GA HRPO DIFFUSER	
7	1	SWF0375	3/8" NPTF STEEL WELD FLANGE	
8	2	SWF1250	1 1/4" NPSC STEEL WELD FLANGE	
9	2	US0002	13 GA HRPO BEADED UPRIGHT HEAD	

NOTES:  
 -POWDER COAT BLACK  
 -APPLY RUST INHIBITOR INSIDE  
 -PLUG ALL PORTS FOR SHIPMENT

DATE	SYM.	DESCRIPTION	BY
7-16-10	A	UPDATE MODEL -SHOW OFFSET ANGLES	BPK

<b>AMERICAN MOBILE POWER</b> PH: (800) 634-8265 FAX: (765) 948-3403	DRAWING BY: BPKNIGHT	DESIGN FOR: AMERICAN MOBILE POWER	FILE NAME: A3000	
	COMPLETED: 11/2/2006		SHEET: 3 of 9	SHEET SIZE: B