

Parts List			
ITEM	QTY	PART NUMBER	DESCRIPTION
1	6	32581	10-32x1/2 Thread-Rolling Screw HexWasherHead
2	1	57XL-40N	40 MICRON FILL W/NYLON STRAINER
3	1	A2000-DATA_ST	.03 MILL ALUMINUM (S/T GAUGE)
4	2	A2000PW	.062 UHMW PORT WASHER
5	1	ADA-250	2" TO 1 1/4" DIFFUSER SCREEN
6	1	AMB-312	AMP ASSEMBLY 23.20 lbs
7	1	ARB-1610-Z	REDUCER BUSHING, 2" NPT x 1 1/4" NPT
8	4	ASK-200	CHASSIS MOUNTING KIT
9	1	M_A2000S	PE SHELL w/THREADED INSERTS
9.1	1	A2000S	POLYETHYLENE SHELL 50.7 GAL GS. CAP.
9.2	2	ATC-2000PN	PORT NUT, 3 1/4" HEX, 2 5/8-12 UN Thread
10	1	T-LLG-5	SIGHT/TEMP. GAUGE, 5"
11	1	TAG_OVAL_AMP	DATA TAG w/MOUNTING SCREWS
12	4	WASHER-ST	.50 ID x 1.00 OD x .10 NEOPRENE Flat Washer

NOTES:  
 -THE FOLLOWING ITEMS SHIP LOOSE:  
 +57XL-40N w/ (6) 32581 SCREWS  
 +ADA-250 DIFFUSER  
 +ARB-1610-Z REDUCER BUSHING  
 +ASK-200 MOUNTING KIT  
 +A2000-DATA-CAB (SHOWN BELOW)  
 -ALL OTHER PARTS ARE FULLY ASSEMBLED

4.10

**IN-CAB DATA: SECURE IN PROMINENT VIEW**

**NOTICE**

**A2000 POLYETHYLENE TANK:**  
**For End Dump Trailer Application Only**

**DUTY CYCLE:** Not to exceed five minutes of continuous operation.  
**OPERATING TEMPERATURE:** Not to exceed 180°F.  
**HOSE LINES:** Must be supported to relieve any stress on tank ports.

Failure to maintain the above parameters may result in damage to tank and/or voiding of warranty.

With proper installation and operation, the A2000 will provide years of service.  
 If, at any time over the life of the tank, seepage occurs at the port(s), the tank has been compromised. **DO NOT** attempt repair. Contact your distributor.

2.85

1-25-12	A	ARB-1610-Z WAS 021-2.00X1.25	BPK
DATE	SYM.	DESCRIPTION	BY

REVISIONS

<b>AMERICAN MOBILE POWER</b> PH: (800) 634-8265 FAX: (765) 948-3403	DRAWING BY: BPKNIGHT	DESIGN FOR: AMP	FILE NAME: A2000	
	COMPLETED: 9/7/2007		SHEET: 1 of 4	SHEET SIZE: B

ALL INFORMATION IN THIS DOCUMENT IS PROPRIETARY TO AMERICAN MOBILE POWER AND SHALL NOT BE COPIED OR REPRODUCED IN ANY FORM WITHOUT PERMISSION.

4

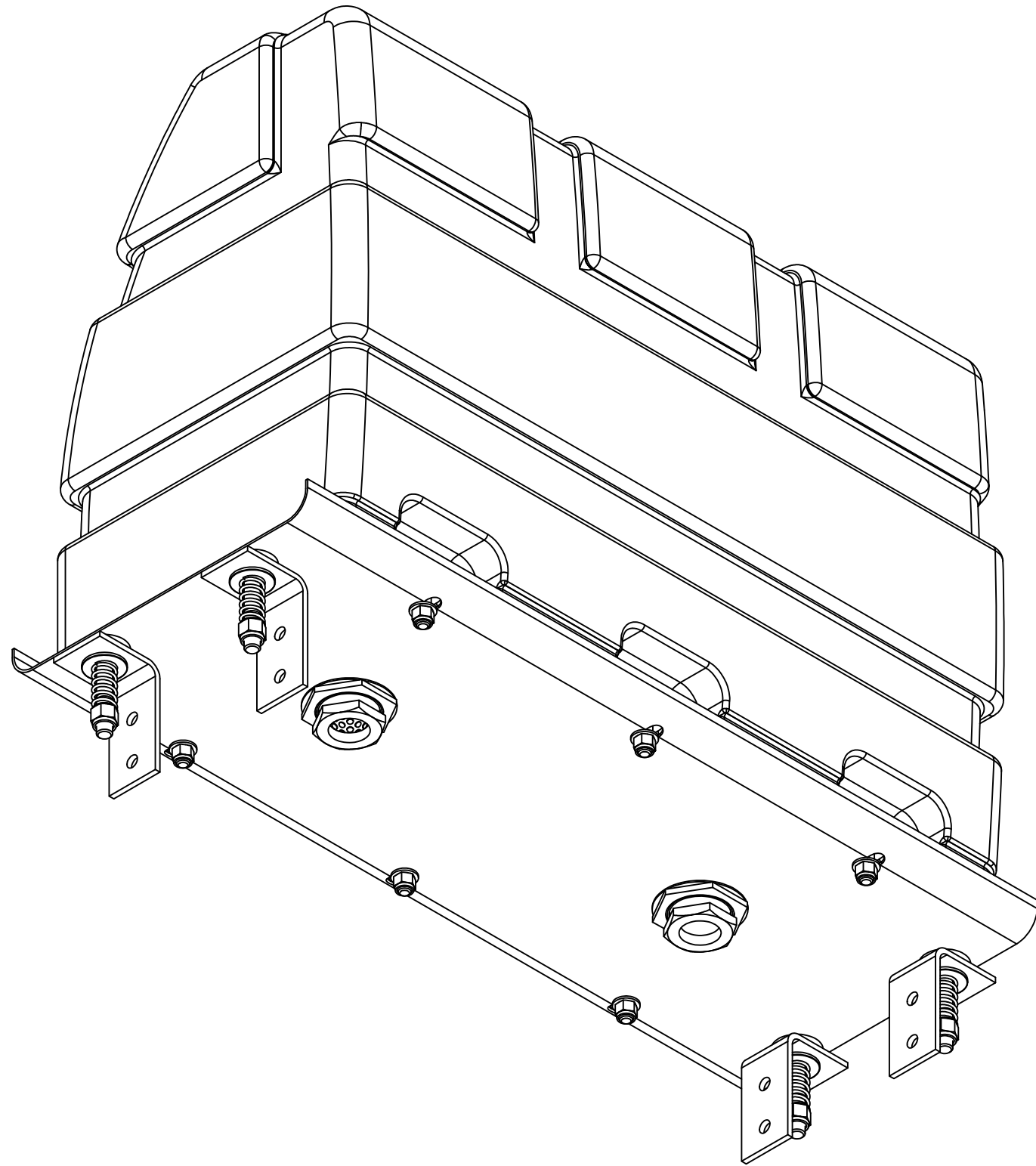
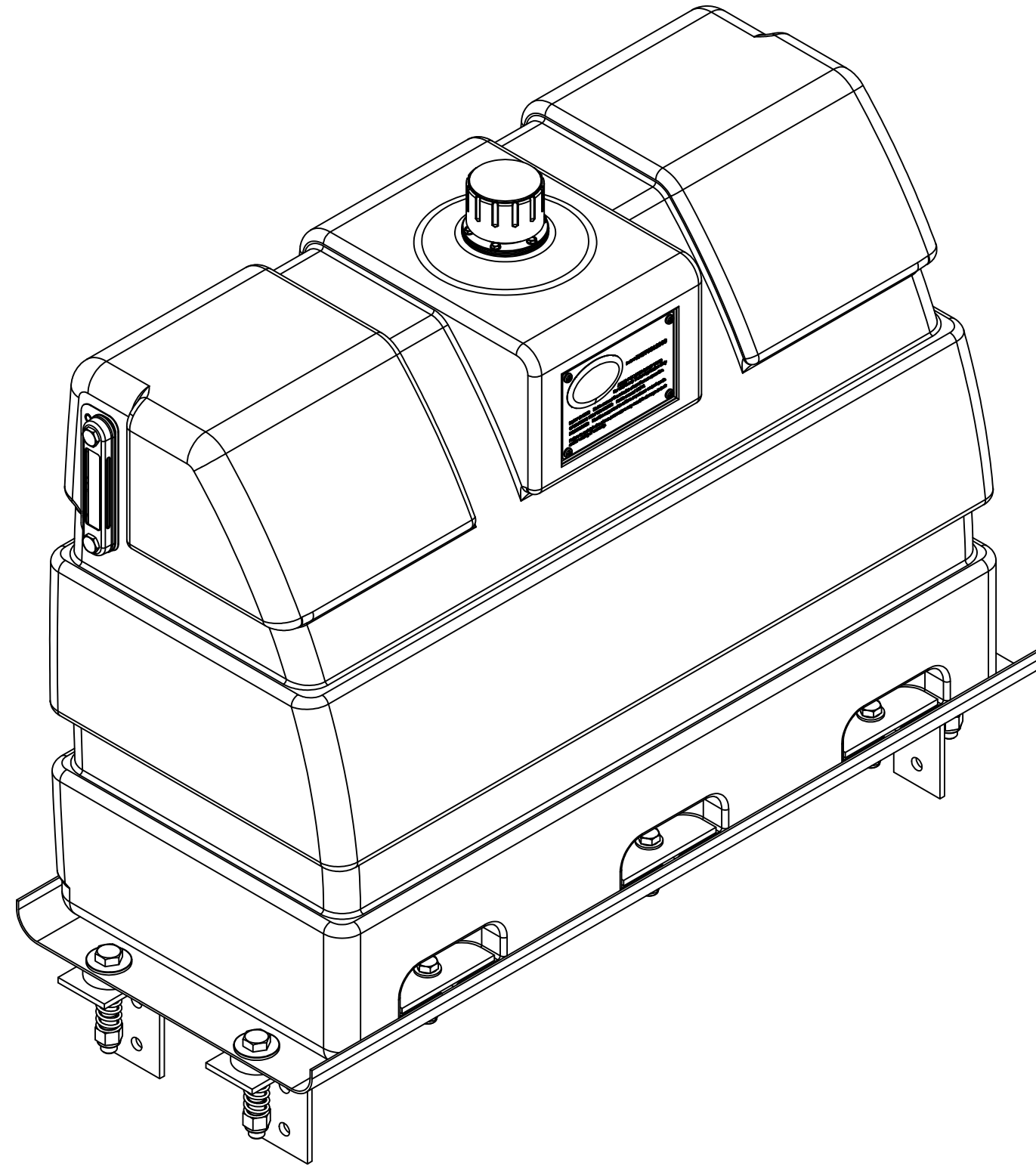
3

2

1

B

B



A

A

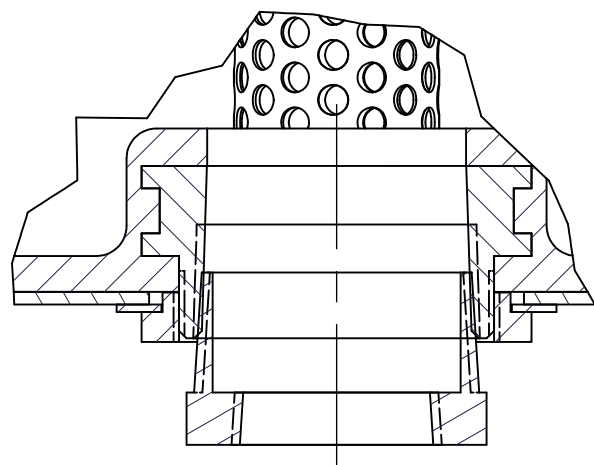
4

3

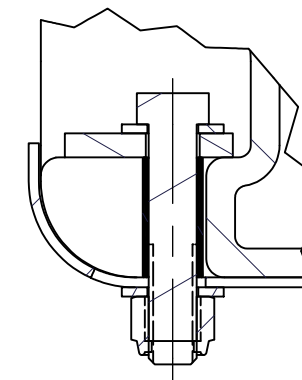
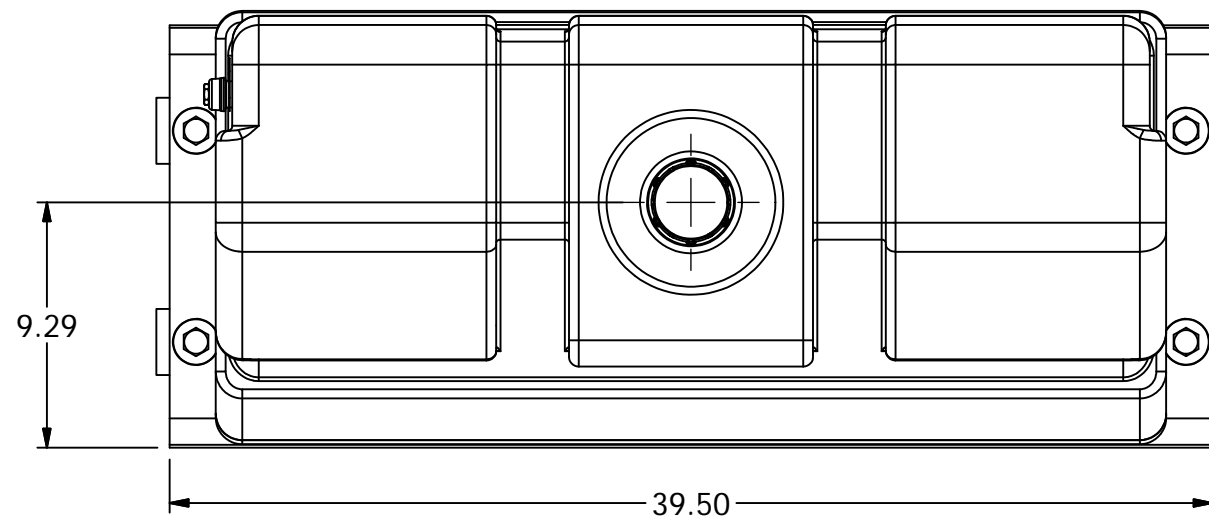
2

1

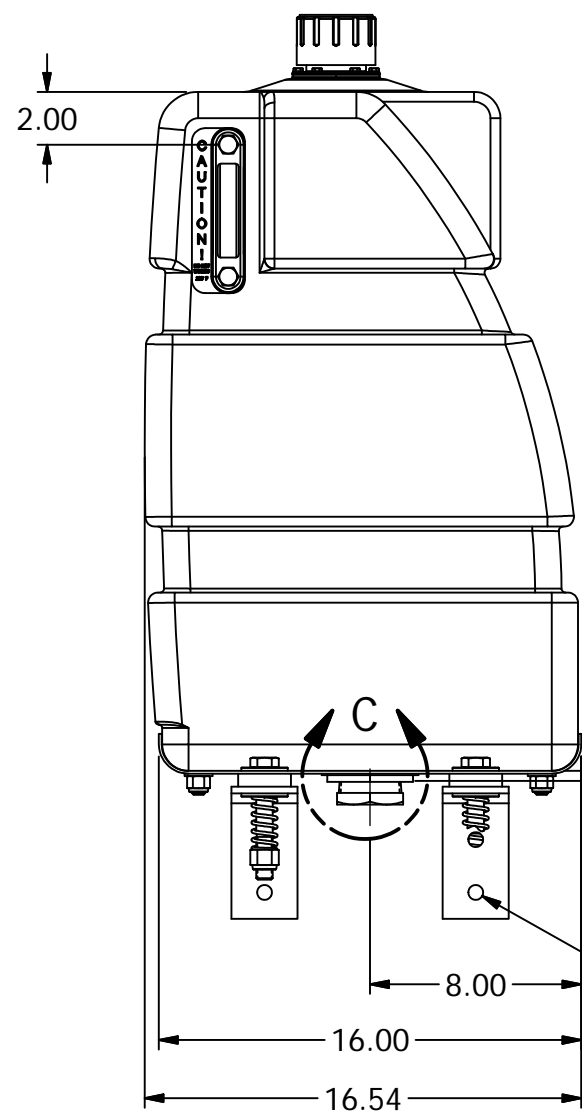
<b>AMERICAN MOBILE POWER</b> <small>PH: (800) 634-8265 FAX: (765) 948-3403</small>	DRAWING BY: <b>BPKNIGHT</b>	DESIGN FOR: <b>AMP</b>	FILE NAME: <b>A2000</b>	
	COMPLETED: <b>9/7/2007</b>		SHEET: <b>2 of 4</b>	SHEET SIZE: <b>B</b>



DETAIL C



DETAIL B

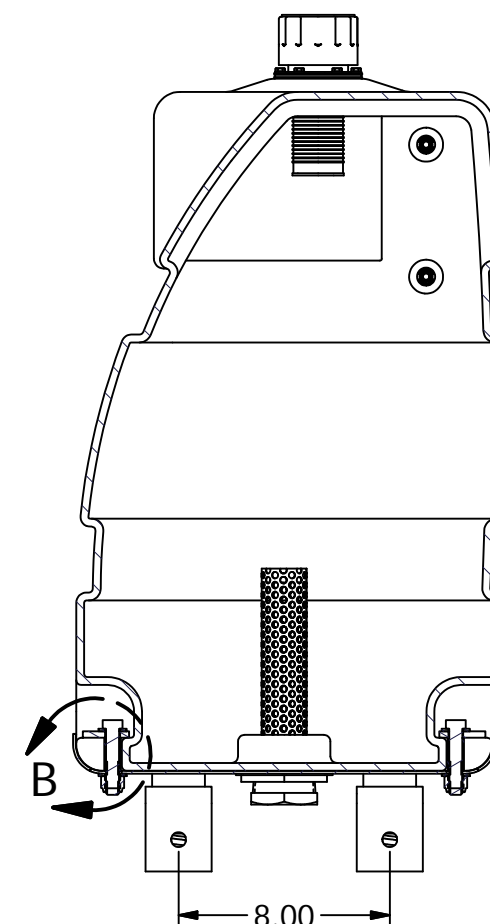
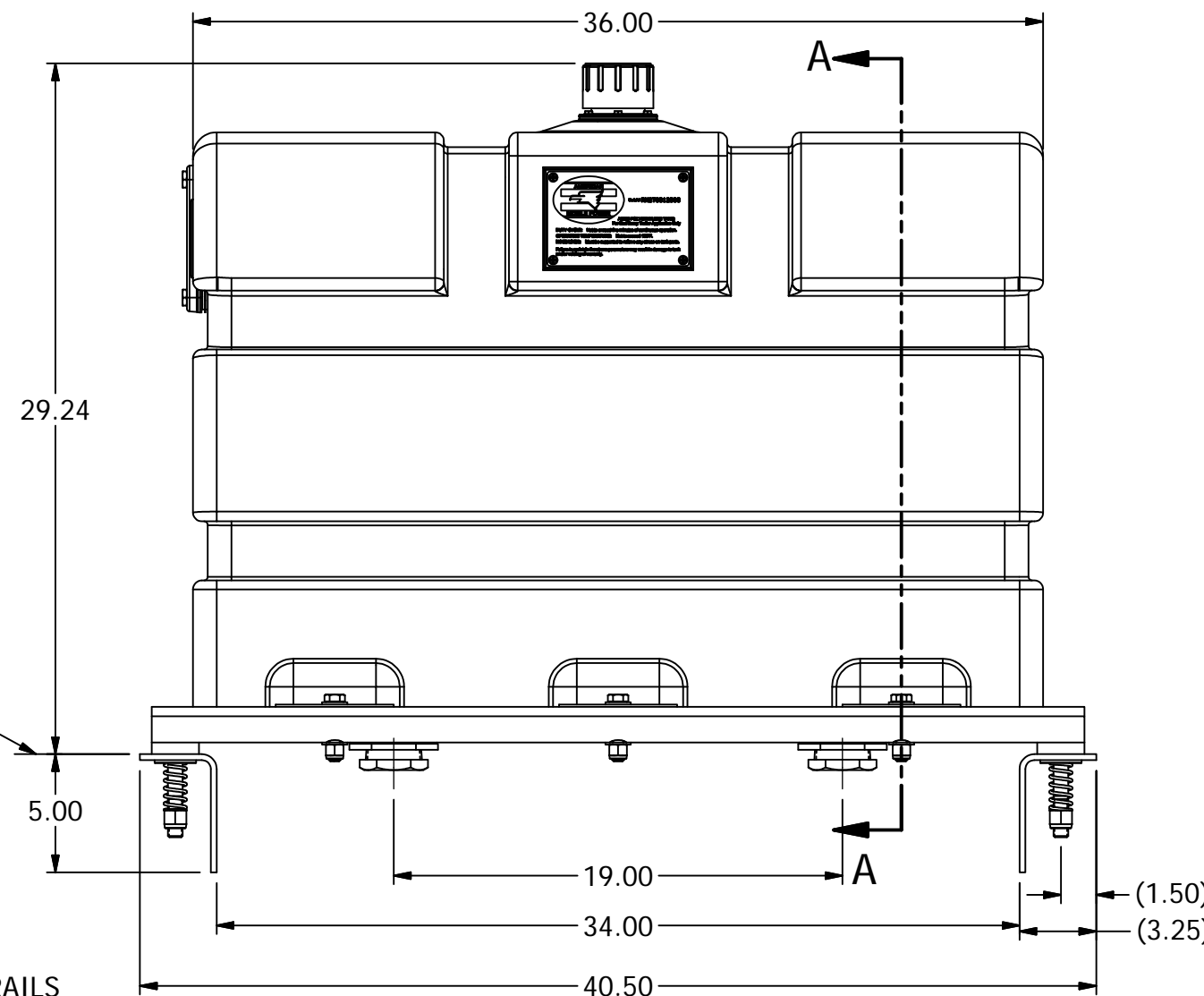


FLUSH WITH TRUCK RAIL

0.39

8.00

Ø0.56  
8 PLCS  
MATCH DRILL TRUCK RAILS  
AT INSTALLATION



SECTION A-A

ALL INFORMATION IN THIS DOCUMENT IS PROPRIETARY TO AMERICAN MOBILE POWER AND SHALL NOT BE COPIED OR REPRODUCED IN ANY FORM WITHOUT PERMISSION.

<b>AMERICAN MOBILE POWER</b> PH: (800) 634-8265 FAX: (765) 948-3403	DRAWING BY: BPKNIGHT	DESIGN FOR: AMP	FILE NAME: A2000	
	COMPLETED: 9/7/2007		SHEET: 3 of 4	SHEET SIZE: B