

4

3

2

1

Parts List

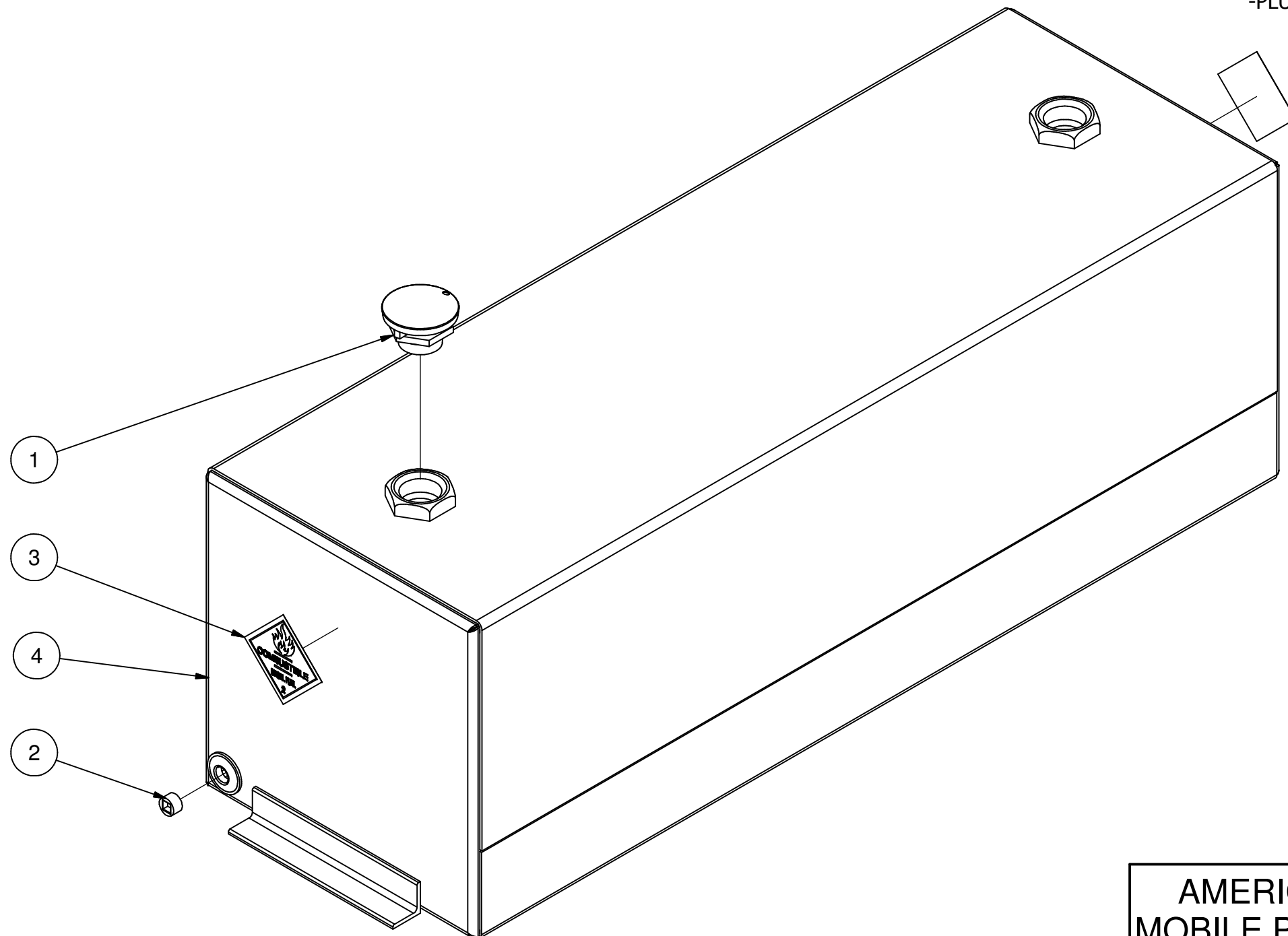
ITEM	QTY	PART NUMBER	DESCRIPTION
1	1	906001-4	2" NPT LOCKING VENTED DIESEL FILL CAP
2	1	APP0750-M	3/4" NPT MAG PLUG
3	2	DIESEL-2	4x4 RED/WHITE PEEL-N-STICK
4	1	N_ATT41020	NAM WELDMENT ~99 1/2 lbs

FILL CAP SHOWN FOR REFERENCE;  
MAY BE INSTALLED IN EITHER PORT.

NOTE:  
-PLUG ALL PORTS FOR SHIPMENT

B

B



A

A

DATE	SYM.	DESCRIPTION	BY
12-4-07	A	REVISED BOTTOM AND BAFFLES	BPK
6-4-07	N/A	ADD STICKERS	BPK

REVISIONS

<b>AMERICAN MOBILE POWER</b> PH: (800) 634-8265 FAX: (765) 948-3403	DRAWING BY: MRH	DESIGN FOR: AMP	FILE NAME: ATT41020	
	COMPLETED: 2/8/2003		SHEET: 1 of 11	SHEET SIZE: B

4

3

2

1

4

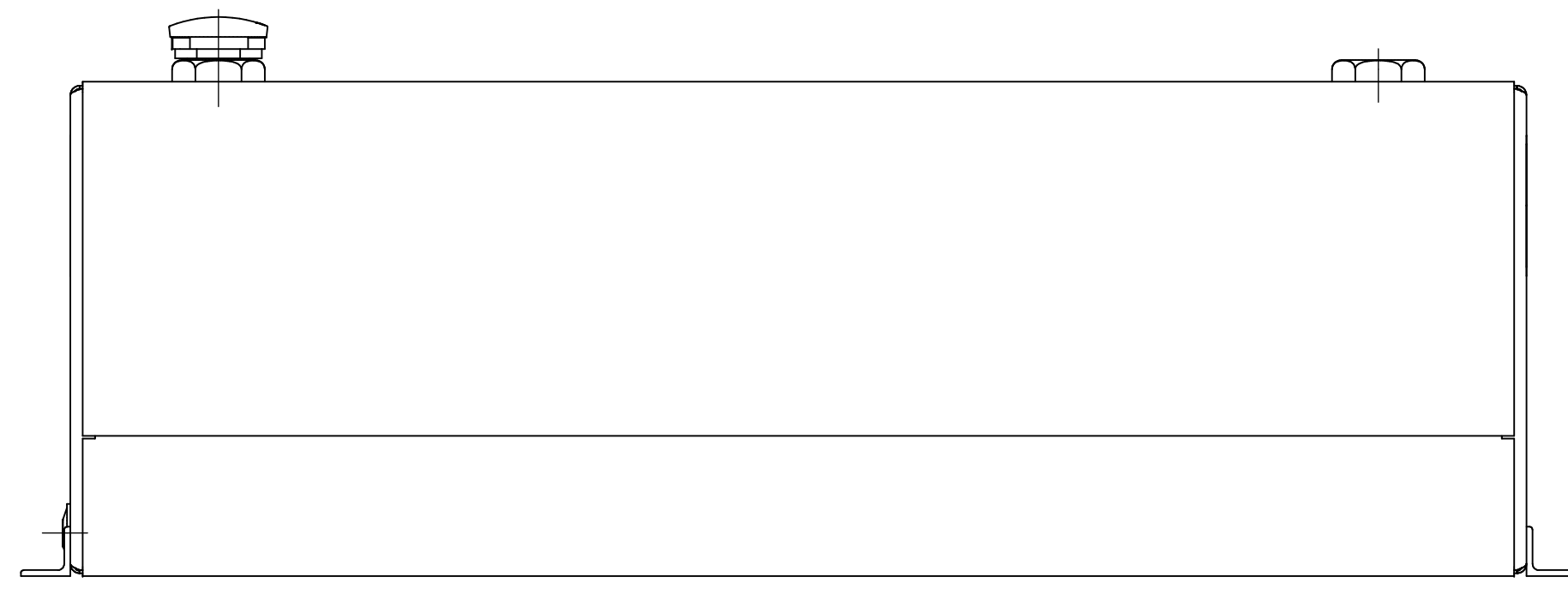
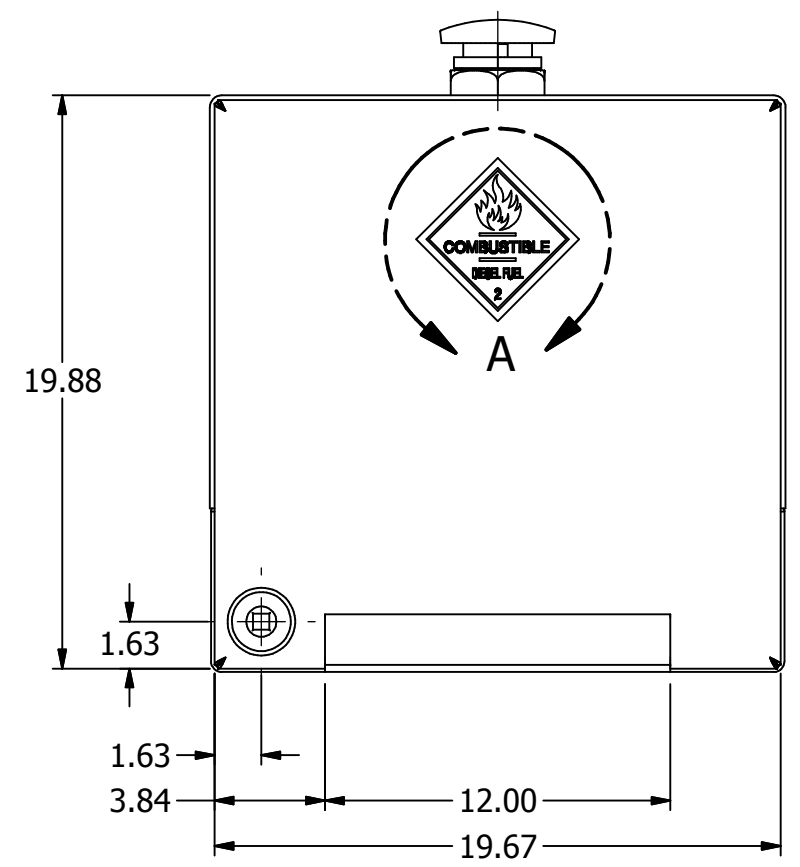
3

2

1



DETAIL A



<b>AMERICAN MOBILE POWER</b> <small>PH: (800) 634-8265 FAX: (765) 948-3403</small>	DRAWING BY: MRH	DESIGN FOR: <b>AMP</b>	FILE NAME: <b>ATT41020</b>	
	COMPLETED: <b>2/8/2003</b>		SHEET: <b>2 of 11</b>	SHEET SIZE: <b>B</b>

4

3

2

1

B

B

A

A

4

3

2

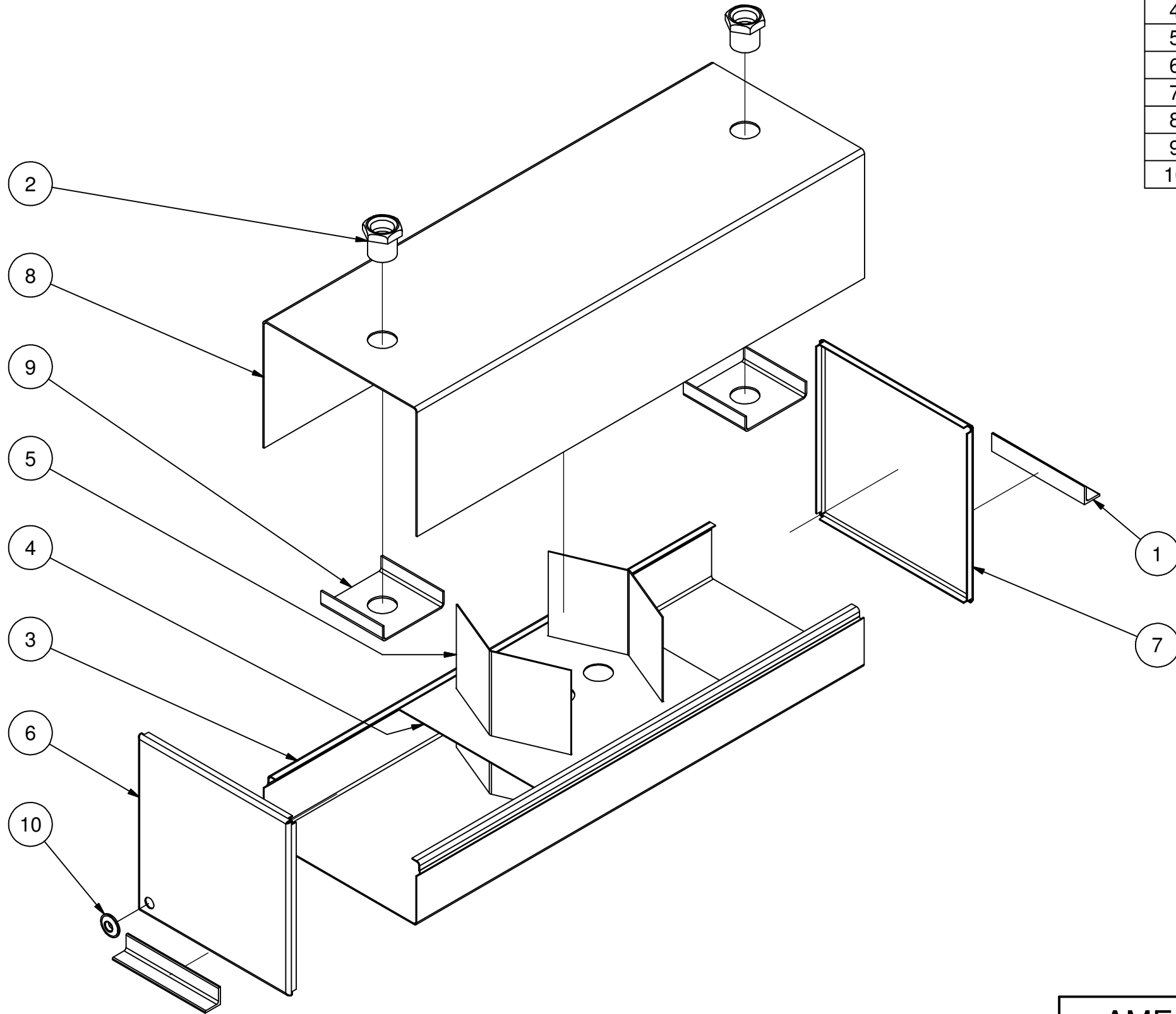
1

Parts List

ITEM	QTY	PART NUMBER	DESCRIPTION	Fab Qty
1	2	ANGLE-AL-12IN	2 x 2 x 1/4 x 12 LG ALUMINUM ANGLE	
2	2	ATF2000	2" NPT ALUM TRANSFER PUMP FITTING	
3	1	ATT41020BT	.125 MILL ALUMINUM BOTTOM	
4	1	ATT41020FH	.125 MILL ALUM. BAFFLE HORIZ.	
5	2	ATT41020FI	.125 MILL ALUM. BAFFLE INSERT	
6	1	ATT41020LH	.125 MILL ALUMINUM LEFT HEAD	
7	1	ATT41020RH	.125 MILL ALUMINUM RIGHT HEAD	
8	1	ATT41020TP	.125 3003 TREAD BRITE TOP SECTION	
9	2	ATTSUPPORT	.190 MILL ALUMINUM SUPPORT PLATE	
10	1	AWF0750	3/4" NPTF 6061-T6 WELD FLANGE	

B

B



NOTE:  
-PLUG ALL PORTS FOR SHIPMENT

A

A

4

3

2

1

12-4-07	A	REVISED BOTTOM AND BAFFLES	BPK
DATE	SYM.	DESCRIPTION	BY

REVISIONS

<b>AMERICAN MOBILE POWER</b> PH: (800) 634-8265 FAX: (765) 948-3403	DRAWING BY: MRH	DESIGN FOR: AMP	FILE NAME: ATT41020	
	COMPLETED: 2/8/2003		SHEET: 3 of 11	SHEET SIZE: B