

4

3

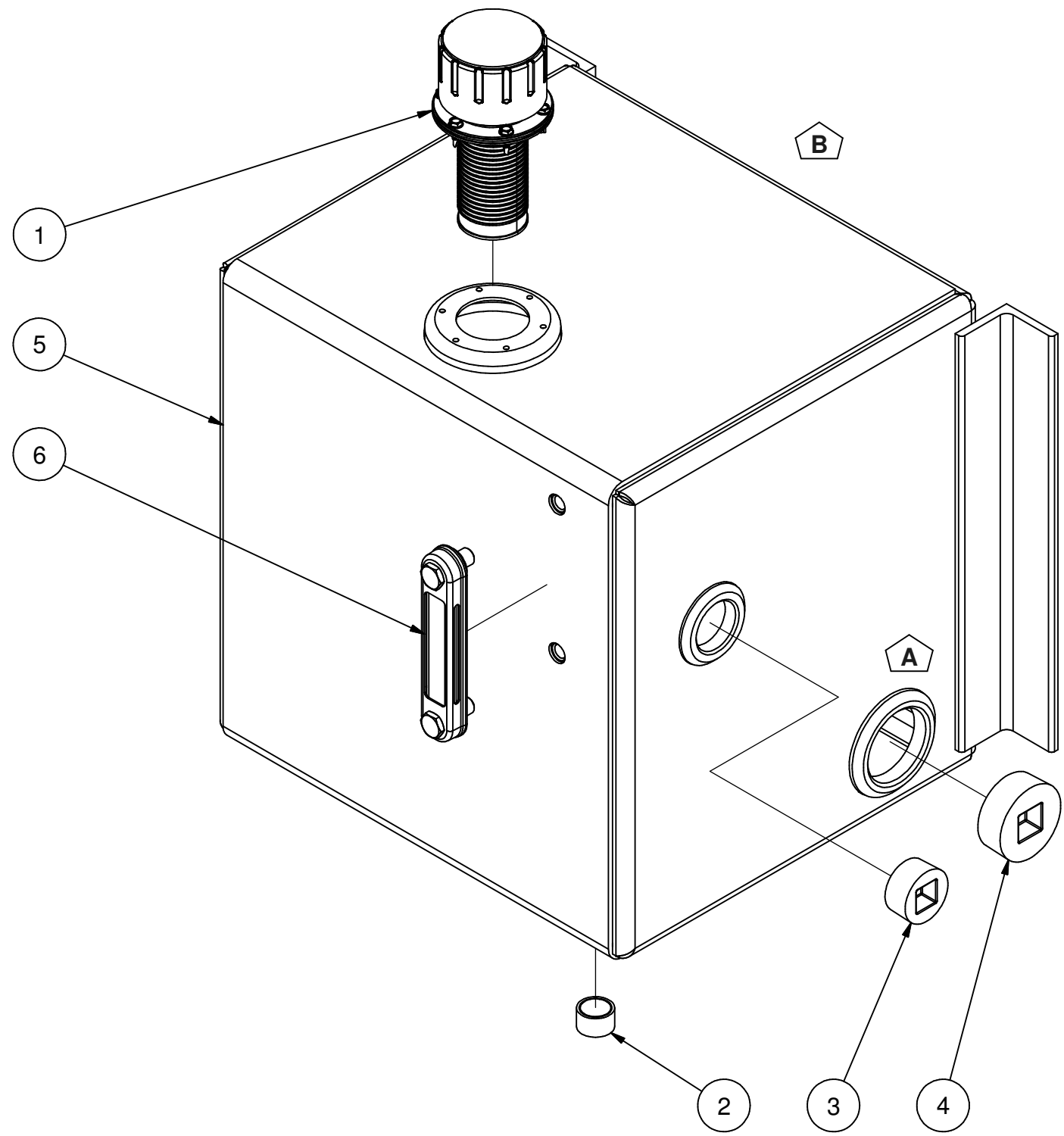
2

1

Parts List

ITEM	QTY	PART NUMBER	DESCRIPTION
1	1	57XL-40N	40 MICRON FILL W/NYLON STRAINER
2	1	APP0750-M	3/4" NPT MAG PLUG
3	1	APP1250	1 1/4" NPT SQUARE SOCKET PLUG
4	1	APP2000	2" NPT SQUARE SOCKET PLUG
5	1	N_A4150	16W16H14D NAM WELDMENT ~24 lbs
6	1	T-LLG-5	SIGHT/TEMP. GAUGE, 5"

NOTES:  
PLUG ALL PORTS FOR SHIPMENT



DATE	SYM.	DESCRIPTION	BY
4-3-06	B	DEMOTED TANK PARTS TO NAM ASSEMBLY	BPK
5-25-05	A	UPGRADED SIDE PORTS TO RM SERIES	BPK

<b>AMERICAN MOBILE POWER</b> PH: (800) 634-8265 FAX: (765) 948-3403	DRAWING BY: <b>MRH</b>	DESIGN FOR: <b>AMP</b>	FILE NAME: <b>A4150</b>	
	COMPLETED: <b>3/12/2001</b>		SHEET: <b>1 of 7</b>	SHEET SIZE: <b>B</b>

4

3

2

1

B

B

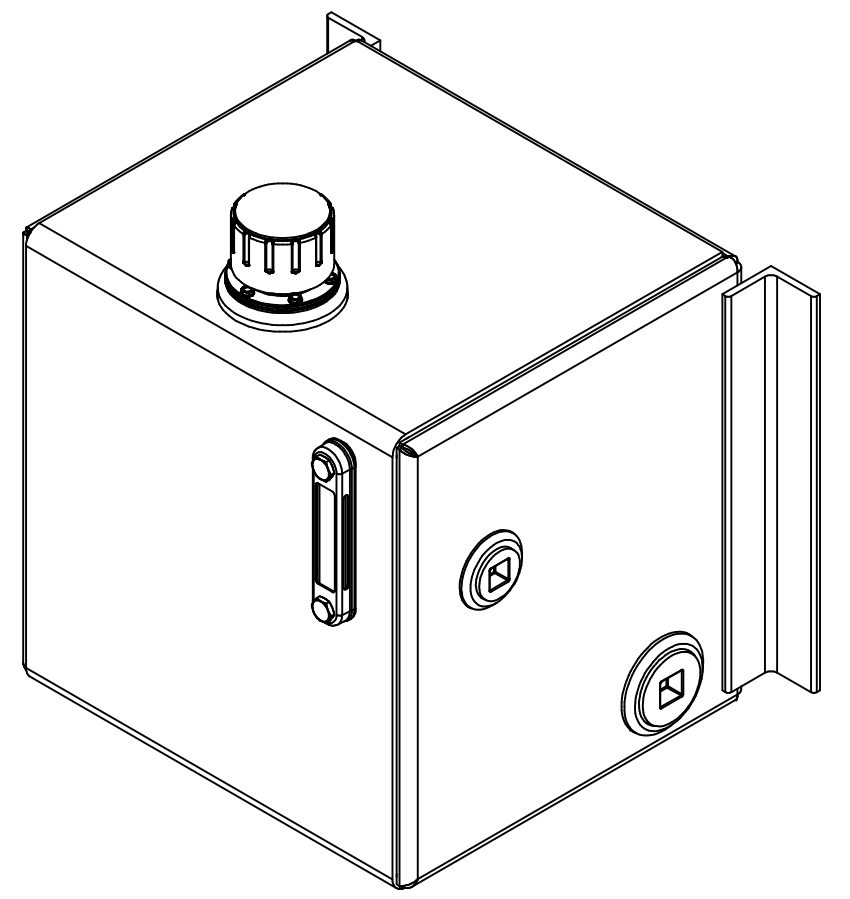
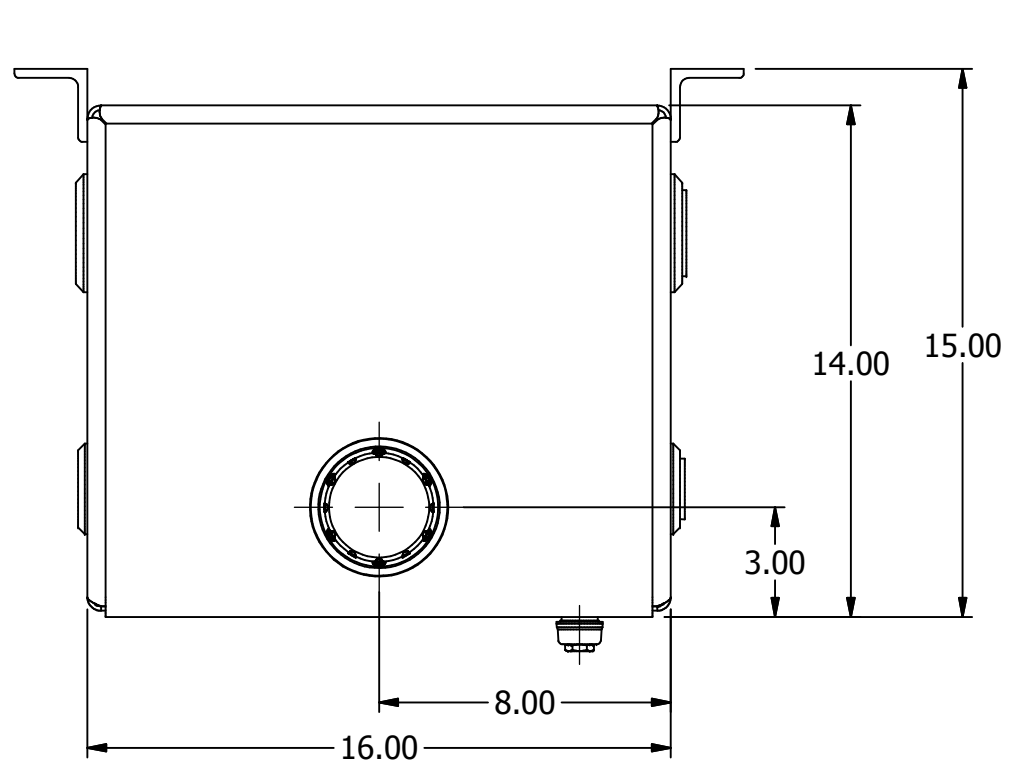
A

A

4 3 2 1

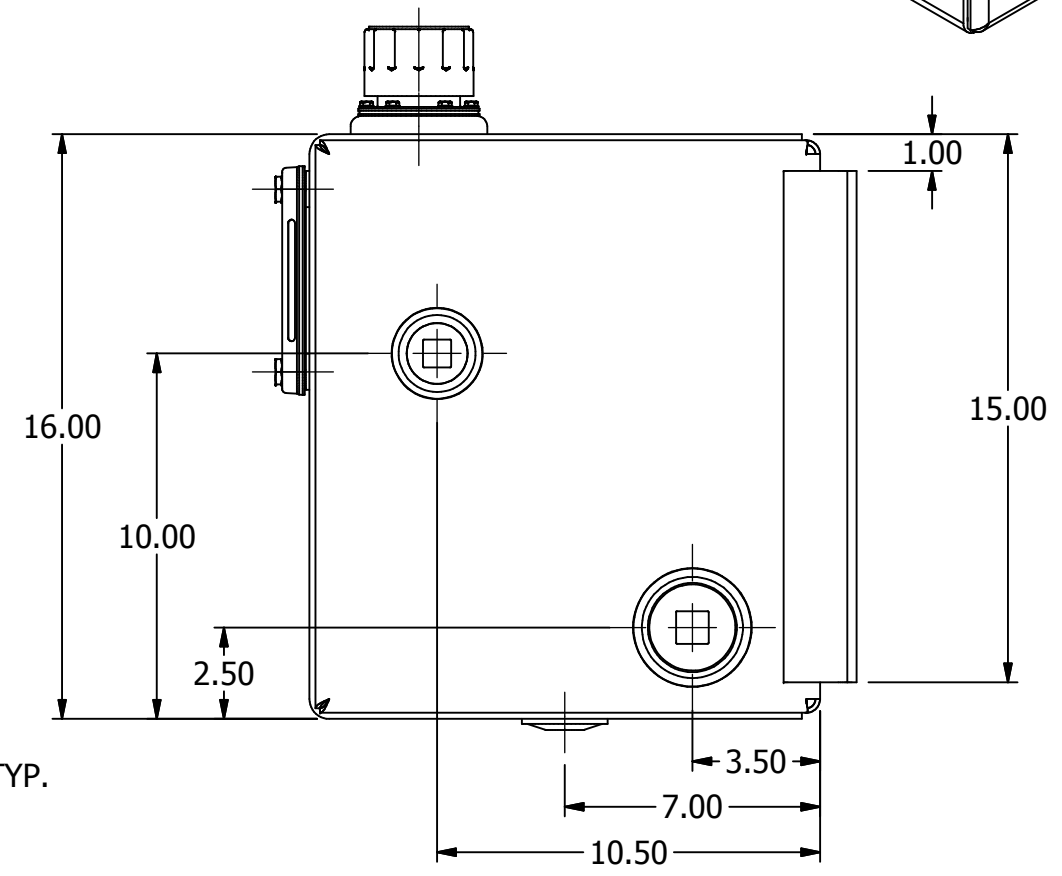
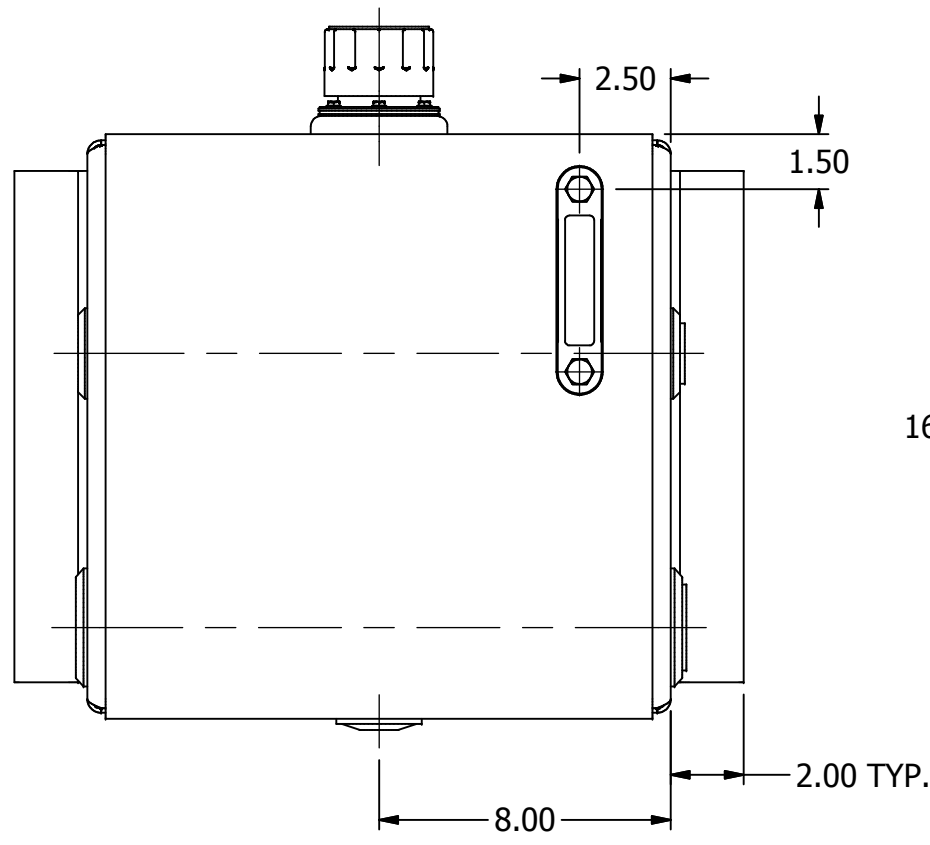
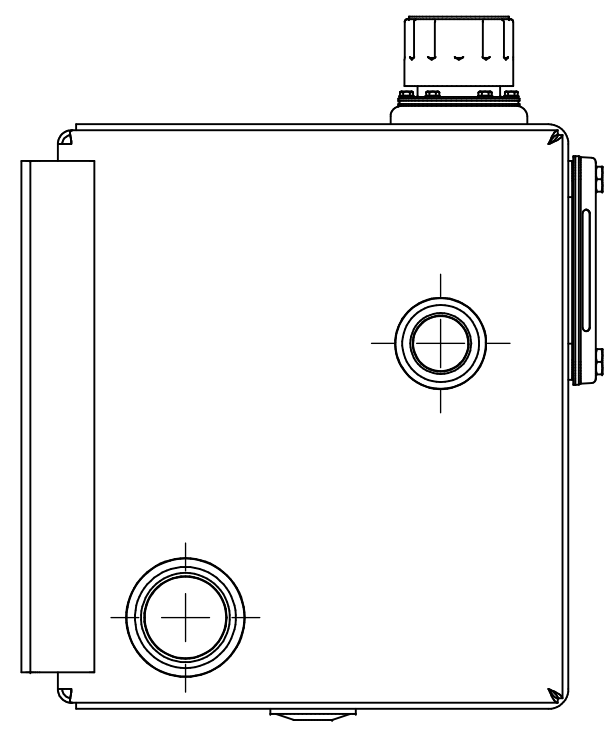
B

B



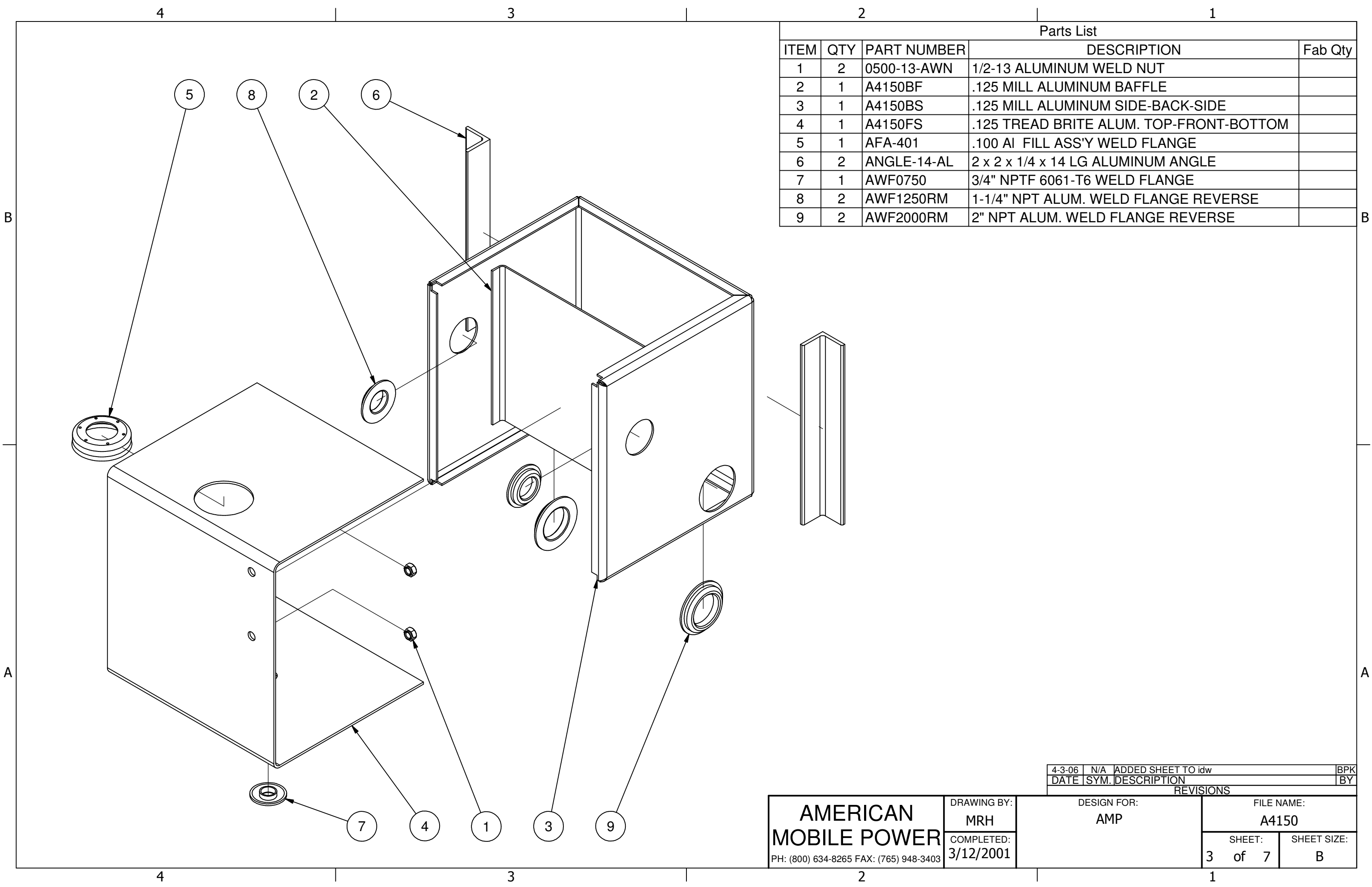
A

A



<b>AMERICAN MOBILE POWER</b> PH: (800) 634-8265 FAX: (765) 948-3403	DRAWING BY: <b>MRH</b>	DESIGN FOR: <b>AMP</b>	FILE NAME: <b>A4150</b>	
	COMPLETED: <b>3/12/2001</b>		SHEET: <b>2 of 7</b>	SHEET SIZE: <b>B</b>

4 3 2 1



Parts List				
ITEM	QTY	PART NUMBER	DESCRIPTION	Fab Qty
1	2	0500-13-AWN	1/2-13 ALUMINUM WELD NUT	
2	1	A4150BF	.125 MILL ALUMINUM BAFFLE	
3	1	A4150BS	.125 MILL ALUMINUM SIDE-BACK-SIDE	
4	1	A4150FS	.125 TREAD BRITE ALUM. TOP-FRONT-BOTTOM	
5	1	AFA-401	.100 AI FILL ASS'Y WELD FLANGE	
6	2	ANGLE-14-AL	2 x 2 x 1/4 x 14 LG ALUMINUM ANGLE	
7	1	AWF0750	3/4" NPTF 6061-T6 WELD FLANGE	
8	2	AWF1250RM	1-1/4" NPT ALUM. WELD FLANGE REVERSE	
9	2	AWF2000RM	2" NPT ALUM. WELD FLANGE REVERSE	

4-3-06	N/A	ADDED SHEET TO idw	BPK
DATE	SYM.	DESCRIPTION	BY

REVISIONS

<b>AMERICAN MOBILE POWER</b> PH: (800) 634-8265 FAX: (765) 948-3403	DRAWING BY: <b>MRH</b>	DESIGN FOR: <b>AMP</b>	FILE NAME: <b>A4150</b>	
	COMPLETED: <b>3/12/2001</b>	SHEET: <b>3 of 7</b>		SHEET SIZE: <b>B</b>