

4

3

2

1

Parts List

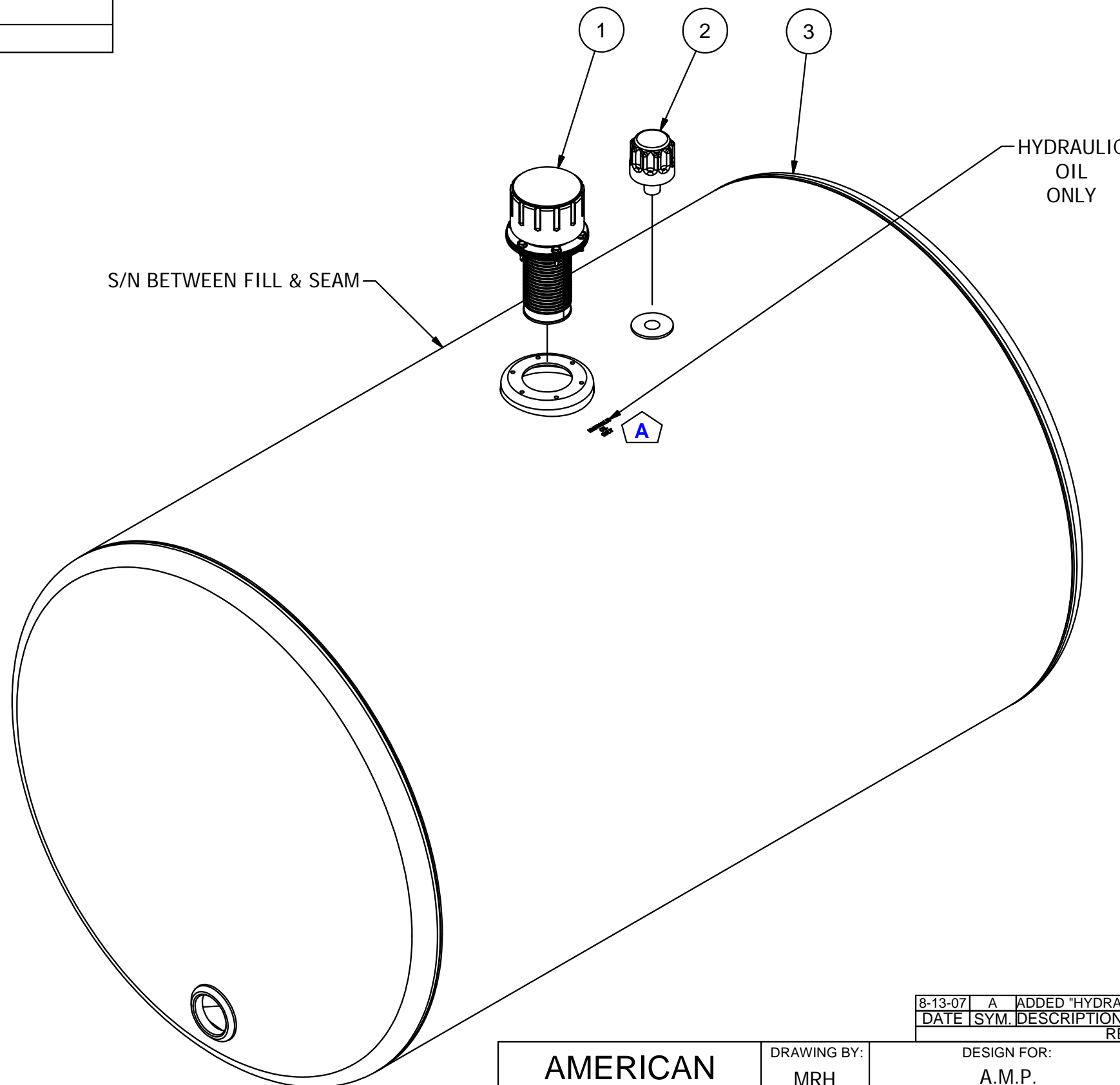
ITEM	QTY	PART NUMBER	DESCRIPTION
1	1	57XL-40N	40 MICRON FILL W/NYLON STRAINER
2	1	ABA-138	3/8" NPT VENT
3	1	N_A4575	NAM ASSEMBLY 43 1/4 lbs

AMP PARTS INCLUDE:

- AMK-624-C/3 MOUNTING KIT (STD) OR -S (UPGRADE)
- 1 1/2" STEEL PORT PLUG

NOTE:

- PLUG ALL PORTS FOR SHIPMENT



DATE	SYM.	DESCRIPTION	BY
8-13-07	A	ADDED "HYDRAULIC OIL ONLY" STAMP	BPK

REVISIONS

<b>AMERICAN MOBILE POWER</b> PH: (800) 634-8265 FAX: (765) 948-3403	DRAWING BY: MRH	DESIGN FOR: A.M.P.	FILE NAME: A4575	
	COMPLETED: 4/7/2003		SHEET: 1 of 5	SHEET SIZE: B

4

3

2

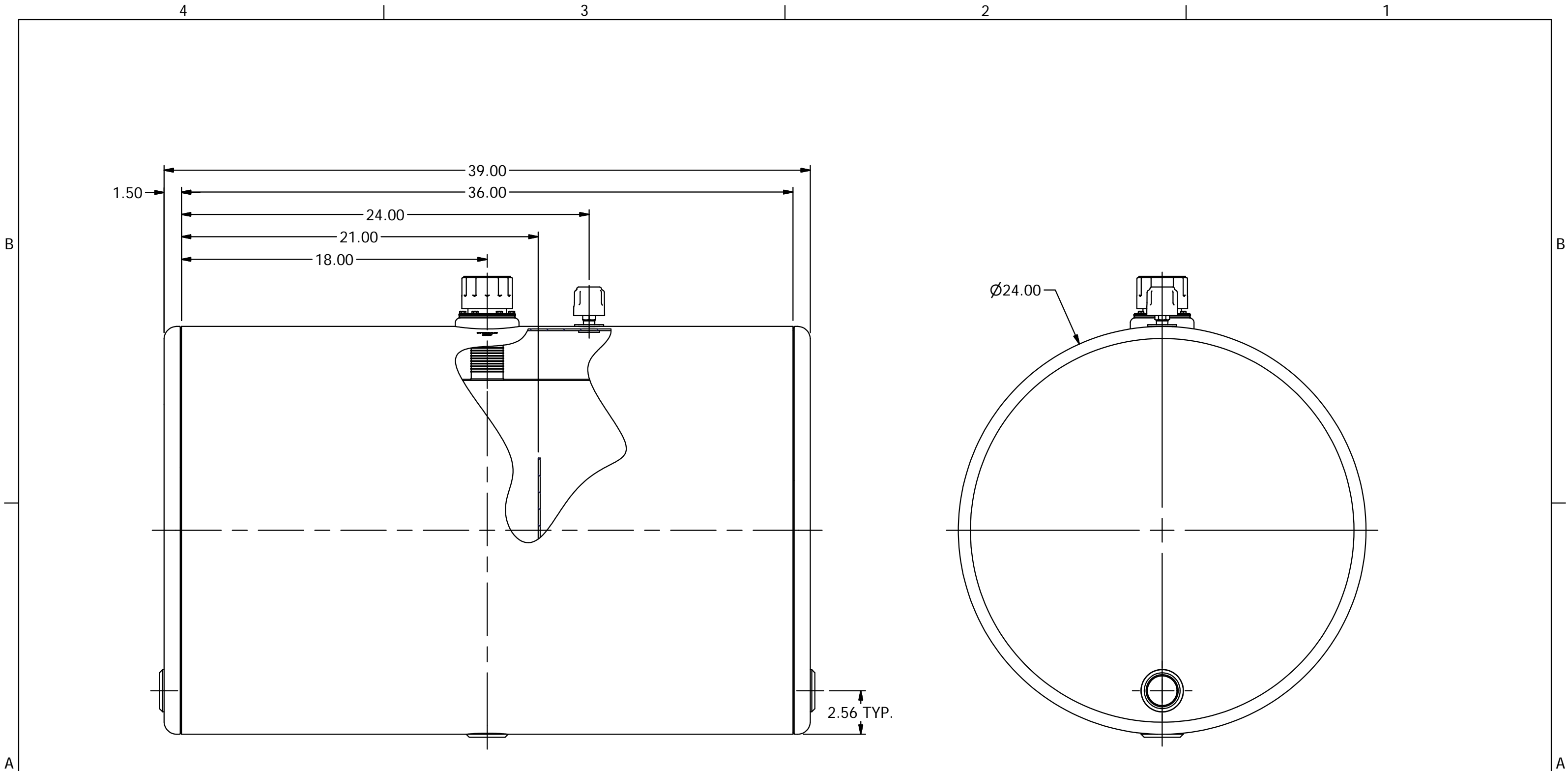
1

A

A

B

B



<b>AMERICAN MOBILE POWER</b> <small>PH: (800) 634-8265 FAX: (765) 948-3403</small>	DRAWING BY: MRH	DESIGN FOR: A.M.P.	FILE NAME: A4575	
	COMPLETED: 4/7/2003		SHEET: 2 of 5	SHEET SIZE: B

4

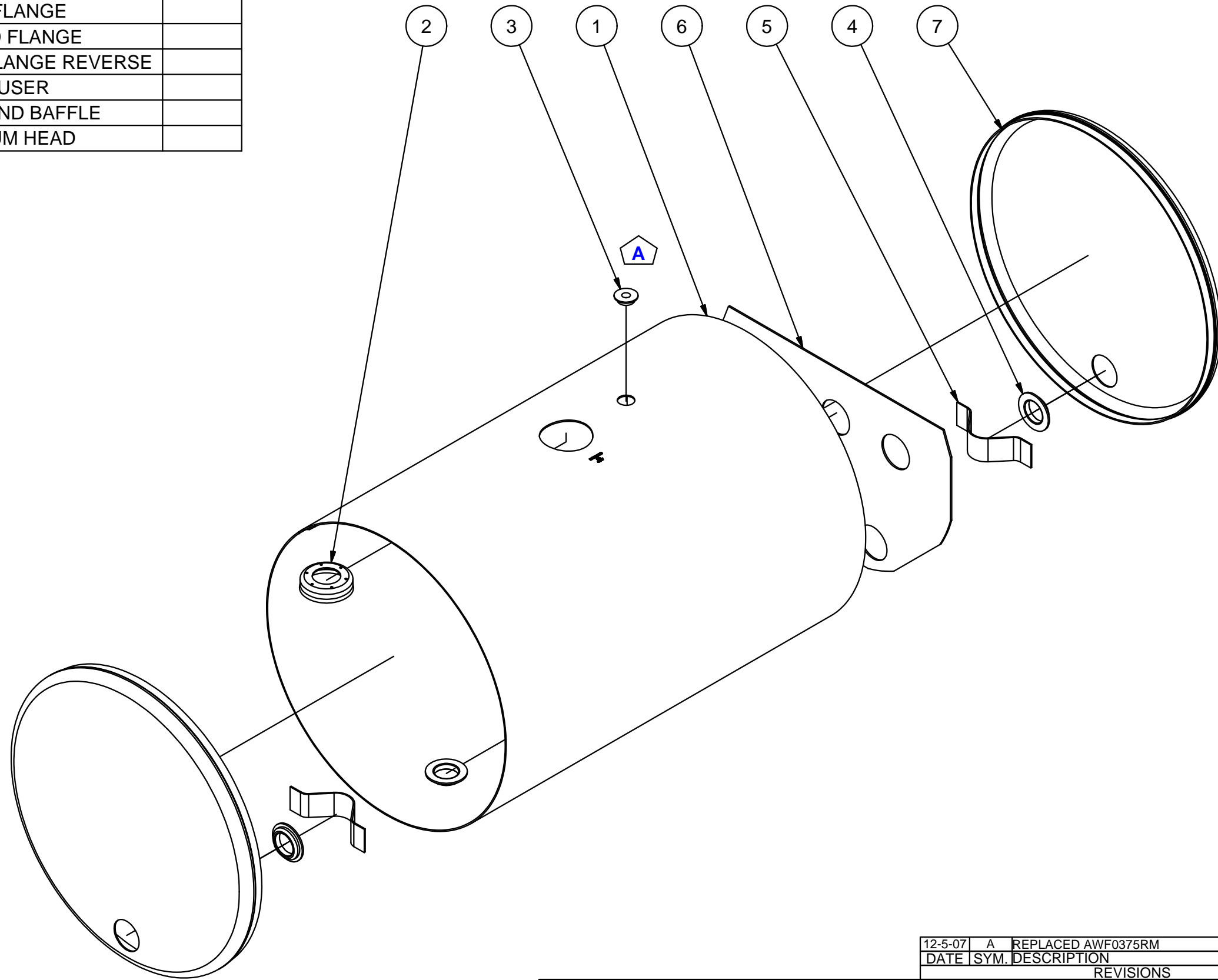
3

2

1

Parts List

ITEM	QTY	PART NUMBER	DESCRIPTION	Fab Qty
1	1	A4575WS	.100 MILL ALUMINUM WRAP SHEET	
2	1	AFA-401	.100 AI FILL ASS'Y WELD FLANGE	
3	1	AWF0375SA	3/8" NPT ALUMINUM WELD FLANGE	
4	3	AWF1500RM	1-1/2" NPT ALUM. WELD FLANGE REVERSE	
5	3	DIFFUSER-AL	.100 MILL ALUMINUM DIFFUSER	
6	1	SA0000BF	.125 MILL ALUMINUM ROUND BAFFLE	
7	2	SA1500RMNS	24 IN X .100 MILL ALUMINUM HEAD	



B

B

A

A

DATE	SYM.	DESCRIPTION	BY
12-5-07	A	REPLACED AWF0375RM	BPK

REVISIONS

<b>AMERICAN MOBILE POWER</b> PH: (800) 634-8265 FAX: (765) 948-3403	DRAWING BY: MRH	DESIGN FOR: A.M.P.	FILE NAME: A4575	
	COMPLETED: 4/7/2003		SHEET: 3 of 5	SHEET SIZE: B

4

3

2

1