

4

3

2

1

Parts List

ITEM	QTY	PART NUMBER	DESCRIPTION
1	1	57XL-40N	40 MICRON FILL W/NYLON STRAINER
2	1	N_A4535	NAM WELDMENT ~24 1/4 lbs

AMP PARTS INCLUDE:

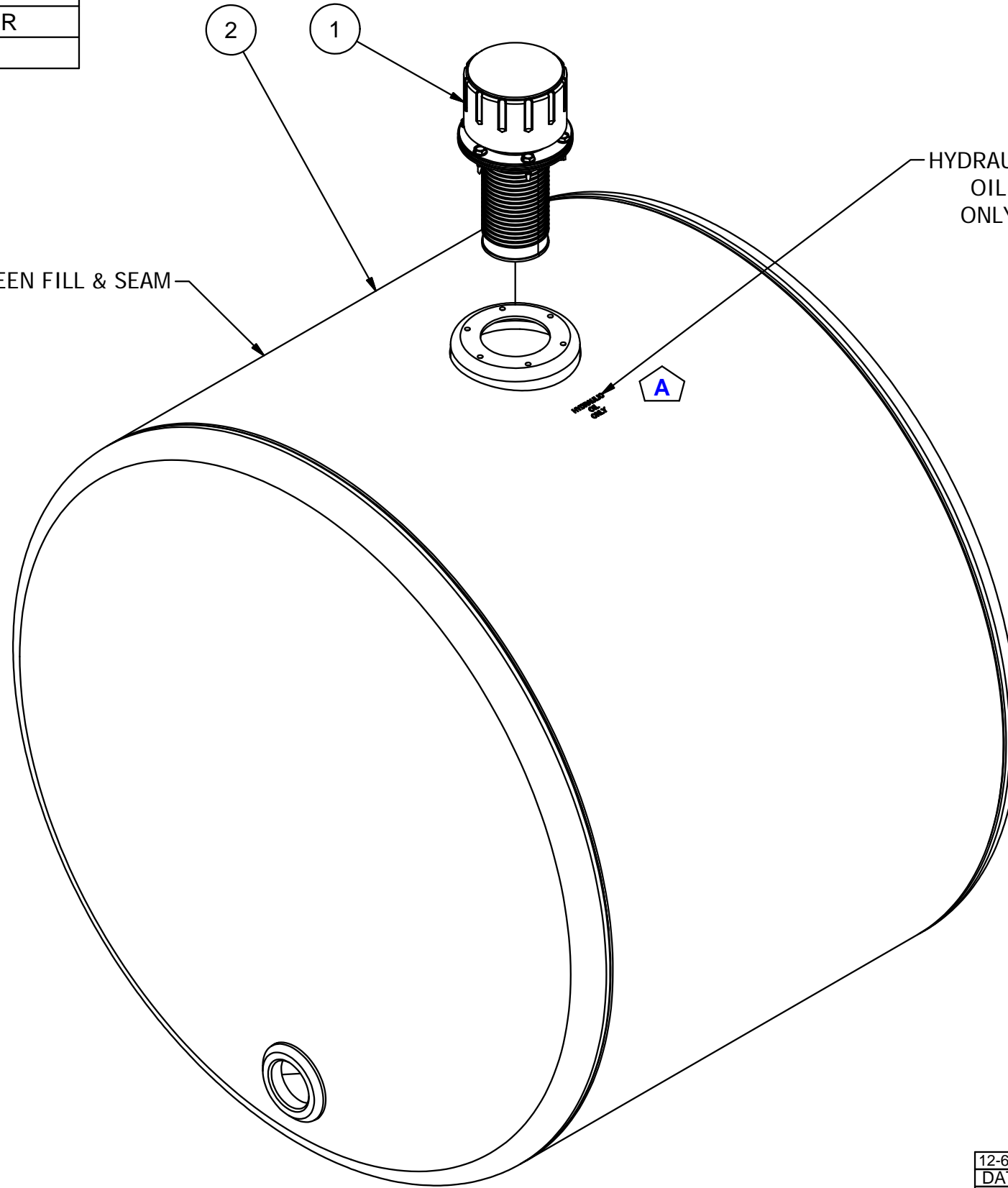
- AMK-624-C MOUNTING KIT (STD) OR -S (UPGRADE)
- 1 1/4" STEEL PORT PLUG

NOTE:

-PLUG ALL PORTS FOR SHIPMENT

S/N BETWEEN FILL & SEAM

HYDRAULIC OIL ONLY



DATE	SYM.	DESCRIPTION	BY
12-6-07	A	ADDED "HYDRAULIC OIL ONLY" STAMP	BPK

REVISIONS

AMERICAN MOBILE POWER PH: (800) 634-8265 FAX: (765) 948-3403	DRAWING BY: BPKNIGHT	DESIGN FOR: A.M.P.	FILE NAME: A4535	
	COMPLETED: 6/14/2006		SHEET: 1 of 5	SHEET SIZE: B

4

3

2

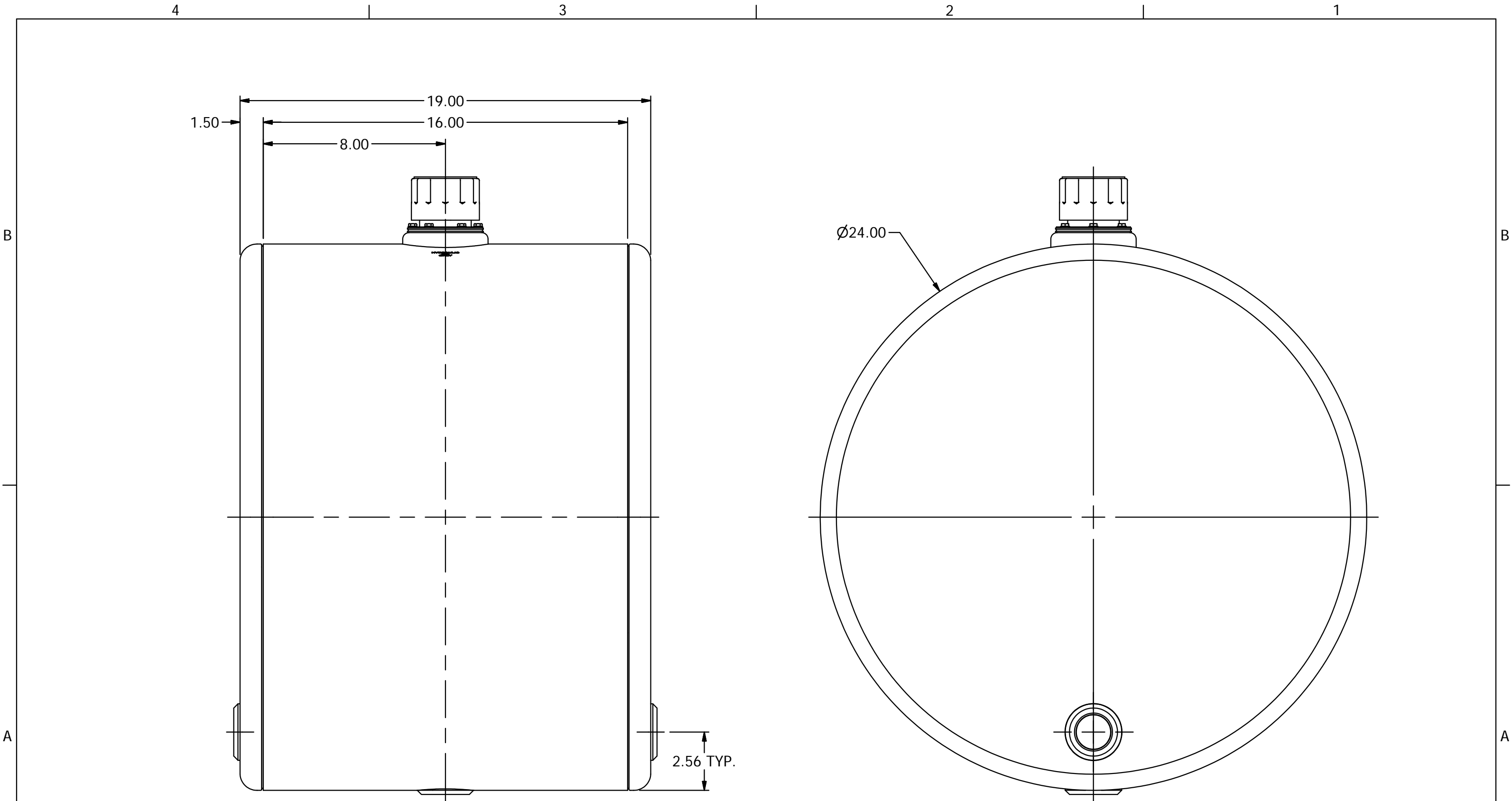
1

B

B

A

A



AMERICAN MOBILE POWER PH: (800) 634-8265 FAX: (765) 948-3403	DRAWING BY: BPKNIGHT	DESIGN FOR: A.M.P.	FILE NAME: A4535	
	COMPLETED: 6/14/2006		SHEET: 2 of 5	SHEET SIZE: B

4

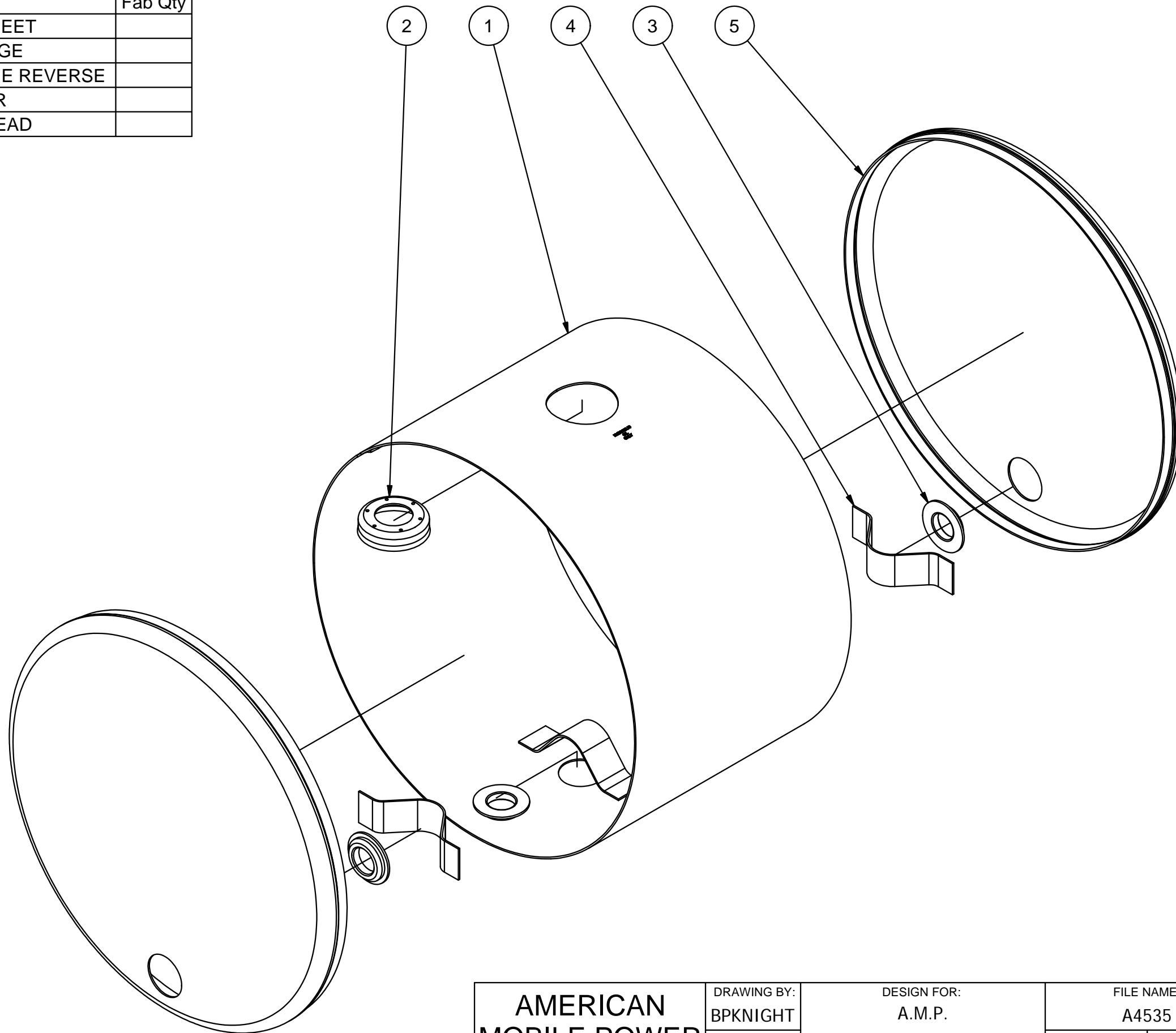
3

2

1

Parts List

ITEM	QTY	PART NUMBER	DESCRIPTION	Fab Qty
1	1	A4535WS	.100 MILL ALUMINUM WRAP SHEET	
2	1	AFA-401	.100 AI FILL ASS'Y WELD FLANGE	
3	3	AWF1250RM	1-1/4" NPT ALUM. WELD FLANGE REVERSE	
4	3	DIFFUSER-AL	.100 MILL ALUMINUM DIFFUSER	
5	2	SA1250RMNS	24 IN X .100 MILL ALUMINUM HEAD	



B

B

A

A

AMERICAN MOBILE POWER PH: (800) 634-8265 FAX: (765) 948-3403	DRAWING BY: BPKNIGHT	DESIGN FOR: A.M.P.	FILE NAME: A4535	
	COMPLETED: 6/14/2006		SHEET: 3 of 5	SHEET SIZE: B

4

3

2

1