

4

3

2

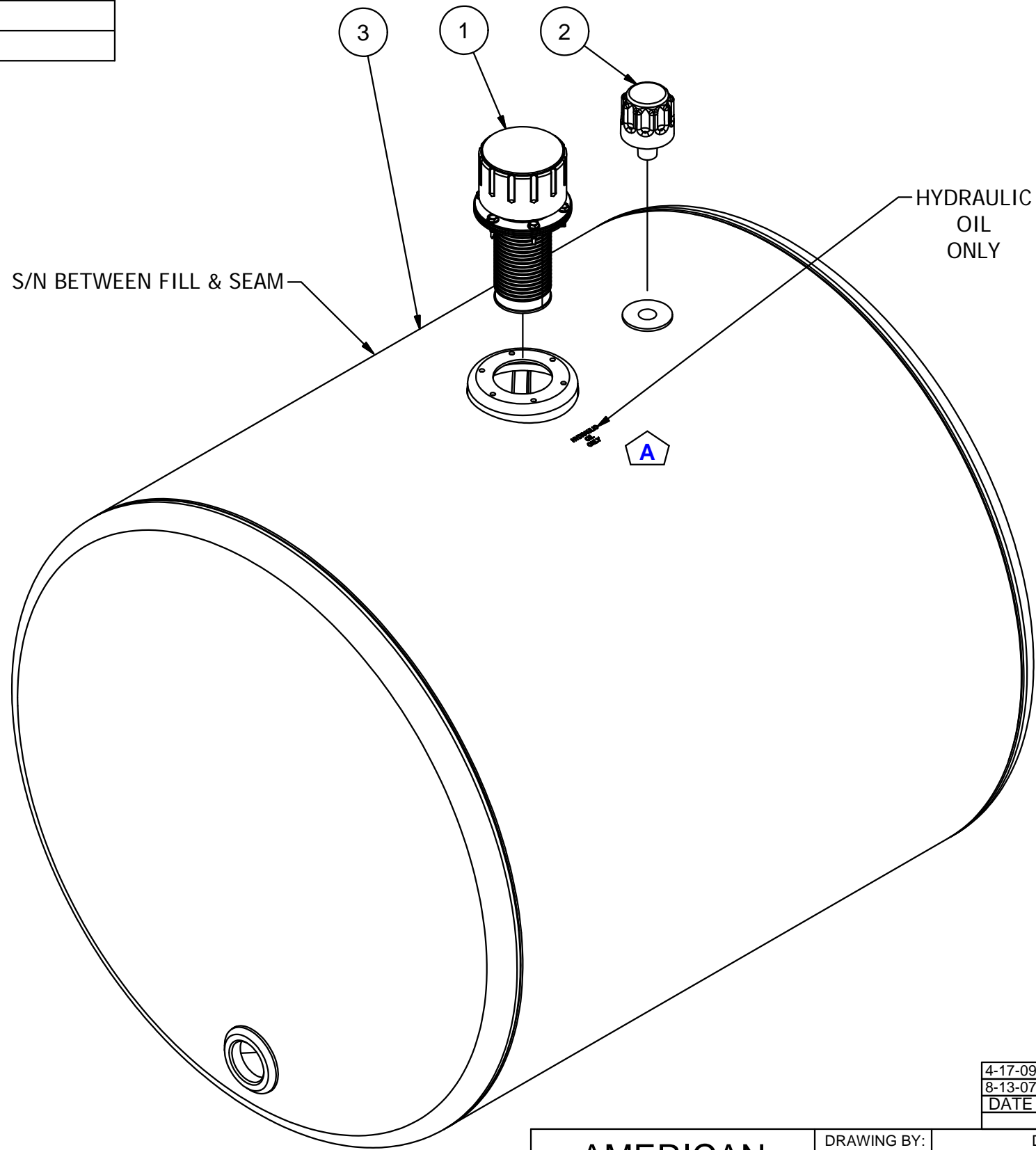
1

Parts List

ITEM	QTY	PART NUMBER	DESCRIPTION
1	1	57XL-40N	40 MICRON FILL W/NYLON STRAINER
2	1	ABA-138	3/8" NPT VENT
3	1	N_A4500	NAM ASSEMBLY 30 1/4 lbs

AMP PARTS INCLUDE:  
 -AMK-624-C MOUNTING KIT (STD) OR -S (UPGRADE)  
 -1 1/4" STEEL PORT PLUG

NOTE:  
 -PLUG ALL PORTS FOR SHIPMENT



DATE	SYM.	DESCRIPTION	BY
4-17-09	B	UPDATED SUCTION/RETURN FLANGES	BPK
8-13-07	A	ADDED "HYDRAULIC OIL ONLY" STAMP	BPK

REVISIONS

<b>AMERICAN MOBILE POWER</b> PH: (800) 634-8265 FAX: (765) 948-3403	DRAWING BY: BPKNIGHT	DESIGN FOR: A.M.P.	FILE NAME: A4500
	COMPLETED: 6/26/2006		SHEET: 1 of 5
			SHEET SIZE: B

4

3

2

1

B

B

A

A

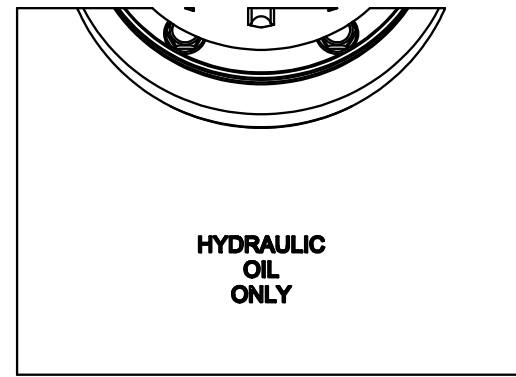
4

3

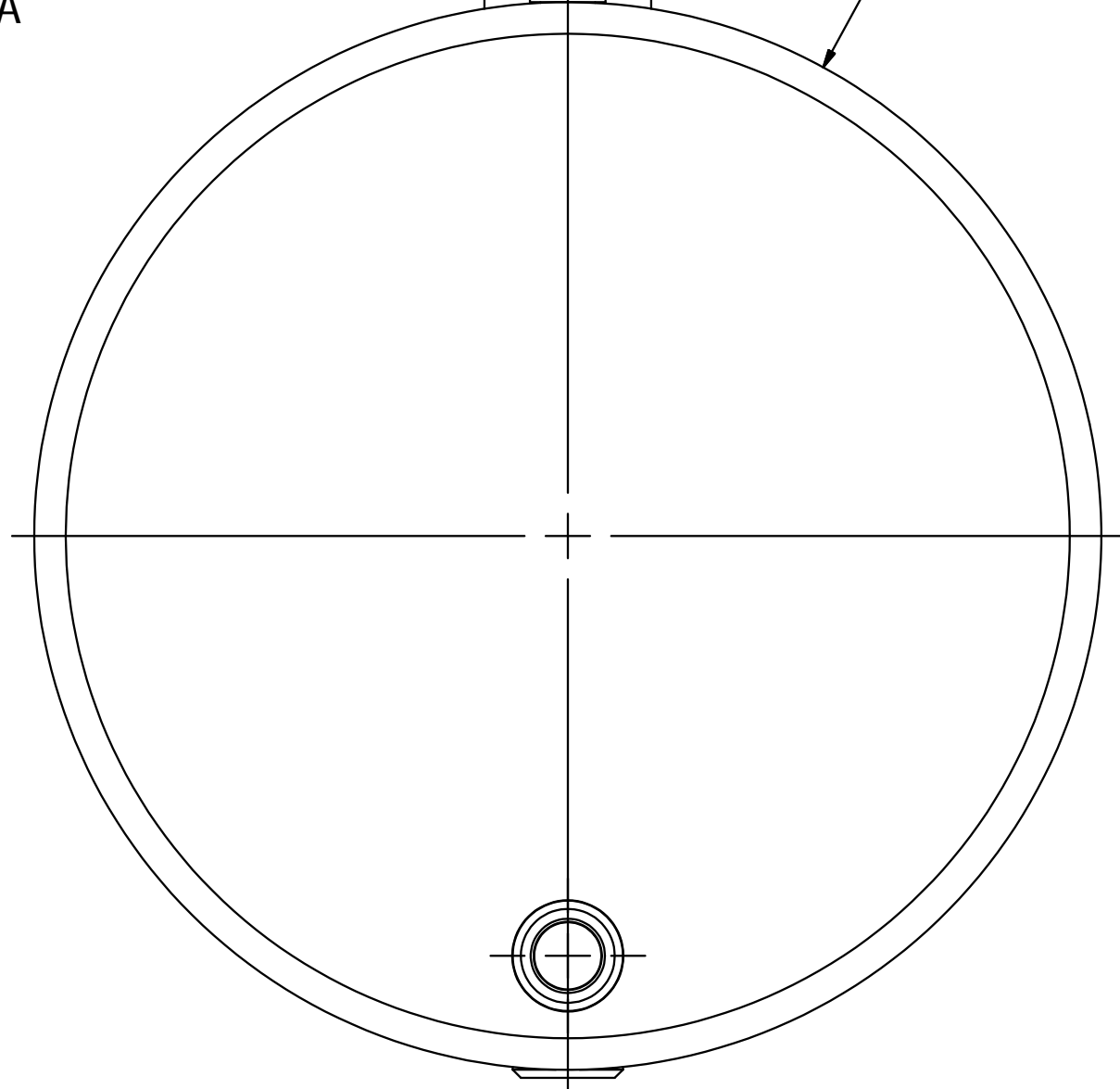
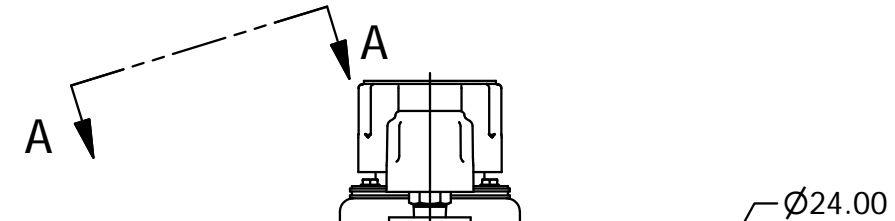
2

1

27.00  
 24.00  
 18.00  
 12.00  
 1.50



SECTION A-A



2.56 TYP.

<b>AMERICAN MOBILE POWER</b> <small>PH: (800) 634-8265 FAX: (765) 948-3403</small>	DRAWING BY: BPKNIGHT	DESIGN FOR: <b>A.M.P.</b>	FILE NAME: A4500	
	COMPLETED: 6/26/2006		SHEET: 2 of 5	SHEET SIZE: B

4

3

2

1

B

B

A

A

4

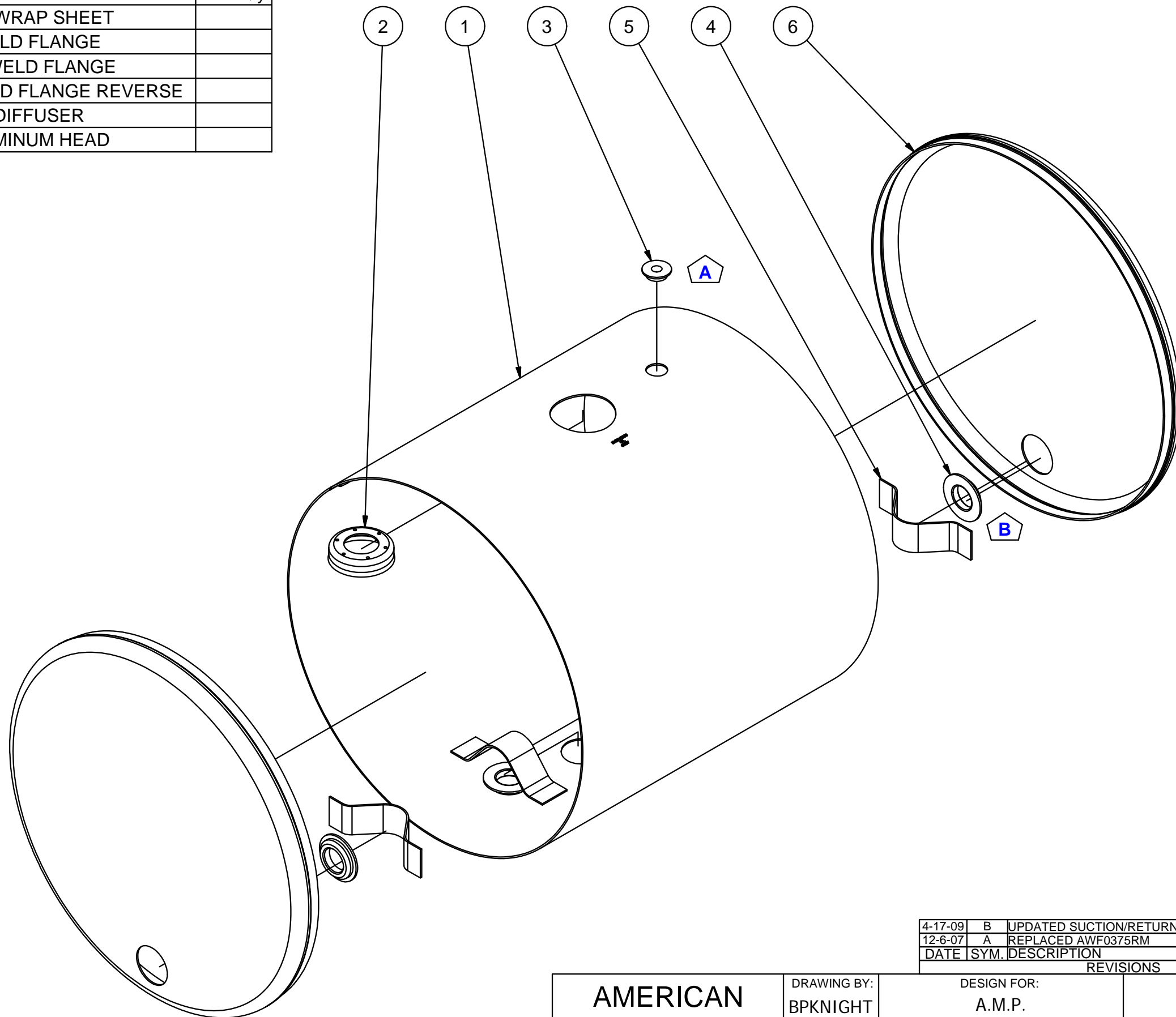
3

2

1

Parts List

ITEM	QTY	PART NUMBER	DESCRIPTION	Fab Qty
1	1	A4500WS	.100 MILL ALUMINUM WRAP SHEET	
2	1	AFA-401	.100 AI FILL ASS'Y WELD FLANGE	
3	1	AWF0375SA	3/8" NPT ALUMINUM WELD FLANGE	
4	3	AWF1250RM	1-1/4" NPT ALUM. WELD FLANGE REVERSE	
5	3	DIFFUSER-AL	.100 MILL ALUMINUM DIFFUSER	
6	2	SA1250RMNS	24 IN X .100 MILL ALUMINUM HEAD	



B

B

A

A

DATE	SYM.	DESCRIPTION	BY
4-17-09	B	UPDATED SUCTION/RETURN FLANGES	BPK
12-6-07	A	REPLACED AWF0375RM	BPK

REVISIONS

<b>AMERICAN MOBILE POWER</b> PH: (800) 634-8265 FAX: (765) 948-3403	DRAWING BY: <b>BPKNIGHT</b>	DESIGN FOR: <b>A.M.P.</b>	FILE NAME: <b>A4500</b>	
	COMPLETED: <b>6/26/2006</b>		SHEET: <b>3 of 5</b>	SHEET SIZE: <b>B</b>

4

3

2

1