

4

3

2

1

Parts List

| ITEM | QTY | PART NUMBER | DESCRIPTION |
|------|-----|-------------|---------------------------------|
| 1 | 1 | N_A3535 | NAM ASSEMBLY 59 1/8 lbs |
| 2 | 1 | 57XL-40N | 40 MICRON FILL W/NYLON STRAINER |

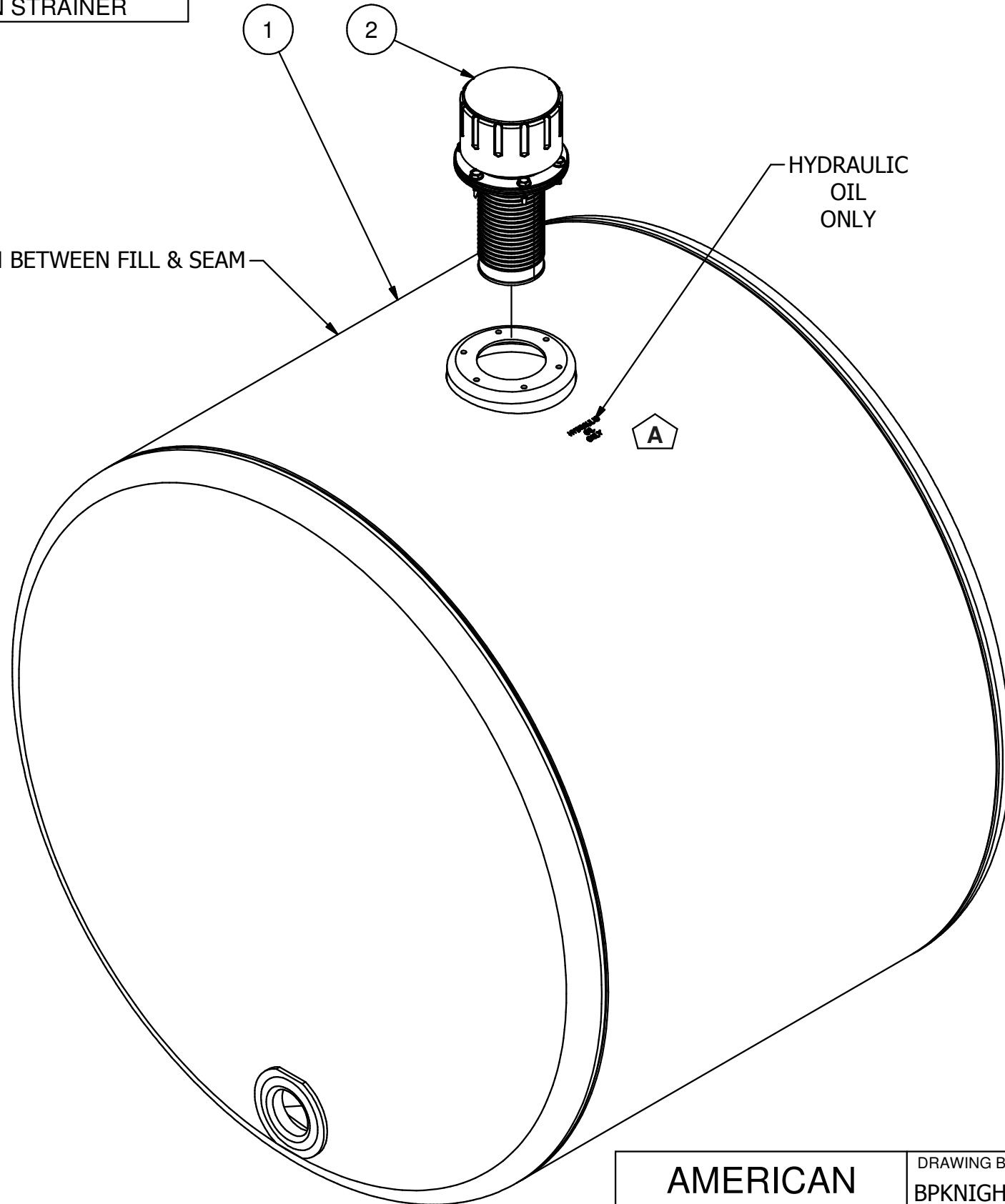
AMP PARTS INCLUDE:

- AMK-624-C MOUNTING KIT (STD) OR -S (UPGRADE)
- 1 1/4" STEEL PORT PLUG

NOTES:

- POWDER COAT BLACK
- APPLY RUST INHIBITOR INSIDE
- PLUG ALL PORTS FOR SHIPMENT

S/N BETWEEN FILL & SEAM



| DATE | SYM. | DESCRIPTION | BY |
|----------|------|----------------------------------|-----|
| 12-12-07 | A | ADDED "HYDRAULIC OIL ONLY" STAMP | BPK |

REVISIONS

| | | | | |
|--|-------------------------|-----------------------|---------------------|------------------|
| AMERICAN MOBILE POWER PH: (800) 634-8265 FAX: (765) 948-3403 | DRAWING BY: BPKNIGHT | DESIGN FOR: A.M.P. | FILE NAME: A3535 | |
| | COMPLETED: 3/24/2005 | | SHEET: 1 of 5 | SHEET SIZE: B |

4

3

2

1

B

B

A

A

4

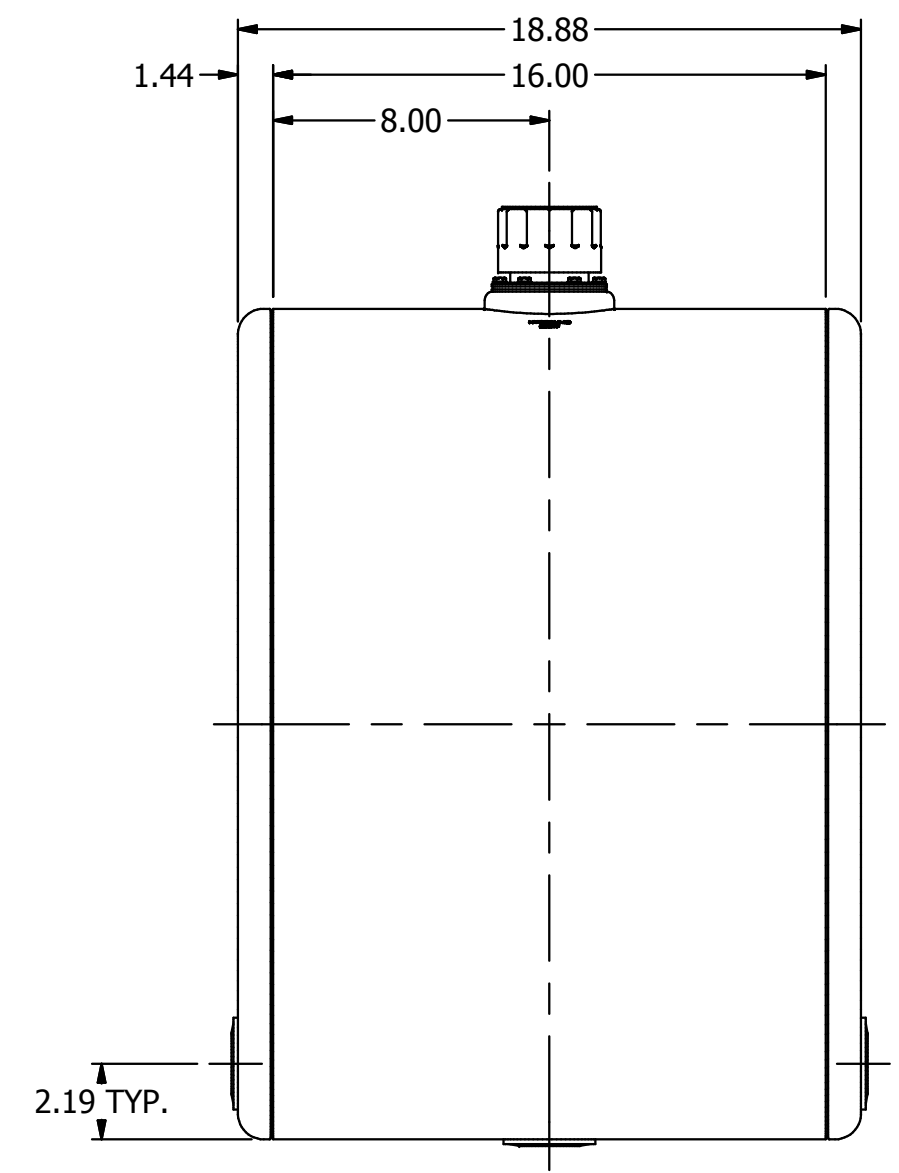
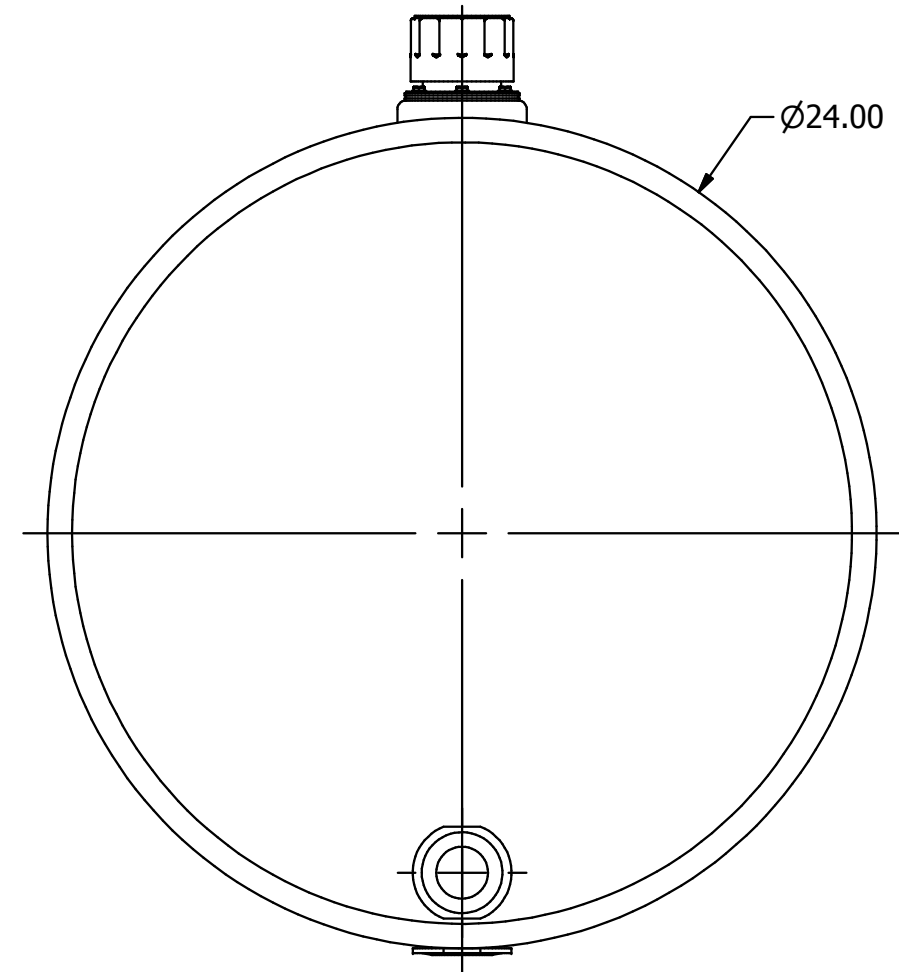
3

2

1

B

B



A

A

4

3

2

1

| | | | | |
|---|--------------------------------|------------------------------|----------------------------|-------------------------|
| AMERICAN MOBILE POWER <small>PH: (800) 634-8265 FAX: (765) 948-3403</small> | DRAWING BY: BPKNIGHT | DESIGN FOR: A.M.P. | FILE NAME: A3535 | |
| | COMPLETED: 3/24/2005 | | SHEET: 2 of 5 | SHEET SIZE: B |

4

3

2

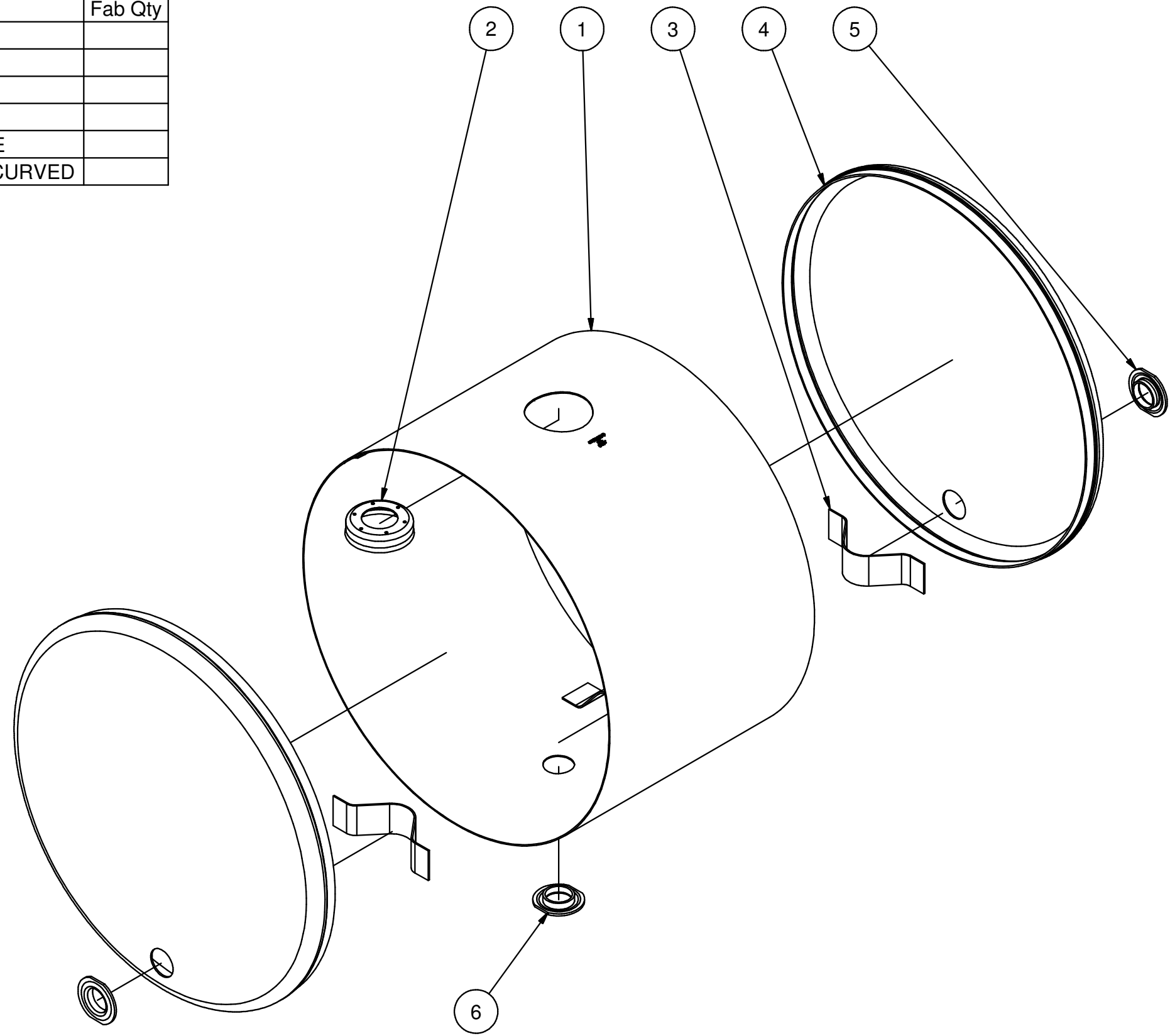
1

Parts List

| ITEM | QTY | PART NUMBER | DESCRIPTION | Fab Qty |
|------|-----|-------------|-------------------------------------|---------|
| 1 | 1 | A3535WS | 14 GA HRPO WRAP SHEET | |
| 2 | 1 | AFS-301 | 13 GA HRPO Fill Ass'y Weld Flange | |
| 3 | 3 | DIFFUSER-ST | 13 GA HRPO DIFFUSER | |
| 4 | 2 | SS1250NS | 24 IN, 13 GA HRPO HEAD | |
| 5 | 2 | SWF1250 | 1 1/4" NPSC STEEL WELD FLANGE | |
| 6 | 1 | SWF1250C | 1 1/4" NPSC STL WELD FLANGE, CURVED | |

NOTES:

- POWDER COAT BLACK
- APPLY RUST INHIBITOR INSIDE
- PLUG ALL PORTS FOR SHIPMENT



B

B

A

A

| | | | | |
|--|--------------------------------|------------------------------|----------------------------|-------------------------|
| AMERICAN MOBILE POWER PH: (800) 634-8265 FAX: (765) 948-3403 | DRAWING BY: BPKNIGHT | DESIGN FOR: A.M.P. | FILE NAME: A3535 | |
| | COMPLETED: 3/24/2005 | | SHEET: 3 of 5 | SHEET SIZE: B |

4

3

2

1