

4

3

2

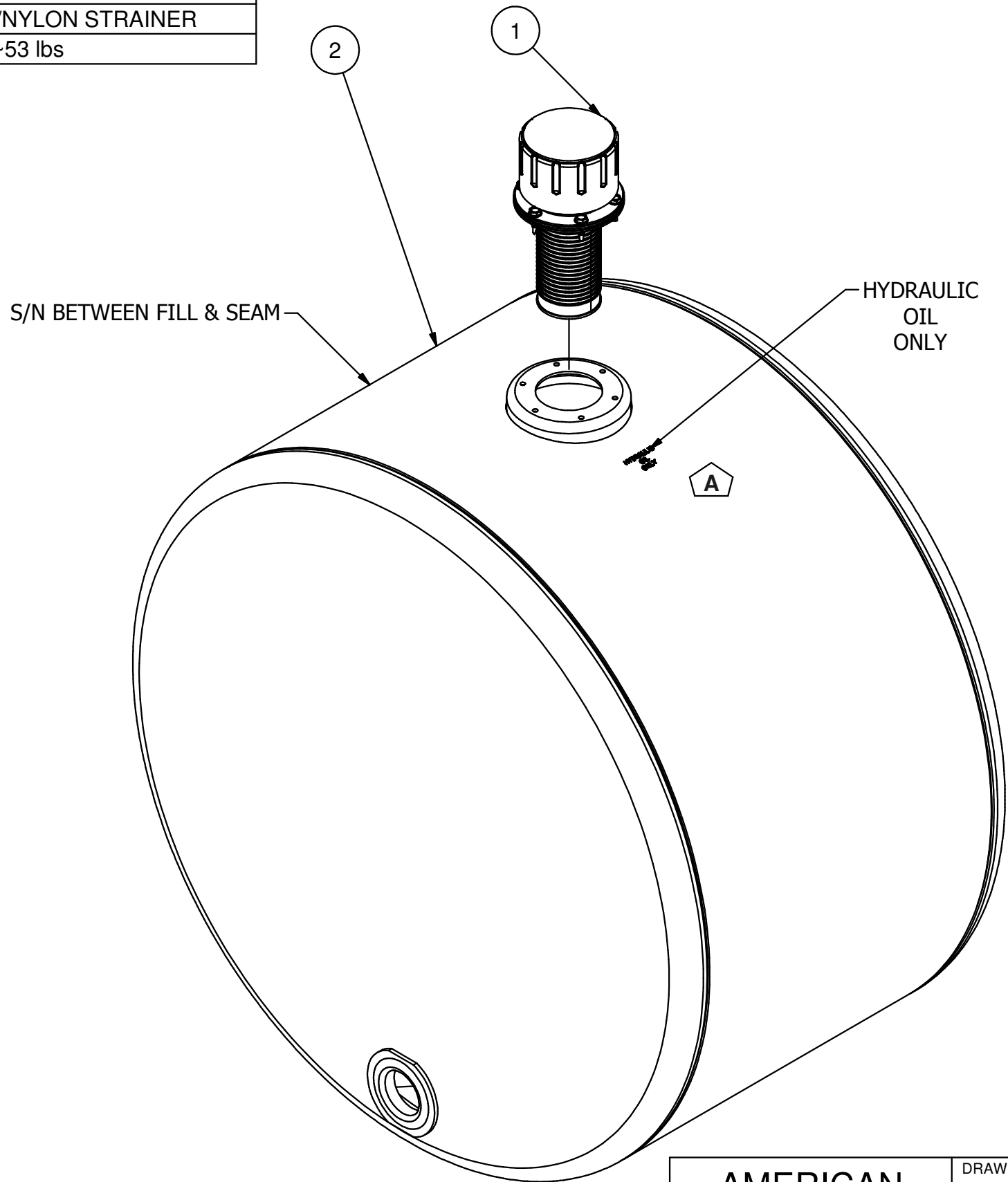
1

Parts List

ITEM	QTY	PART NUMBER	DESCRIPTION
1	1	57XL-40N	40 MICRON FILL W/NYLON STRAINER
2	1	N_A3525	NAM WELDMENT ~53 lbs

AMP PARTS INCLUDE:
 -AMK-624-C MOUNTING KIT (STD) OR -S (UPGRADE)
 -1 1/4" STEEL PORT PLUG

NOTES:
 -POWDER COAT BLACK
 -APPLY RUST INHIBITOR INSIDE
 -PLUG ALL PORTS FOR SHIPMENT



DATE	SYM.	DESCRIPTION	BY
12-12-07	A	ADDED "HYDRAULIC OIL ONLY" STAMP	BPK

REVISIONS

AMERICAN MOBILE POWER PH: (800) 634-8265 FAX: (765) 948-3403	DRAWING BY: BPKNIGHT	DESIGN FOR: A.M.P.	FILE NAME: A3525	
	COMPLETED: 6/8/2007		SHEET: 1 of 5	SHEET SIZE: B

4

3

2

1

B

B

A

A

4

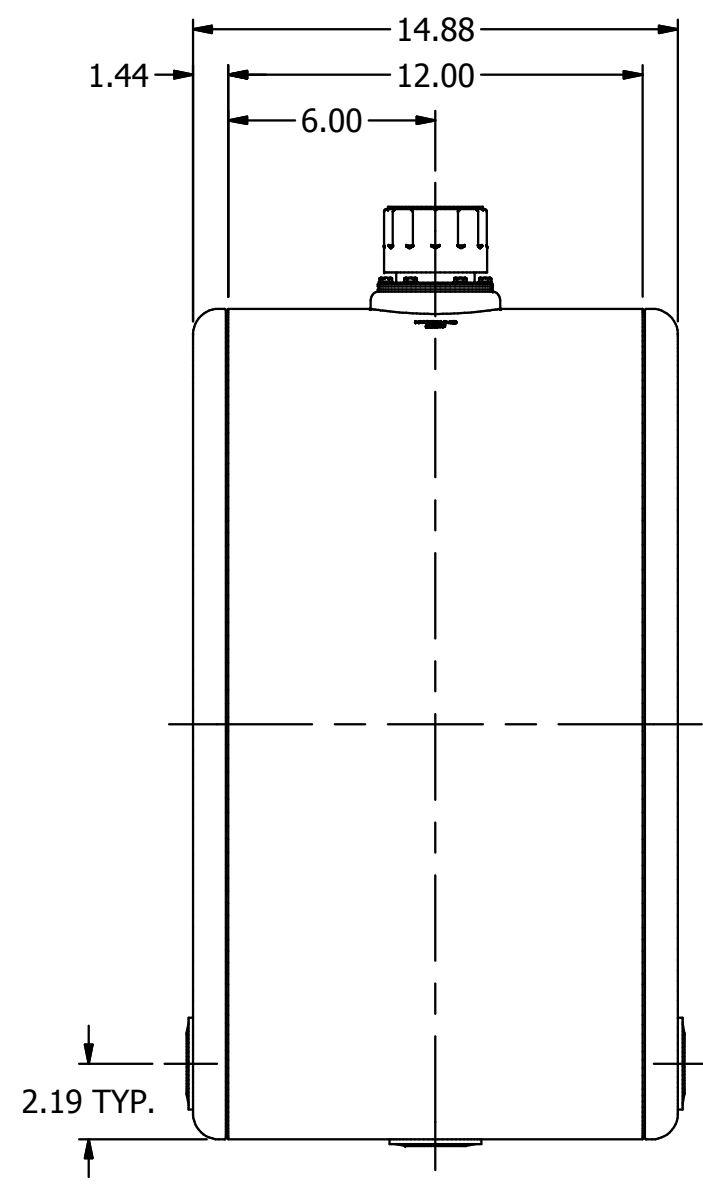
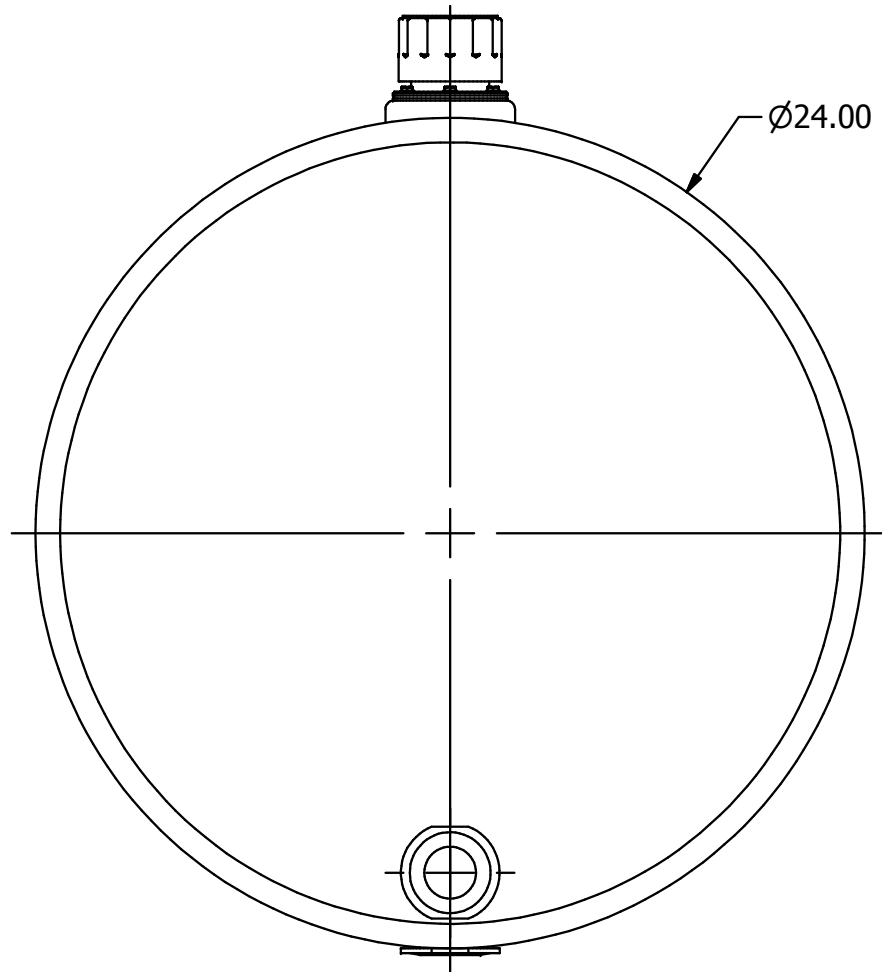
3

2

1

B

B



A

A

4

3

2

1

AMERICAN MOBILE POWER <small>PH: (800) 634-8265 FAX: (765) 948-3403</small>	DRAWING BY: BPKNIGHT	DESIGN FOR: A.M.P.	FILE NAME: A3525	
	COMPLETED: 6/8/2007		SHEET: 2 of 5	SHEET SIZE: B

4

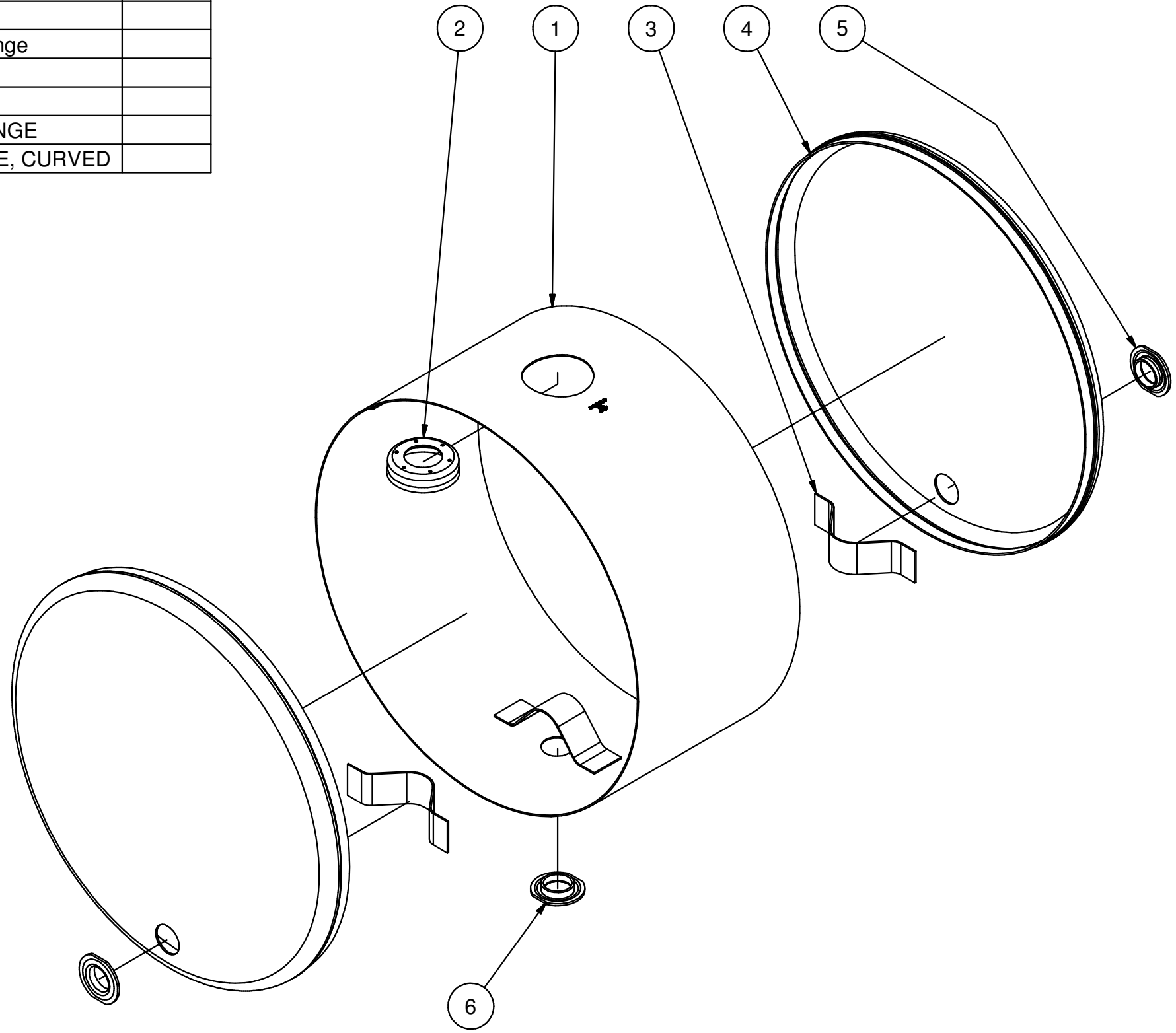
3

2

1

Parts List				
ITEM	QTY	PART NUMBER	DESCRIPTION	Fab Qty
1	1	A3525WS	14 GA HRPO WRAP SHEET	
2	1	AFS-301	13 GA HRPO Fill Ass'y Weld Flange	
3	3	DIFFUSER-ST	13 GA HRPO DIFFUSER	
4	2	SS1250NS	24 IN, 13 GA HRPO HEAD	
5	2	SWF1250	1 1/4" NPSC STEEL WELD FLANGE	
6	1	SWF1250C	1 1/4" NPSC STL WELD FLANGE, CURVED	

NOTES:
 -POWDER COAT BLACK
 -APPLY RUST INHIBITOR INSIDE
 -PLUG ALL PORTS FOR SHIPMENT



A

A

AMERICAN MOBILE POWER PH: (800) 634-8265 FAX: (765) 948-3403	DRAWING BY: BPKNIGHT	DESIGN FOR: A.M.P.	FILE NAME: A3525	
	COMPLETED: 6/8/2007		SHEET: 3 of 5	SHEET SIZE: B

4

3

2

1