

4

3

2

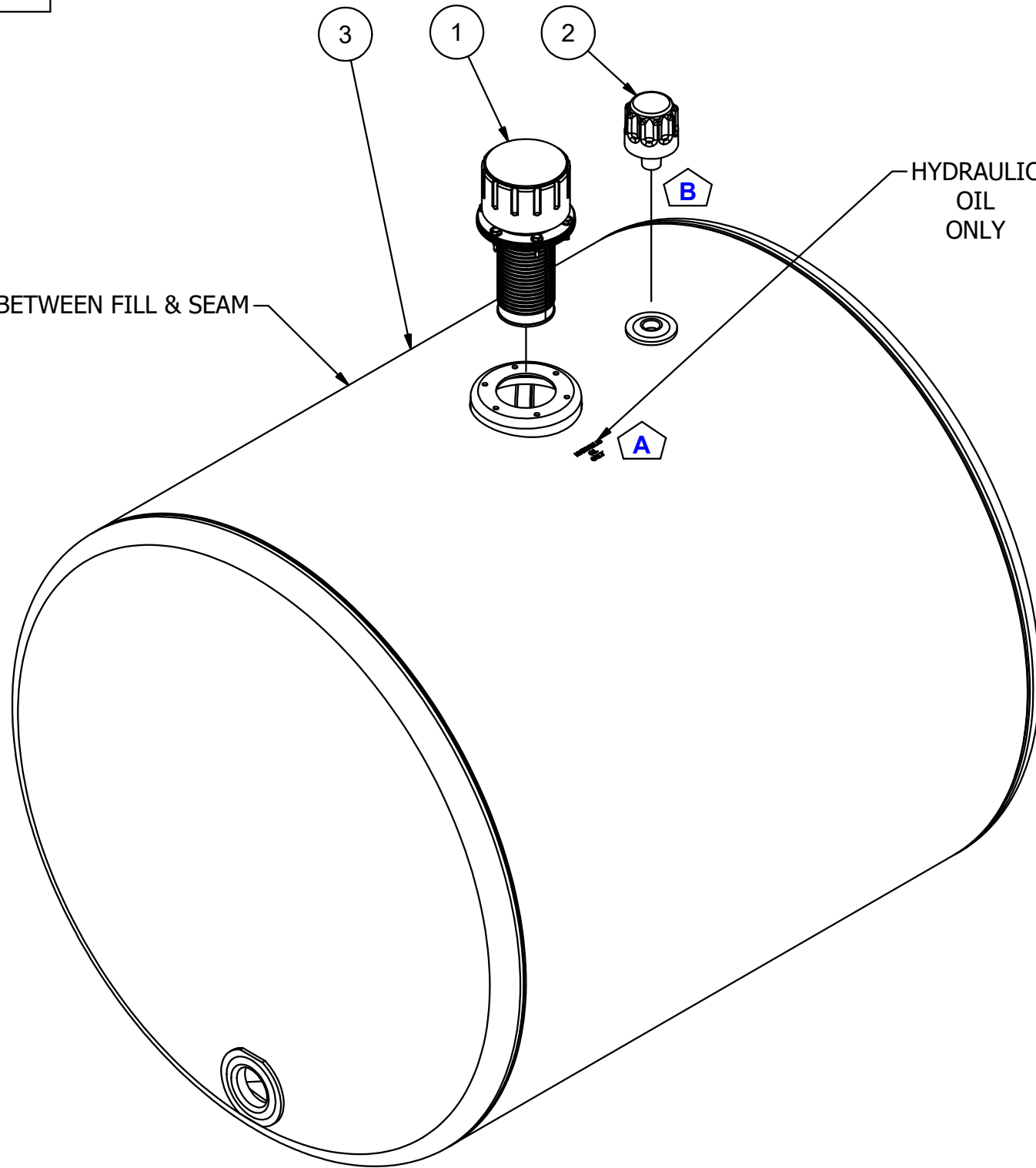
1

Parts List			
ITEM	QTY	PART NUMBER	DESCRIPTION
1	1	57XL-40N	40 MICRON FILL W/NYLON STRAINER
2	1	ABA-138	3/8" NPT VENT
3	1	N_A3500	NAM ASSEMBLY 72 lbs

AMP PARTS INCLUDE:
 -AMK-624-C MOUNTING KIT (STD) OR -S (UPGRADE)
 -1 1/4" STEEL PORT PLUG

NOTES:
 -POWDER COAT BLACK
 -APPLY RUST INHIBITOR INSIDE
 -PLUG ALL PORTS FOR SHIPMENT

S/N BETWEEN FILL & SEAM



DATE	SYM.	DESCRIPTION	BY
1-28-14	B	UPDATE PARTS	BPK
12-7-07	A	ADDED "HYDRAULIC OIL ONLY" STAMP	BPK

REVISIONS

AMERICAN MOBILE POWER PH: (800) 634-8265 FAX: (765) 948-3403	DRAWING BY: BPKNIGHT	DESIGN FOR: A.M.P.	FILE NAME: A3500
	COMPLETED: 3/24/2005	SHEET: 1 of 5	SHEET SIZE: B

4

3

2

1

B

B

A

A

4

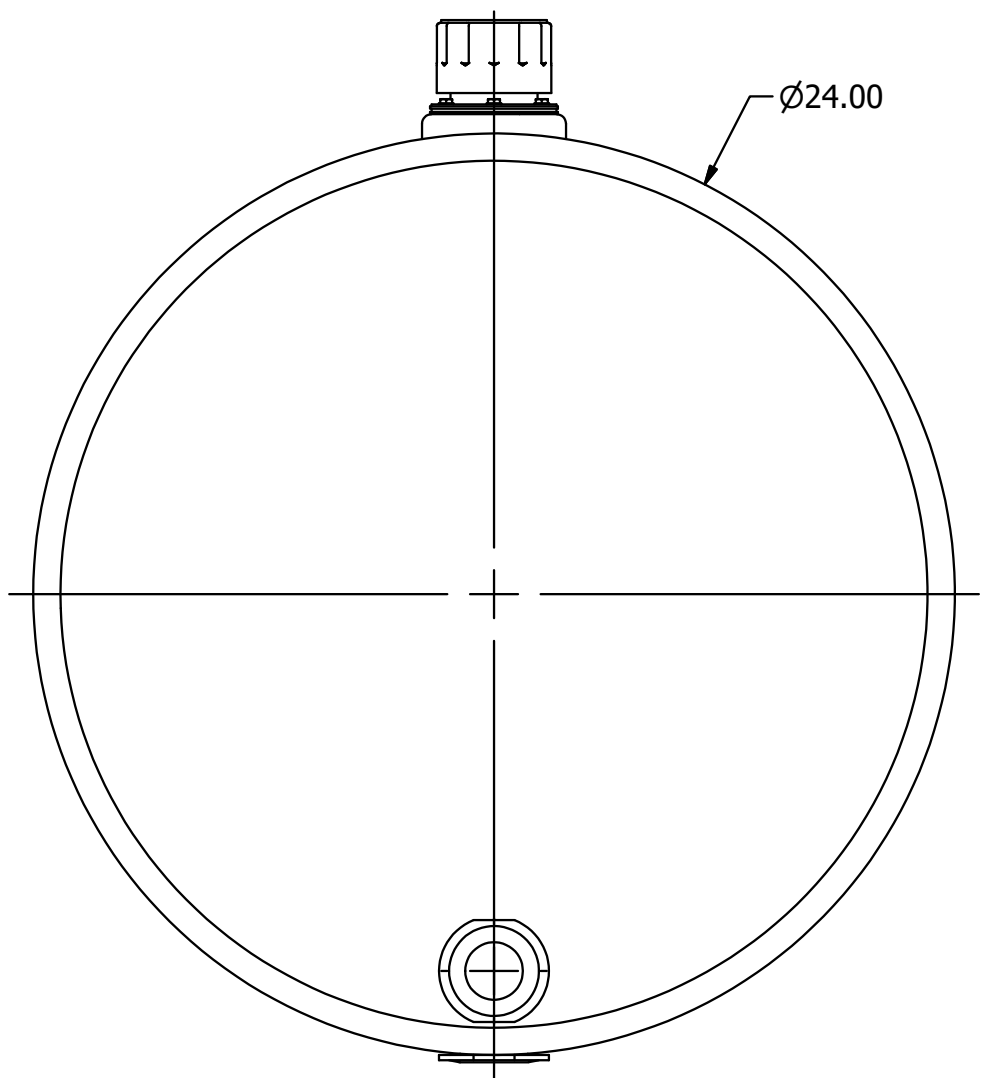
3

2

1

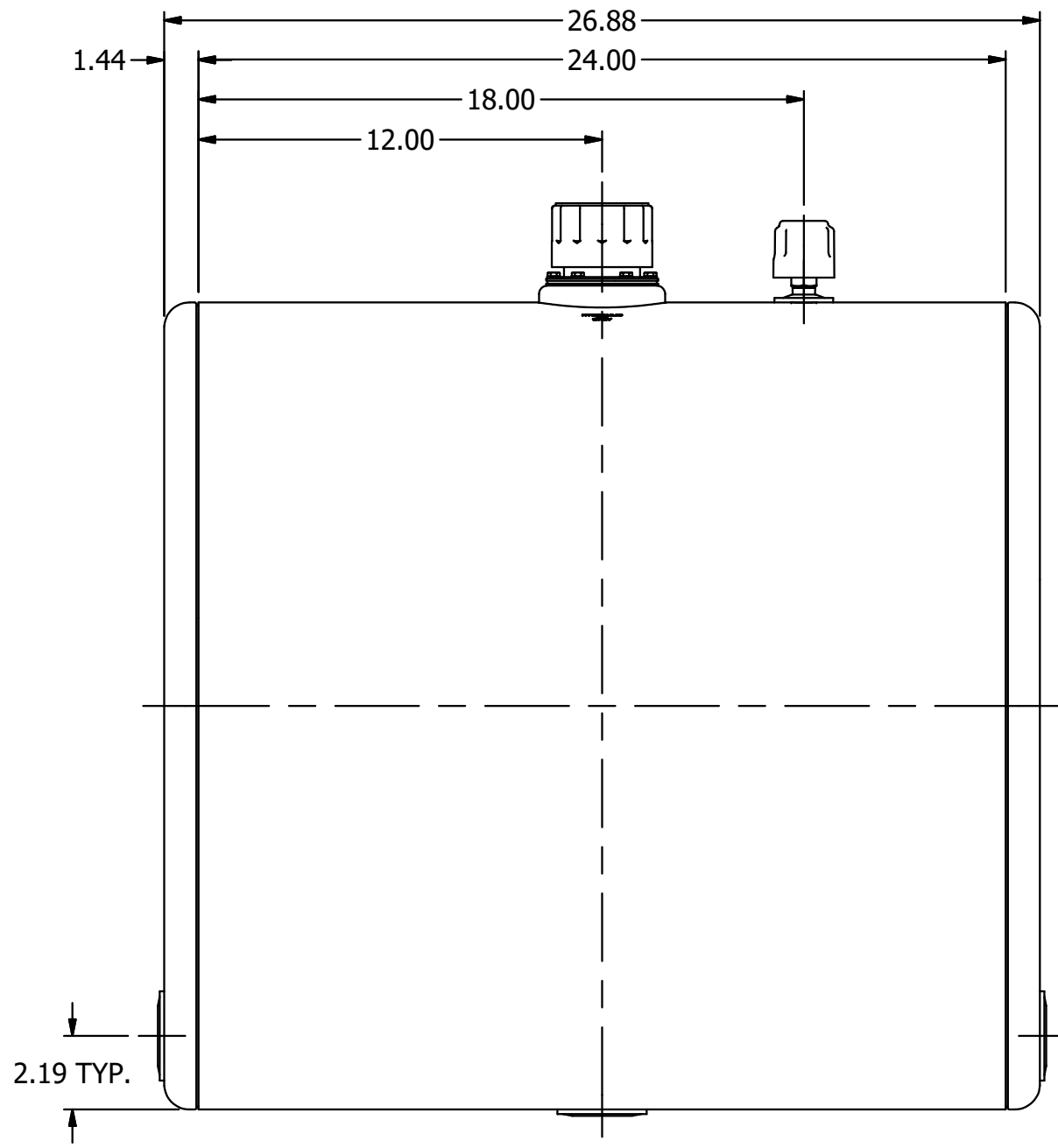
B

B



A

A



AMERICAN MOBILE POWER PH: (800) 634-8265 FAX: (765) 948-3403	DRAWING BY: BPKNIGHT	DESIGN FOR: A.M.P.	FILE NAME: A3500	
	COMPLETED: 3/24/2005		SHEET: 2 of 5	SHEET SIZE: B

4

3

2

1

4

3

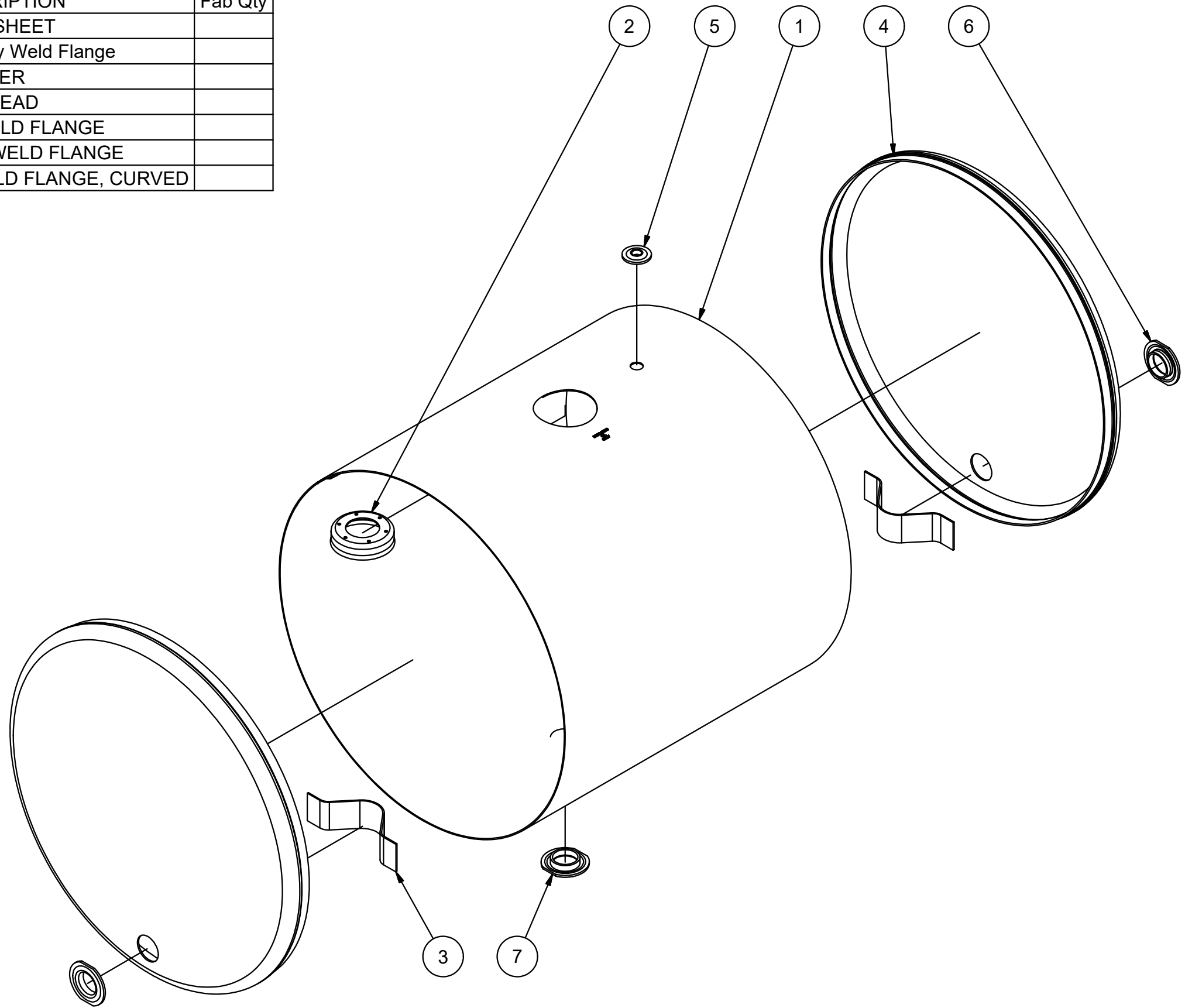
2

1

Parts List

ITEM	QTY	PART NUMBER	DESCRIPTION	Fab Qty
1	1	A3500WS	14 GA HRPO WRAP SHEET	
2	1	AFS-301	13 GA HRPO Fill Ass'y Weld Flange	
3	3	DIFFUSER-ST	13 GA HRPO DIFFUSER	
4	2	SS1250NS	24 IN, 13 GA HRPO HEAD	
5	1	SWF0375	3/8" NPTF STEEL WELD FLANGE	
6	2	SWF1250	1 1/4" NPSC STEEL WELD FLANGE	
7	1	SWF1250C	1 1/4" NPSC STL WELD FLANGE, CURVED	

B
 NOTES:
 -POWDER COAT BLACK
 -APPLY RUST INHIBITOR INSIDE
 -PLUG ALL PORTS FOR SHIPMENT



A

A

AMERICAN MOBILE POWER PH: (800) 634-8265 FAX: (765) 948-3403	DRAWING BY: BPKNIGHT	DESIGN FOR: A.M.P.	FILE NAME: A3500	
	COMPLETED: 3/24/2005		SHEET: 3 of 5	SHEET SIZE: B

4

3

2

1