

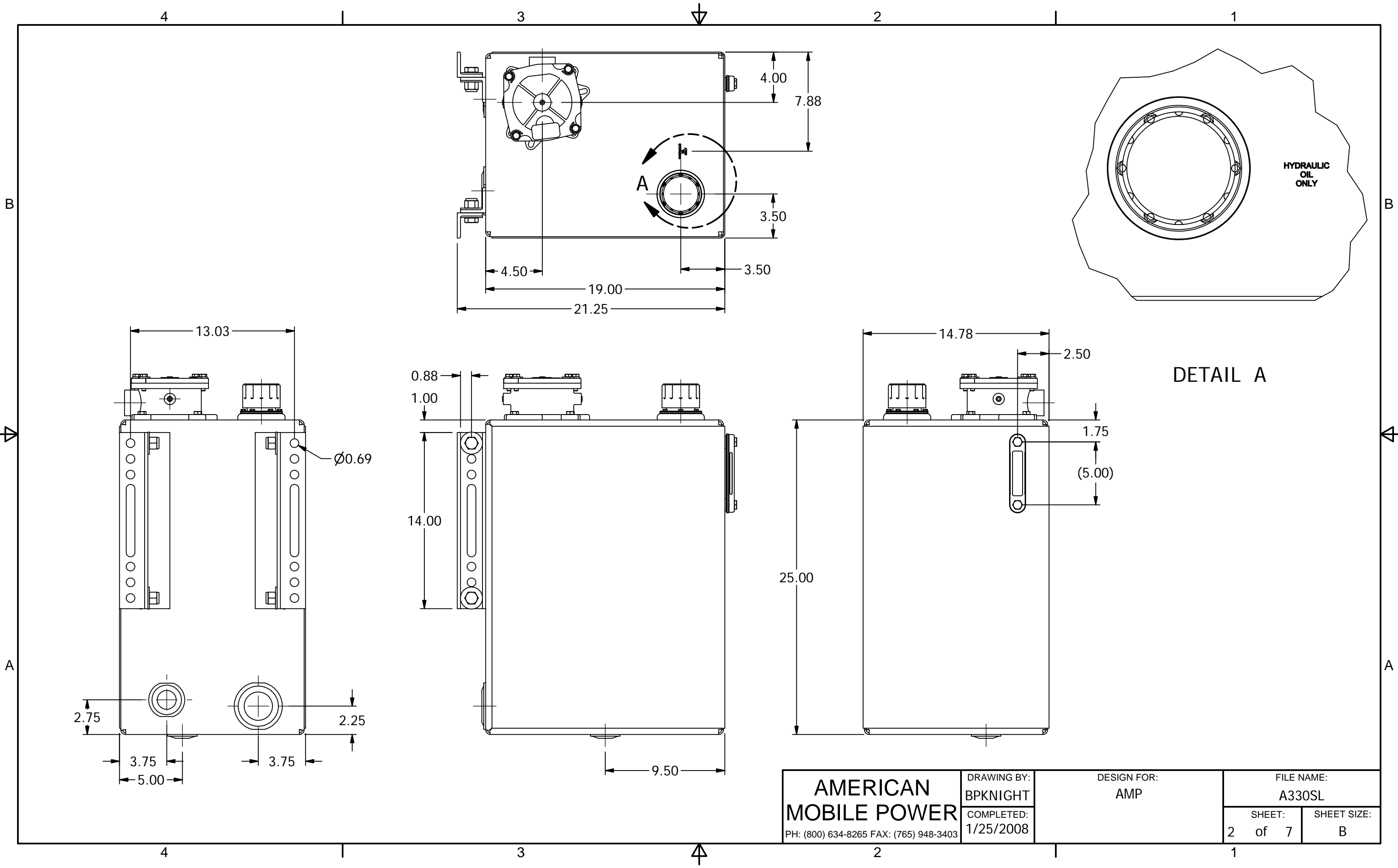
Parts List			
ITEM	QTY	PART NUMBER	DESCRIPTION
1	4	13309	5/8-11 UNC x 1.5 Hex Cap Screw
2	8	33016	1 3/4 x 11/16 x 1/8 Thk Steel Plain Washer
3	4	37036	5/8 Std NC Nylock Nut
4	1	57XL-40N	40 MICRON FILL W/NYLON STRAINER
5	1	AFC-507	FILTER PORT COVER 6.25 DIA. B.C.
6	2	AMA-14MFG-2L	2 x 2 x 1/4" MFG ANGLE, 2 LEGS PUNCHED
7	1	LIT-1250-10P *	Return Filter 1 1/4" NPT 10 Micron/25 psi Bypass
8	1	MAGPLUG0750	3/4" NPT MAG PLUG
9	1	N_A330SL	14.78W25H19D NAM WELDMENT ~95 lbs
10	1	T-LLG-5	SIGHT/TEMP. GAUGE, 5"

* OPTIONAL RETURN FILTER SHOWN FOR REFERENCE
STANDARD TANK SHIPS WITH AFC-507 PORT COVER

NOTES:
 -POWDER COAT BLACK
 -APPLY RUST INHIBITOR INSIDE
 -PLUG ALL PORTS FOR SHIPMENT

ANGLES AND FASTENERS SHIP LOOSE

AMERICAN MOBILE POWER <small>PH: (800) 634-8265 FAX: (765) 948-3403</small>	DRAWING BY: BPKNIGHT	DESIGN FOR: AMP	FILE NAME: A330SL	
	COMPLETED: 1/25/2008		SHEET: 1 of 7	SHEET SIZE: B



AMERICAN MOBILE POWER PH: (800) 634-8265 FAX: (765) 948-3403	DRAWING BY: BPKNIGHT	DESIGN FOR: AMP	FILE NAME: A330SL	
	COMPLETED: 1/25/2008		SHEET: 2 of 7	SHEET SIZE: B

4

3

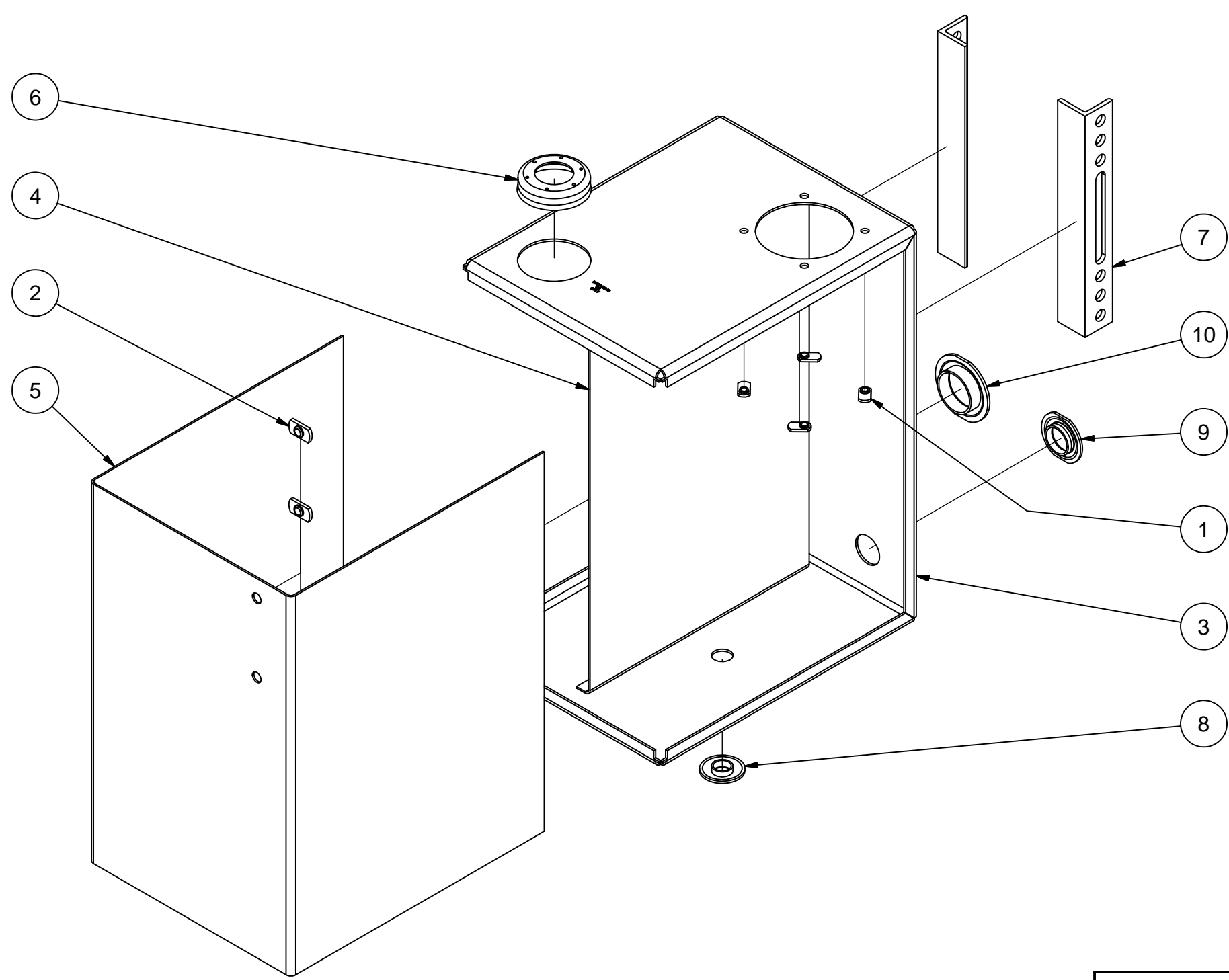
2

1

Parts List

ITEM	QTY	PART NUMBER	DESCRIPTION
1	4	0375-16-HWN	3/8-16 SINGLE TAB WELD NUT
2	2	0500-13-FWN	1/2-13" UNC WELD NUT
3	1	A330SLBB	10 GA HRPO BACK SHEET
4	1	A330SLBF	12 GA HRPO BAFFLE
5	1	A330SLFS	12 GA HRPO SIDE-FRONT-SIDE
6	1	AFA-302	3.75 FILL ASS'Y STEEL WELD FLANGE
7	2	ANGLE14MFG	2 X 2 X 1/4" MFG ANGLE
8	1	SWF0750	3/4" NPT WELD FLANGE
9	1	SWF1250	1 1/4" NPT WELD FLANGE
10	1	SWF2000	2" NPT WELD FLANGE

B



B

A

A

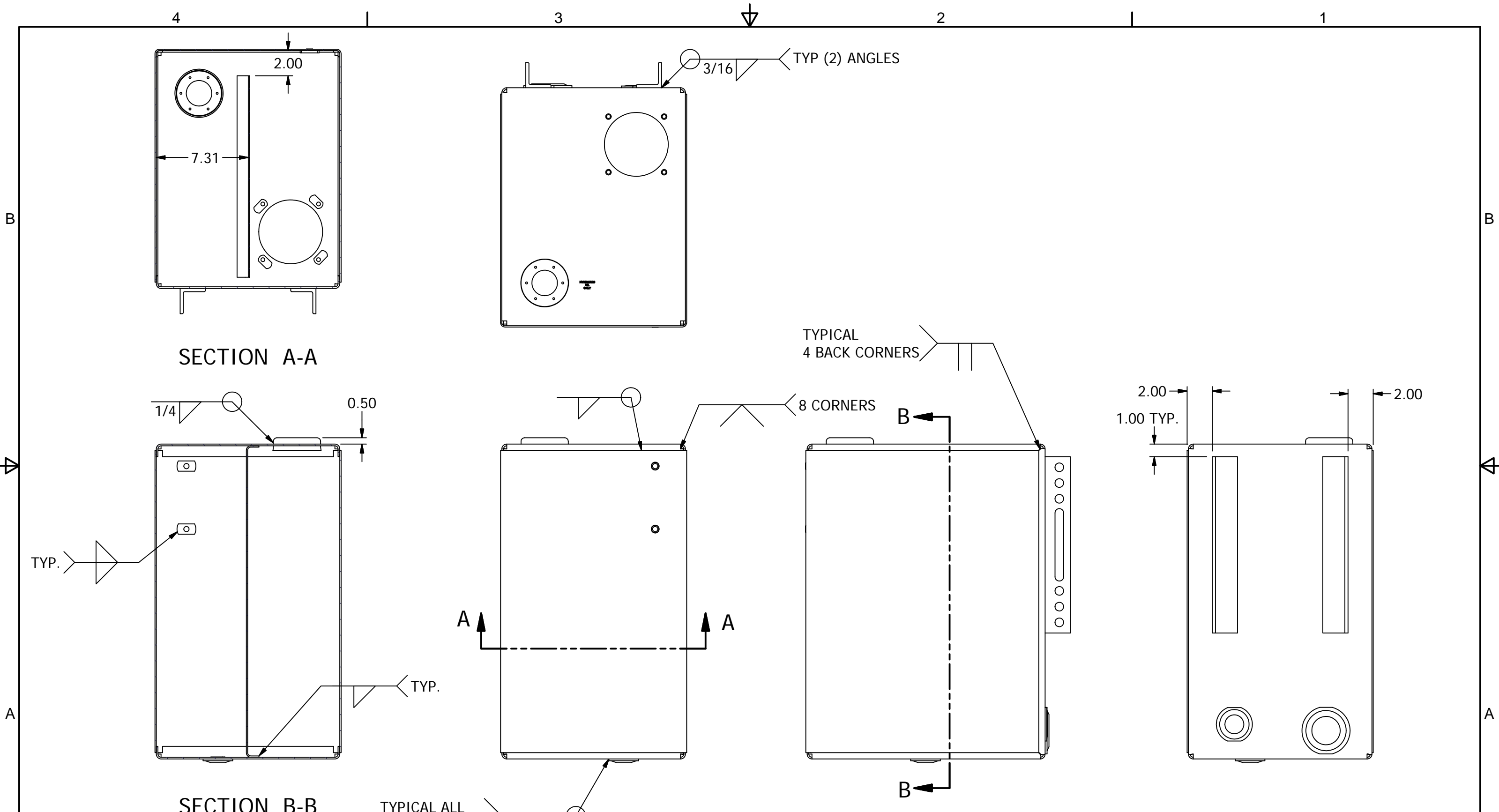
AMERICAN MOBILE POWER <small>PH: (800) 634-8265 FAX: (765) 948-3403</small>	DRAWING BY: BPKNIGHT	DESIGN FOR: AMP	FILE NAME: A330SL	
	COMPLETED: 1/25/2008		SHEET: 3 of 7	SHEET SIZE: B

4

3

2

1



AMERICAN MOBILE POWER <small>PH: (800) 634-8265 FAX: (765) 948-3403</small>	DRAWING BY: BPKNIGHT	DESIGN FOR: AMP	FILE NAME: A330SL	
	COMPLETED: 1/25/2008		SHEET: 4 of 7	SHEET SIZE: B