

| Parts List | | | |
|------------|-----|----------------|--|
| ITEM | QTY | PART NUMBER | DESCRIPTION |
| 1 | 4 | 13309 | 5/8-11 UNC x 1.5 Hex Cap Screw |
| 2 | 8 | 33016 | 1 3/4 x 11/16 x 1/8 Thk Steel Plain Washer |
| 3 | 4 | 37036 | 5/8 Std NC Nylock Nut |
| 4 | 1 | 57XL-40N | 40 MICRON FILL W/NYLON STRAINER |
| 5 | 1 | AFC-507 | FILTER PORT COVER 6.25 DIA. B.C. |
| 6 | 2 | AMA-14MFG-2L | 2 x 2 x 1/4" MFG ANGLE, 2 Legs Punched |
| 7 | 1 | APP0750-M | 3/4" NPT MAG PLUG |
| 8 | 1 | LIT-1250-10P * | Return Filter 1 1/4" NPT 10 Micron/25 psi Bypass |
| 9 | 1 | N_A320SL | 14.78W20.2H17.25D NAM WELDMENT ~90 lbs |
| 10 | 1 | T-LLG-5 | SIGHT/TEMP. GAUGE, 5" |

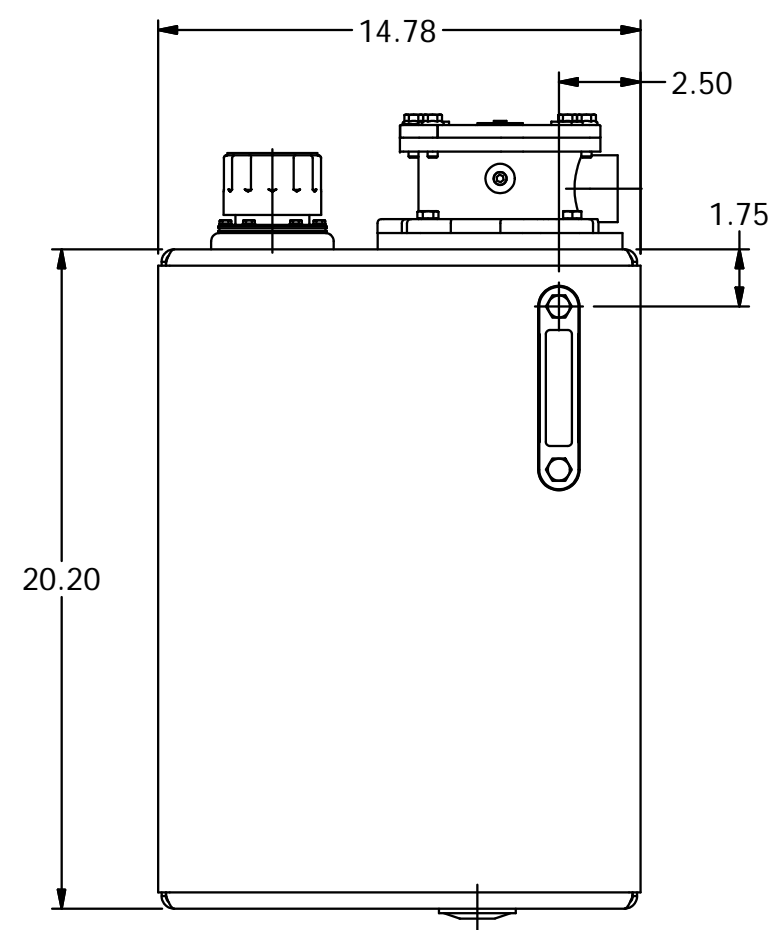
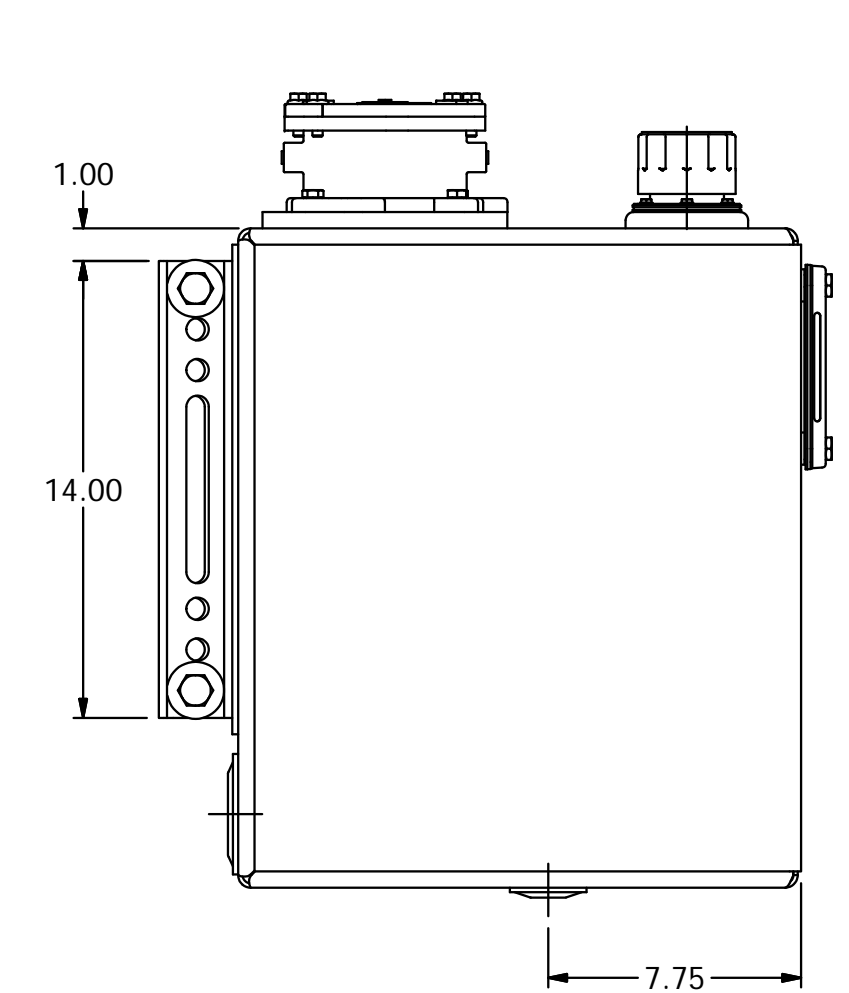
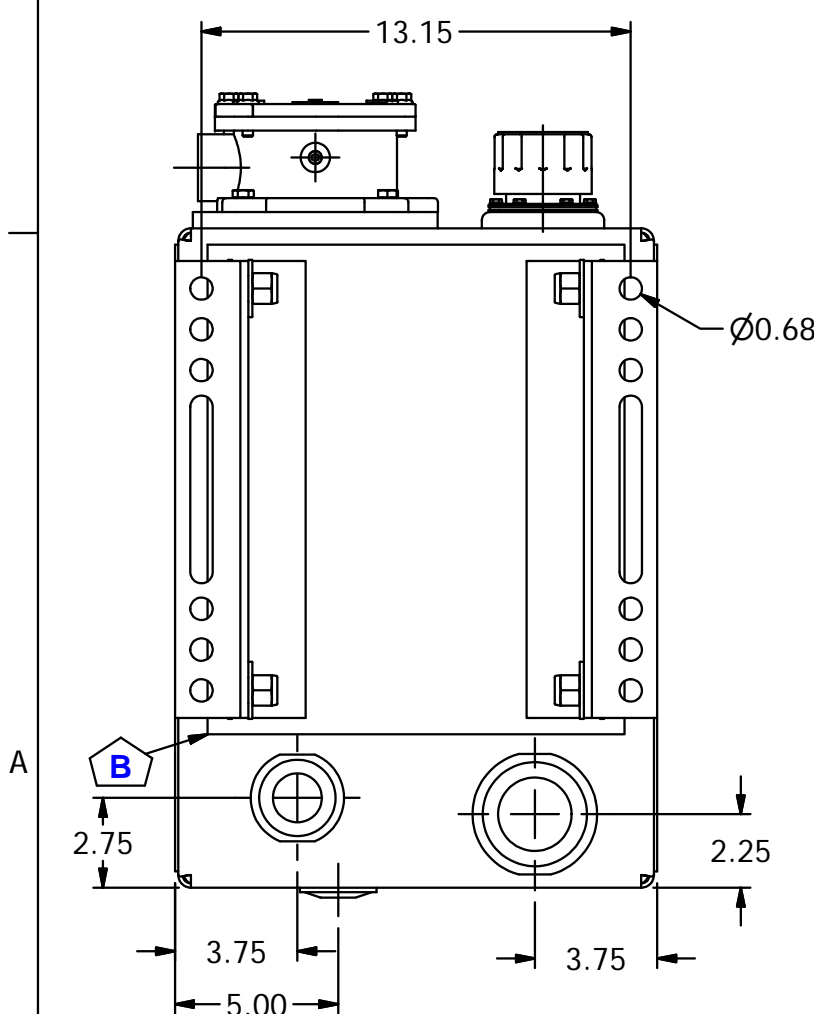
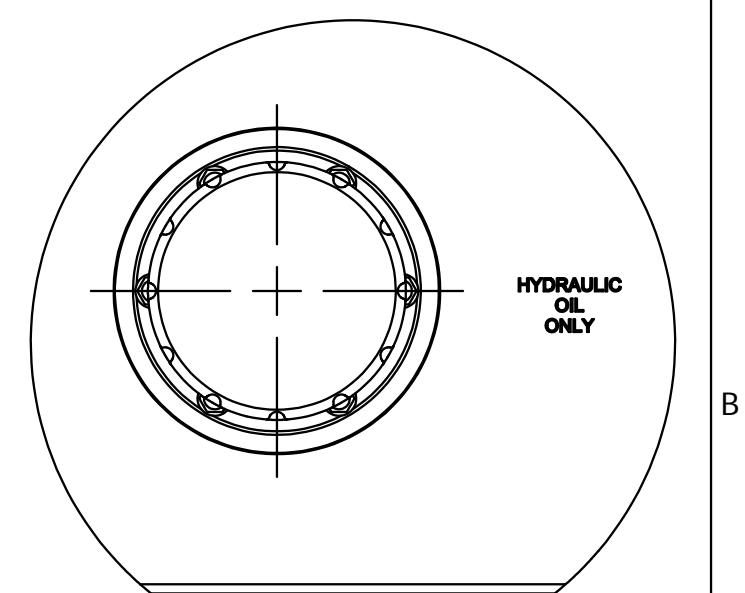
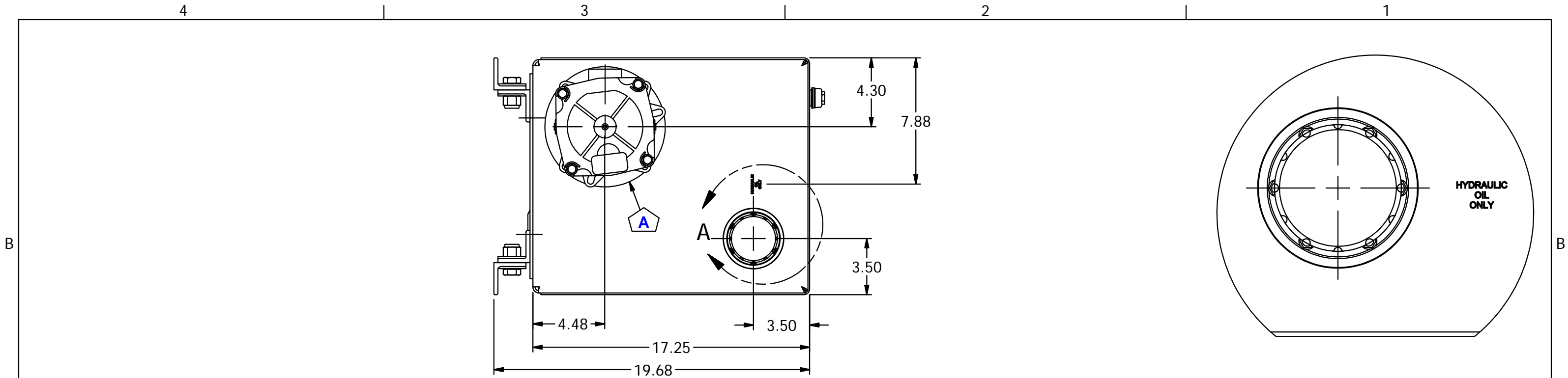
* OPTIONAL RETURN FILTER SHOWN FOR REFERENCE
STANDARD TANK SHIPS WITH AFC-507 PORT COVER

NOTES:
-POWDER COAT BLACK
-APPLY RUST INHIBITOR INSIDE
-PLUG ALL PORTS FOR SHIPMENT

ANGLES AND FASTENERS SHIP LOOSE

| DATE | SYM. | DESCRIPTION | BY |
|---------|------|-----------------------------------|-----|
| 11-4-13 | B | ADD SUPPORT PLATE; REV. BAFFLE | BPK |
| 4-19-12 | A | AFF-3-1250 REPLACES 0375-16-FWN's | BPK |

| | | | | |
|--|-------------------------|--------------------|----------------------|------------------|
| AMERICAN MOBILE POWER PH: (800) 634-8265 FAX: (765) 948-3403 | DRAWING BY: BPKNIGHT | DESIGN FOR: AMP | FILE NAME: A320SL | |
| | COMPLETED: 1/28/2008 | | SHEET: 1 of 8 | SHEET SIZE: B |



DETAIL A

| DATE | SYM. | DESCRIPTION | BY |
|---------|------|-----------------------------------|-----|
| 11-4-13 | B | ADD SUPPORT PLATE; REV. BAFFLE | BPK |
| 4-19-12 | A | AFF-3-1250 REPLACES 0375-16-FWN's | BPK |

| | | | | |
|--|-------------------------|--------------------|----------------------|------------------|
| AMERICAN MOBILE POWER PH: (800) 634-8265 FAX: (765) 948-3403 | DRAWING BY: BPKNIGHT | DESIGN FOR: AMP | FILE NAME: A320SL | |
| | COMPLETED: 1/28/2008 | | SHEET: 2 of 8 | SHEET SIZE: B |

4

3

2

1

Parts List

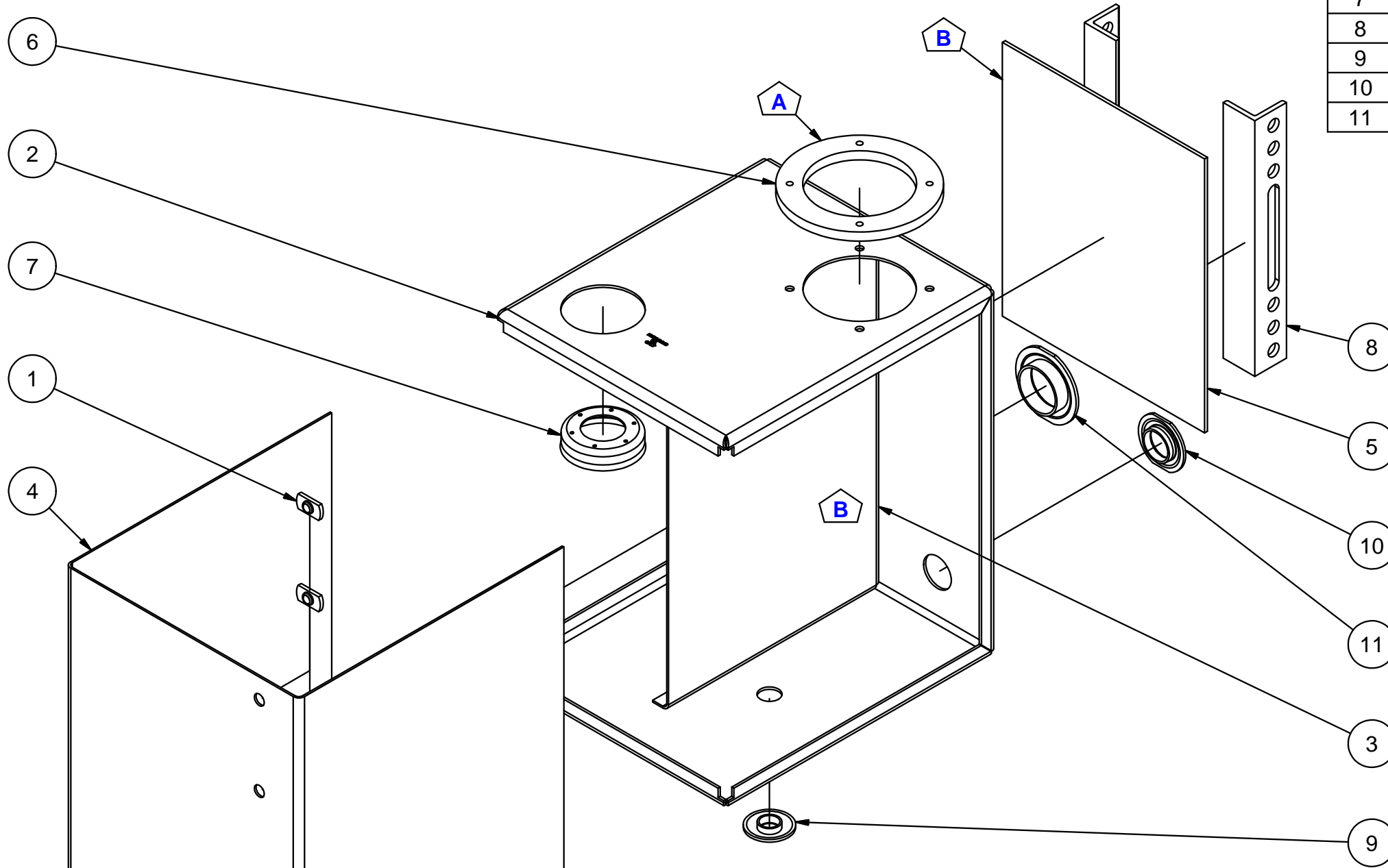
| ITEM | QTY | PART NUMBER | DESCRIPTION | Fab Qty |
|------|-----|-------------|-----------------------------------|---------|
| 1 | 2 | 0500-13-FWN | 1/2"-13 UNC WELD NUT | |
| 2 | 1 | A320SLBB | 10 GA HRPO BACK SHEET | |
| 3 | 1 | A320SLBF | 12 GA HRPO BAFFLE | |
| 4 | 1 | A320SLFS | 12 GA HRPO SIDE-FRONT-SIDE | |
| 5 | 1 | A320SLPB | 7 GA HRPO SUPPORT PLATE | |
| 6 | 1 | AFF-3-1250 | .50 x 7.5 O.D. HRPO Filter Flange | |
| 7 | 1 | AFS-301 | 13 GA HRPO Fill Ass'y Weld Flange | |
| 8 | 2 | ANGLE14MFG | 2 X 2 X 1/4" MFG ANGLE | |
| 9 | 1 | SWF0750 | 3/4" NPTF STEEL WELD FLANGE | |
| 10 | 1 | SWF1250 | 1 1/4" NPSC STEEL WELD FLANGE | |
| 11 | 1 | SWF2000 | 2" NPSC STEEL WELD FLANGE | |

B

B

A

A



| DATE | SYM. | DESCRIPTION | BY |
|---------|------|-----------------------------------|-----|
| 11-4-13 | B | ADD SUPPORT PLATE; REV. BAFFLE | BPK |
| 4-19-12 | A | AFF-3-1250 REPLACES 0375-16-FWN's | BPK |

REVISIONS

| | | | | |
|--|-------------------------|--------------------|----------------------|------------------|
| AMERICAN MOBILE POWER PH: (800) 634-8265 FAX: (765) 948-3403 | DRAWING BY: BPKNIGHT | DESIGN FOR: AMP | FILE NAME: A320SL | |
| | COMPLETED: 1/28/2008 | | SHEET: 3 of 8 | SHEET SIZE: B |

4

3

2

1