



## In-Tank Filters Disposable Filter Cartridge Type

### Return Line Application

Model "LIT" Series LIT-1250, 1500, 2000,

#### Specifications

- Working pressure 100 P.S.I. (7 Bar)
- Operating Temperatures -22° F to +212° F (-32° C to +100° C)
- Flows to 100 GPM (378 LPM) Return
- 1 1/4", 1 1/4", 2" Ports Aluminum casting
- Buna Seals
- Compatible with mineral oils HH, HL, HM, HR, HV, HG, according to ISO 6743/4
- Nylon bowl
- ??? (lbs), ??? (kgs) shipping weight
- 25 P.S.I.D. bypass option for return

#### Options

- NPT or SAE Ports
- 10, 25 micron cellulose, synthetic elements
- Water absorbing elements (Series 1250 only)
- Visual or electric indicators
- 140 Micron Wire Mesh elements
- Dual ports available on 1250 Series
- Weld Riser Available for LIT-1250 Series  
(see Tech Bulletin: TB.FIL.06.708)

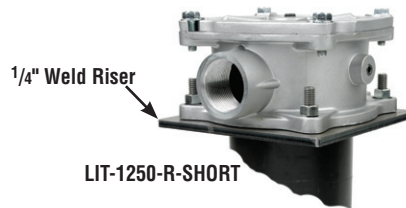


LIT-1250

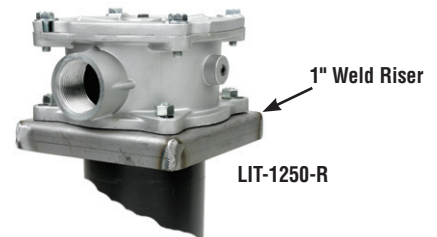
LIT-1252-Bypass



LIT-1252-10P



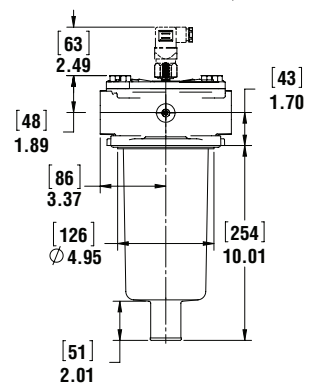
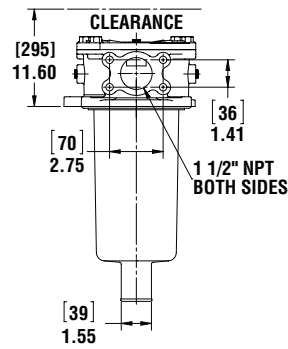
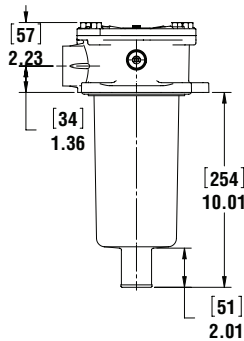
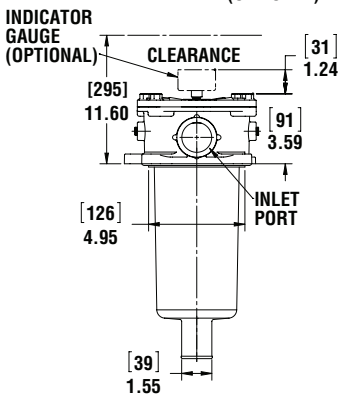
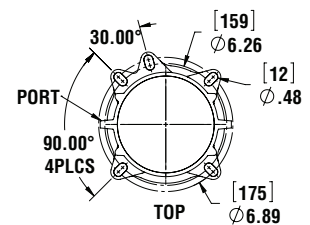
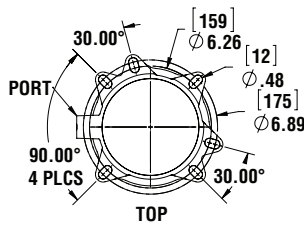
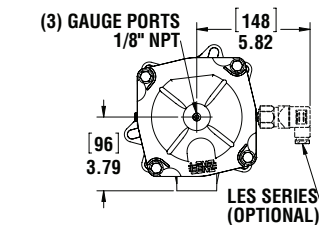
LIT-1250-R-SHORT



LIT-1250-R

LIT-1250

DUAL-LIT-1250

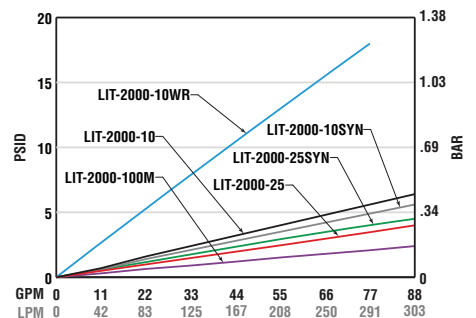
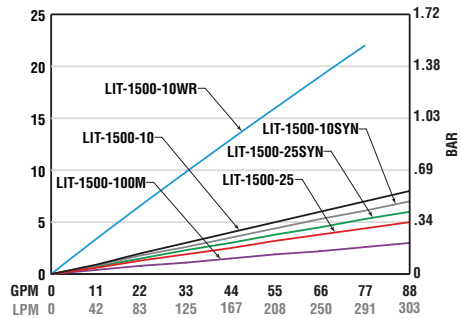
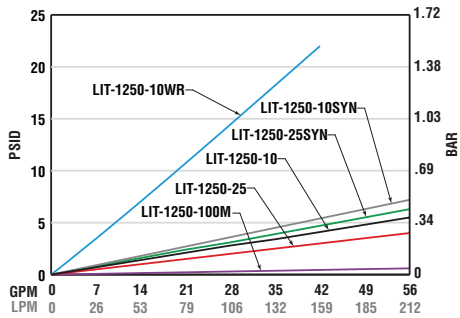
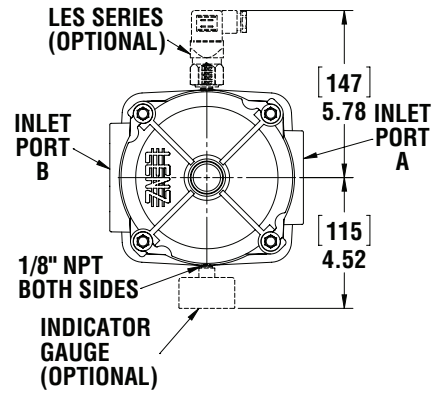
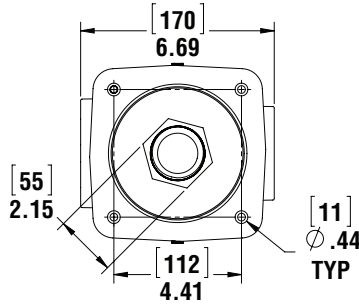
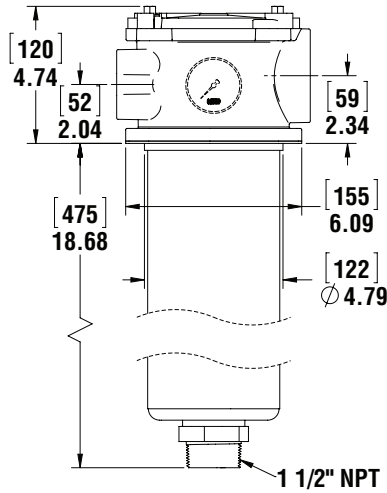


See Technical Bulletin TB.FIL9.708, TB.FIL11.708, TB.FIL20.708, for further information at (Technical Data – www.lenzinc.com)

**For indicator gauge specifications and ordering information see pages 34a-35a**



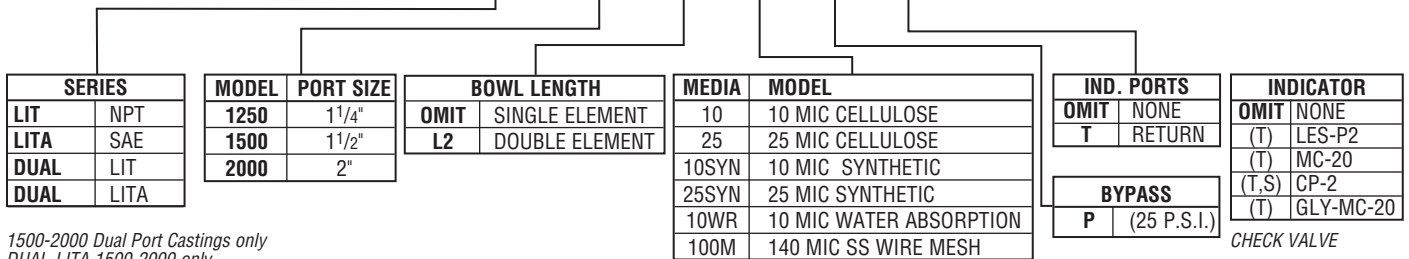
**DUAL-LIT-1500, LIT-2000**



Temperature 100° F Viscosity 150 SUS  
Average pressure drop through clean assembly

**Assembly Ordering Code**

LIT - 1250 - - 10 - P - T



**For indicator gauge specifications and ordering information see pages 34a-35a**

**Replacement Elements**

MODEL NUMBER	MEDIA	IN	CM	B=2/20/75	DIRT HOLDING
LIT-1252-10P	10 MICRON CELLULOSE	1120	7220	6μ/8μ/13μ	34
LIT-1252-25P	25 MICRON CELLULOSE	1120	7220	24μ/35μ/43μ	44
LIT-1252-10SYN	10 MICRON SYNTHETIC	1120	7220	3μ/5.5μ/12μ	34
LIT-1252-10WR	10 MICRON WATER REMOVAL	452	2916	10μ/18μ	14 Ounces
LIT-1252-100M	140 MICRON WIRE MESH	310	1991	140μ	N/A

LIT-1252 elements meet HF 4 specifications  
Element area & dirt holding shown are for one element

Beta Rating of 2 = 50% Efficiency  
Beta Rating of 20 = 95% Efficiency  
Beta Rating of 75 = 98.7% Efficiency  
Note: 45 P.S.I. Pressure Drop Maximum