

4

3

2

1

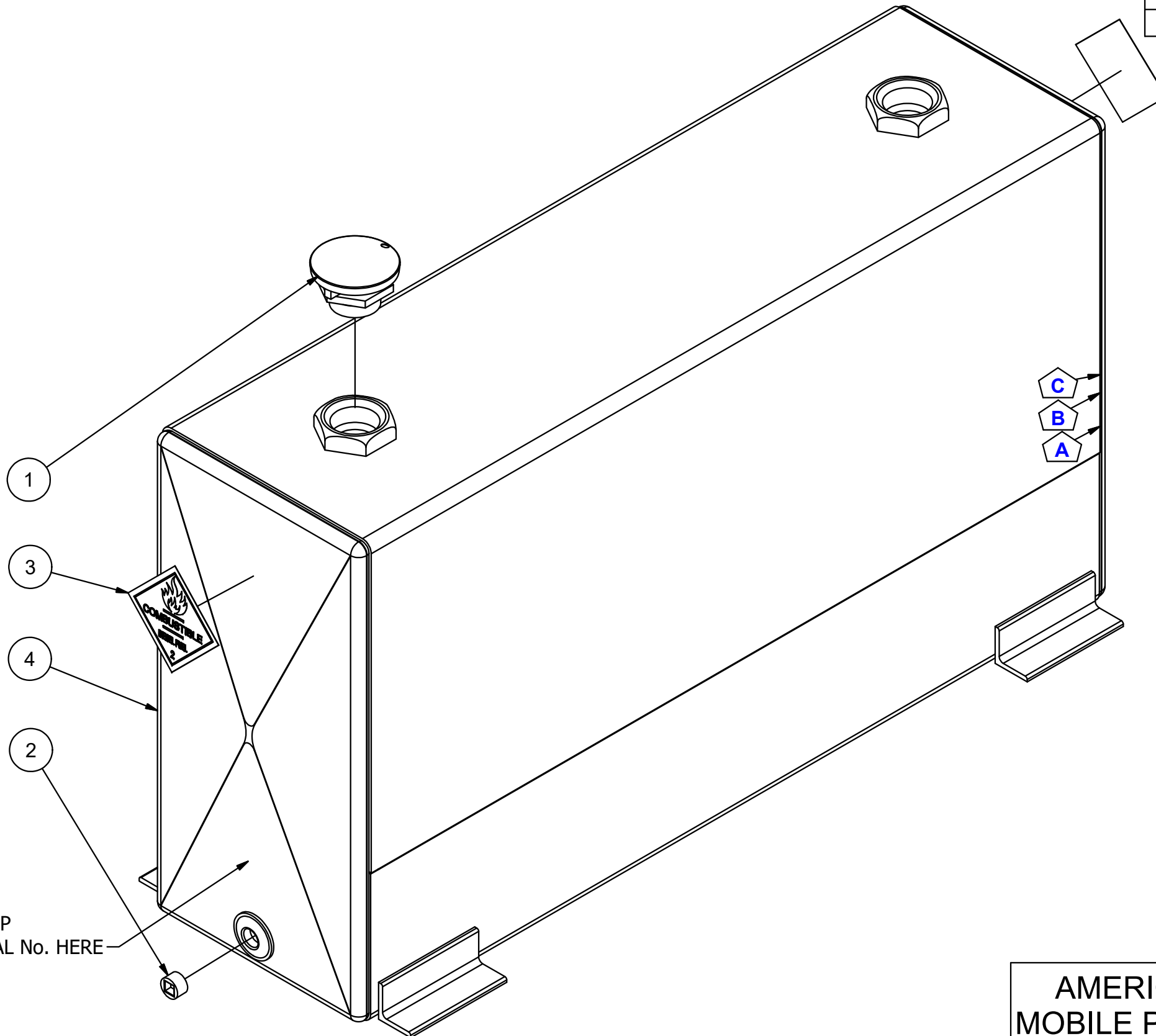
Parts List

ITEM	QTY	PART NUMBER	DESCRIPTION
1	1	906001-4	2" NPT LOCKING VENTED DIESEL FILL CAP
2	1	APP0750-M	3/4" NPT MAG PLUG
3	2	DIESEL-2	4x4 RED/WHITE PEEL-N-STICK
4	1	N_ATT4070	NAM ASSEMBLY ~71 1/2 lbs

NOTE:
-PLUG ALL PORTS FOR SHIPMENT

B

B



1

3

4

2

C
B
A

A

A

STAMP
SERIAL No. HERE

DATE	SYM.	DESCRIPTION	BY
9-14-18	N/A	ADDED S/N NOTE	BPK
10-15-15	C	SHEET LENGTH WAS 47.90	BPK
4-9-15	B	SHEET LENGTH WAS 48.00	BPK
4-9-14	A	SHEET LENGTH WAS 45.50	BPK
6-4-07	N/A	ADD STICKER	BPK
REVISIONS			
10-23-06	N/A	SUPERSEDES MODEL ATT4070 DATED 10-26-2004	BPK

AMERICAN MOBILE POWER PH: (800) 634-8265 FAX: (765) 948-3403	DRAWING BY: BPKNIGHT	DESIGN FOR: AMERICAN MOBILE POWER	FILE NAME: ATT4070	
	COMPLETED: 10/23/2006		SHEET: 1 of 9	SHEET SIZE: B

4

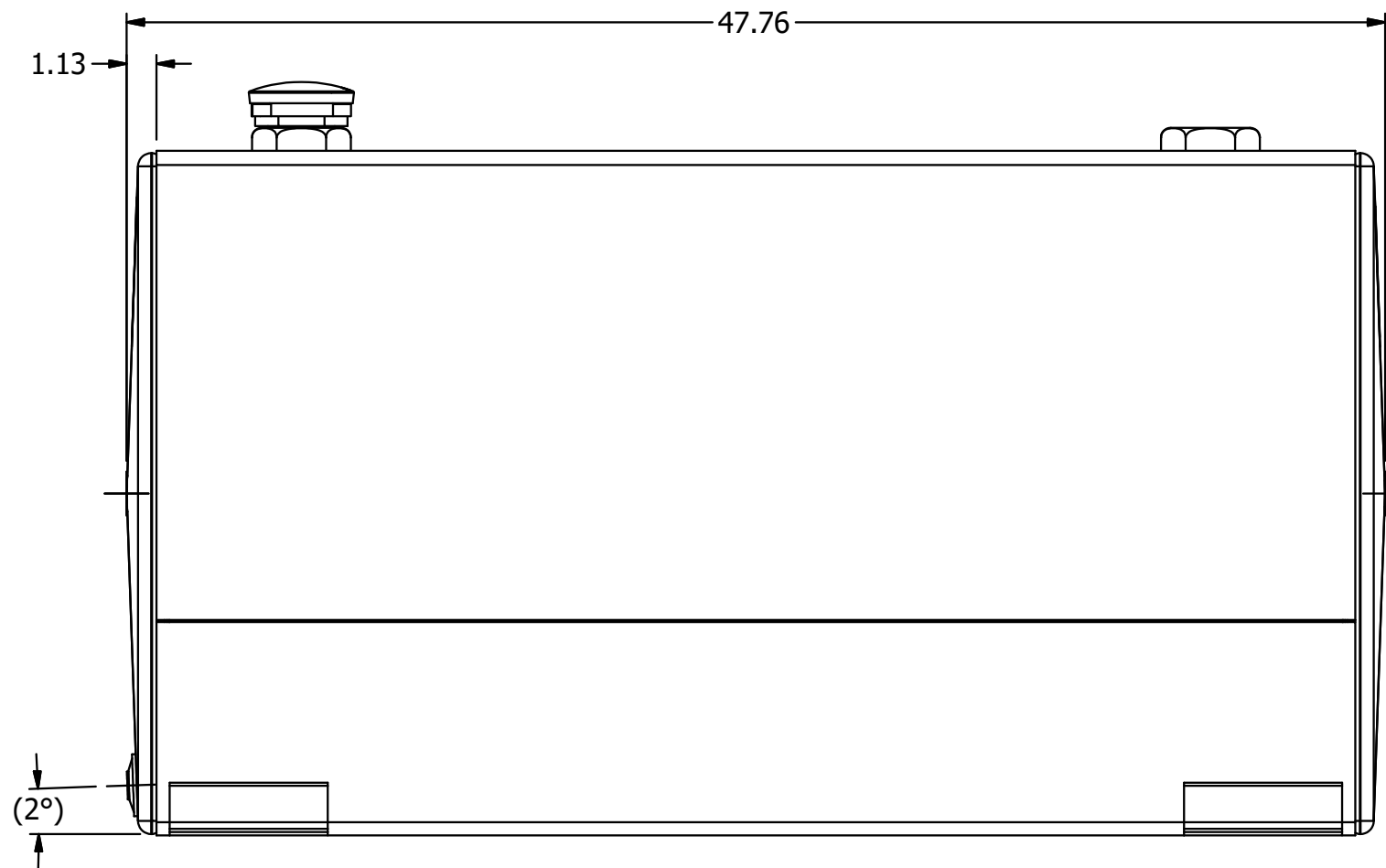
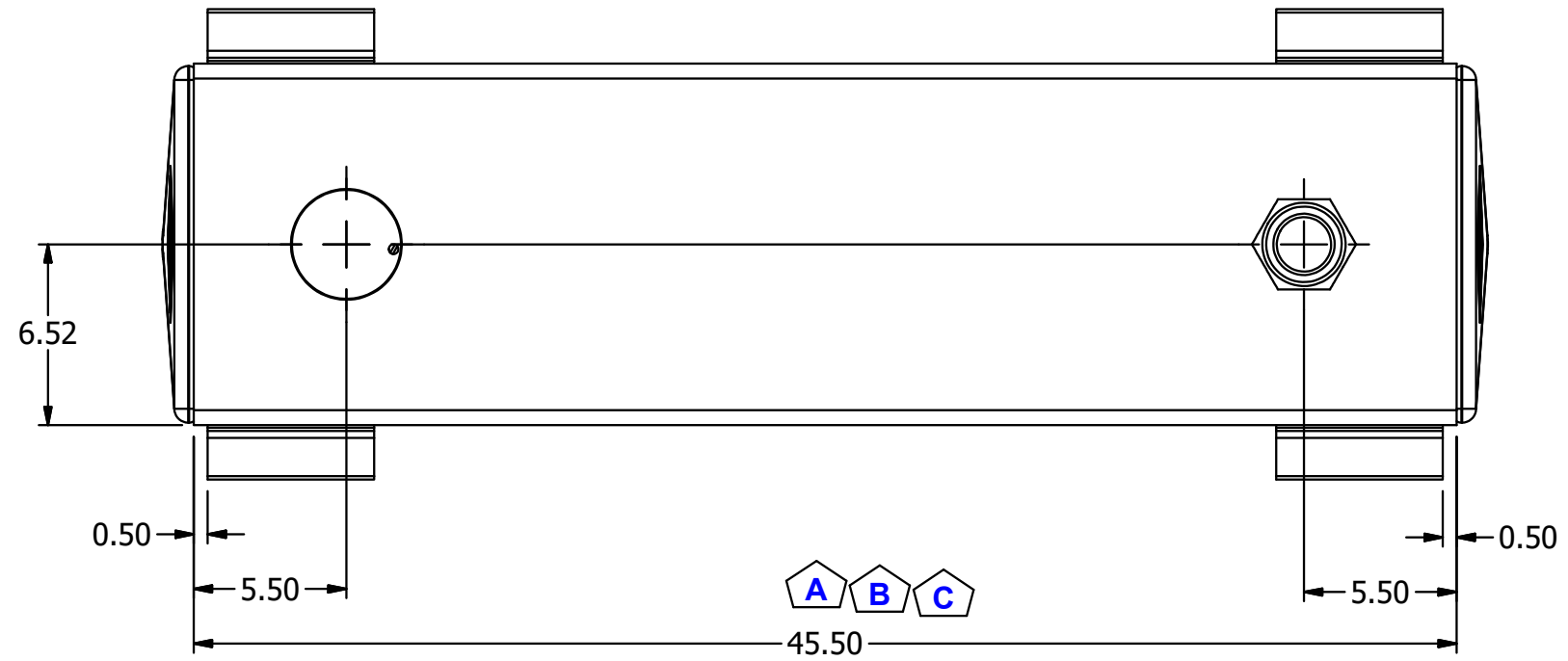
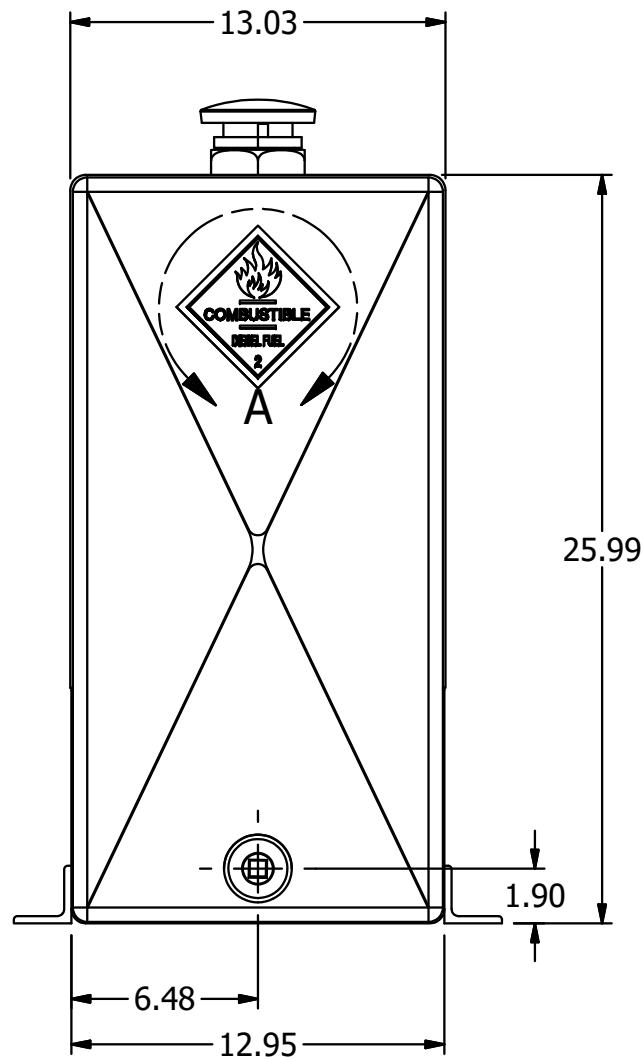
3

2

1



DETAIL A



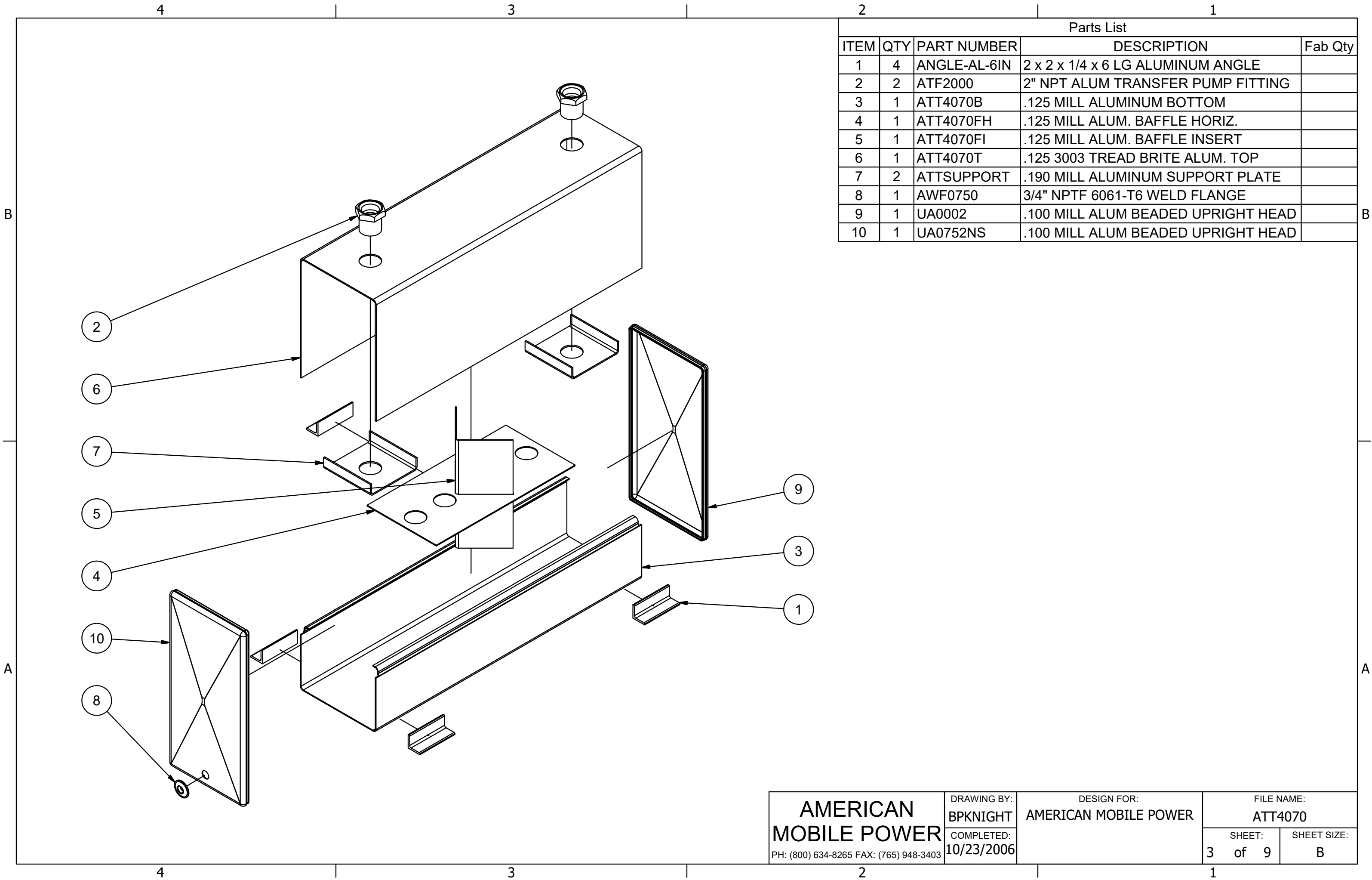
DATE	SYM.	DESCRIPTION	BY
10-15-15	C	SHEET LENGTH WAS 47.90	BPK
4-9-15	B	SHEET LENGTH WAS 48.00	BPK
4-9-14	A	SHEET LENGTH WAS 45.50	BPK

AMERICAN MOBILE POWER
 PH: (800) 634-8265 FAX: (765) 948-3403

DRAWING BY:
BPKNIGHT
 COMPLETED:
10/23/2006

DESIGN FOR:
AMERICAN MOBILE POWER

FILE NAME:
ATT4070
 SHEET: **2** of **9**
 SHEET SIZE:
B



Parts List				
ITEM	QTY	PART NUMBER	DESCRIPTION	Fab Qty
1	4	ANGLE-AL-6IN	2 x 2 x 1/4 x 6 LG ALUMINUM ANGLE	
2	2	ATF2000	2" NPT ALUM TRANSFER PUMP FITTING	
3	1	ATT4070B	.125 MILL ALUMINUM BOTTOM	
4	1	ATT4070FH	.125 MILL ALUM. BAFFLE HORIZ.	
5	1	ATT4070FI	.125 MILL ALUM. BAFFLE INSERT	
6	1	ATT4070T	.125 3003 TREAD BRITE ALUM. TOP	
7	2	ATTSUPPORT	.190 MILL ALUMINUM SUPPORT PLATE	
8	1	AWF0750	3/4" NPTF 6061-T6 WELD FLANGE	
9	1	UA0002	.100 MILL ALUM BEADED UPRIGHT HEAD	
10	1	UA0752NS	.100 MILL ALUM BEADED UPRIGHT HEAD	

AMERICAN MOBILE POWER PH: (800) 634-8265 FAX: (765) 948-3403	DRAWING BY: BPKNIGHT	DESIGN FOR: AMERICAN MOBILE POWER	FILE NAME: ATT4070	
	COMPLETED: 10/23/2006		SHEET: 3 of 9	SHEET SIZE: B