

4

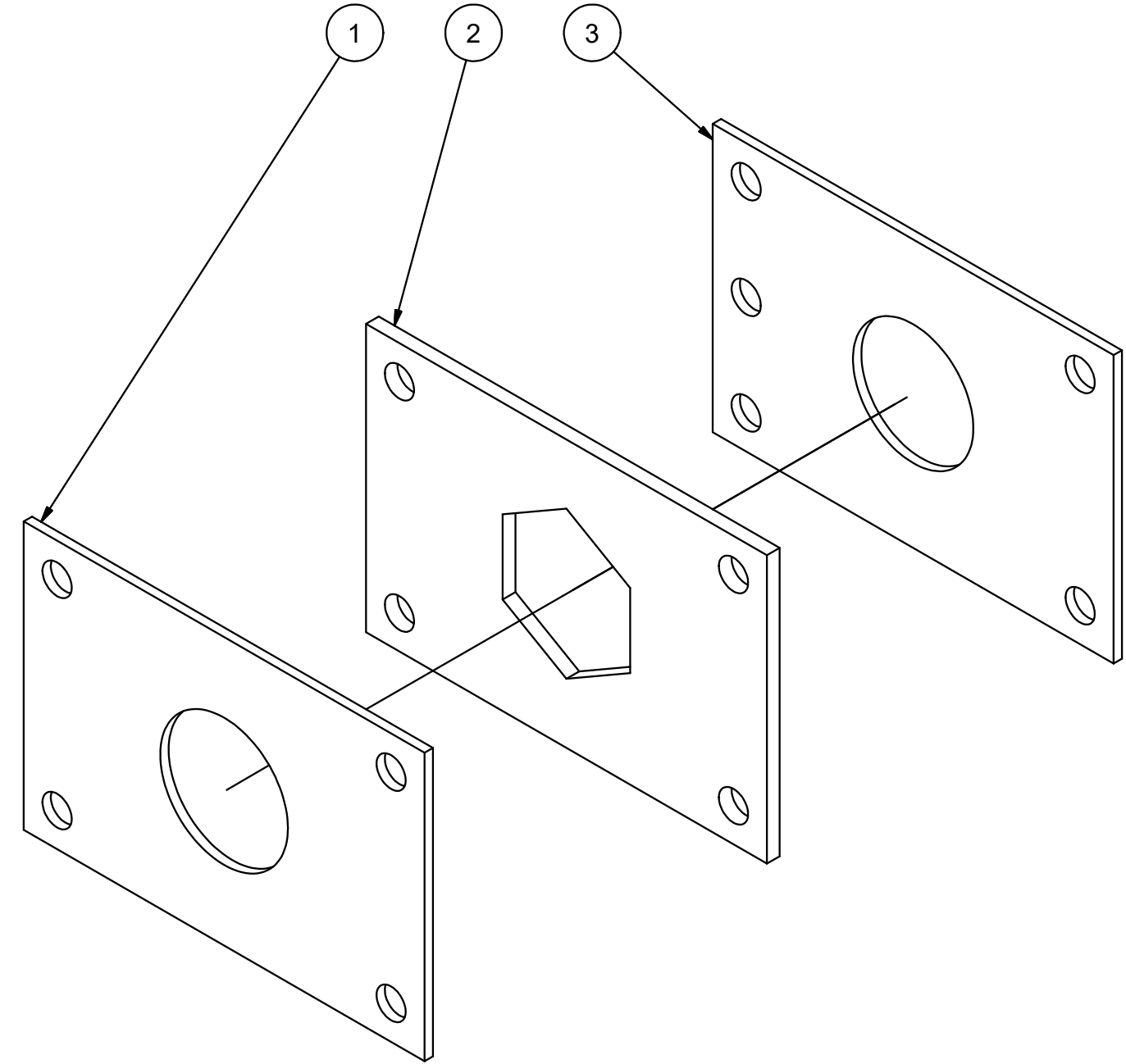
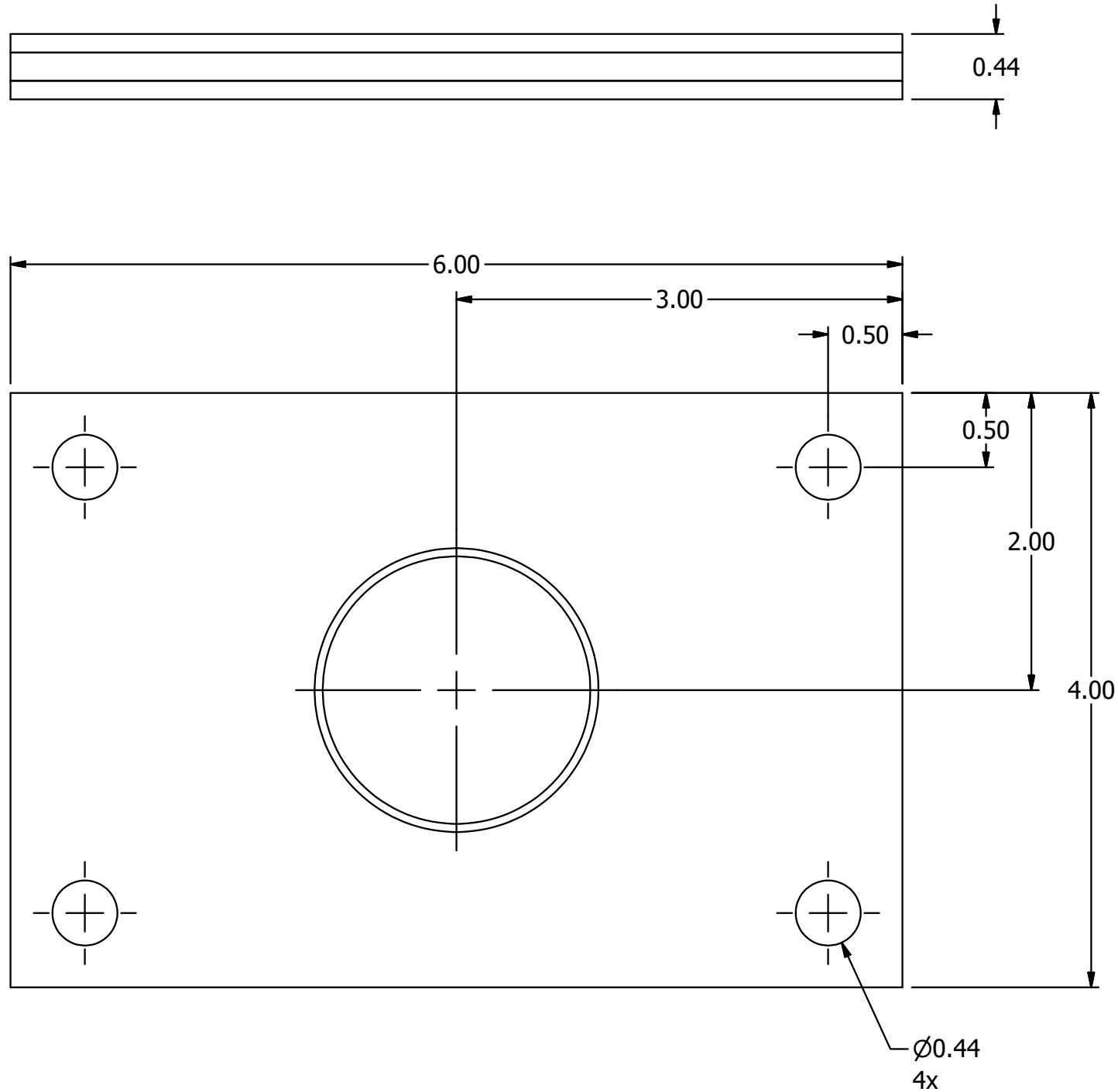
3

2

1

Parts List				
ITEM	QTY	PART NUMBER	DESCRIPTION	Fab Qty
1	1	ARM-1010-1	.125 MILL AL COVER FLANGE	
2	1	ARM-1010-2	.190 5052-H32 AL. FRAMING FLANGE	
3	1	ARM-1010-3	.125 MILL AL MOUNTING FLANGE	

HYDRAULIC ACCESSORY PARTS
MAY BE MODIFIED WITHOUT NOTICE



AMERICAN MOBILE POWER PH: (800) 634-8265 FAX: (765) 948-3403	DRAWING BY: BPKNIGHT	DESIGN FOR: AMP	FILE NAME: ARM-1010	
	COMPLETED: 2/28/2012		SHEET: 1 of 4	SHEET SIZE: B

4

3

2

1