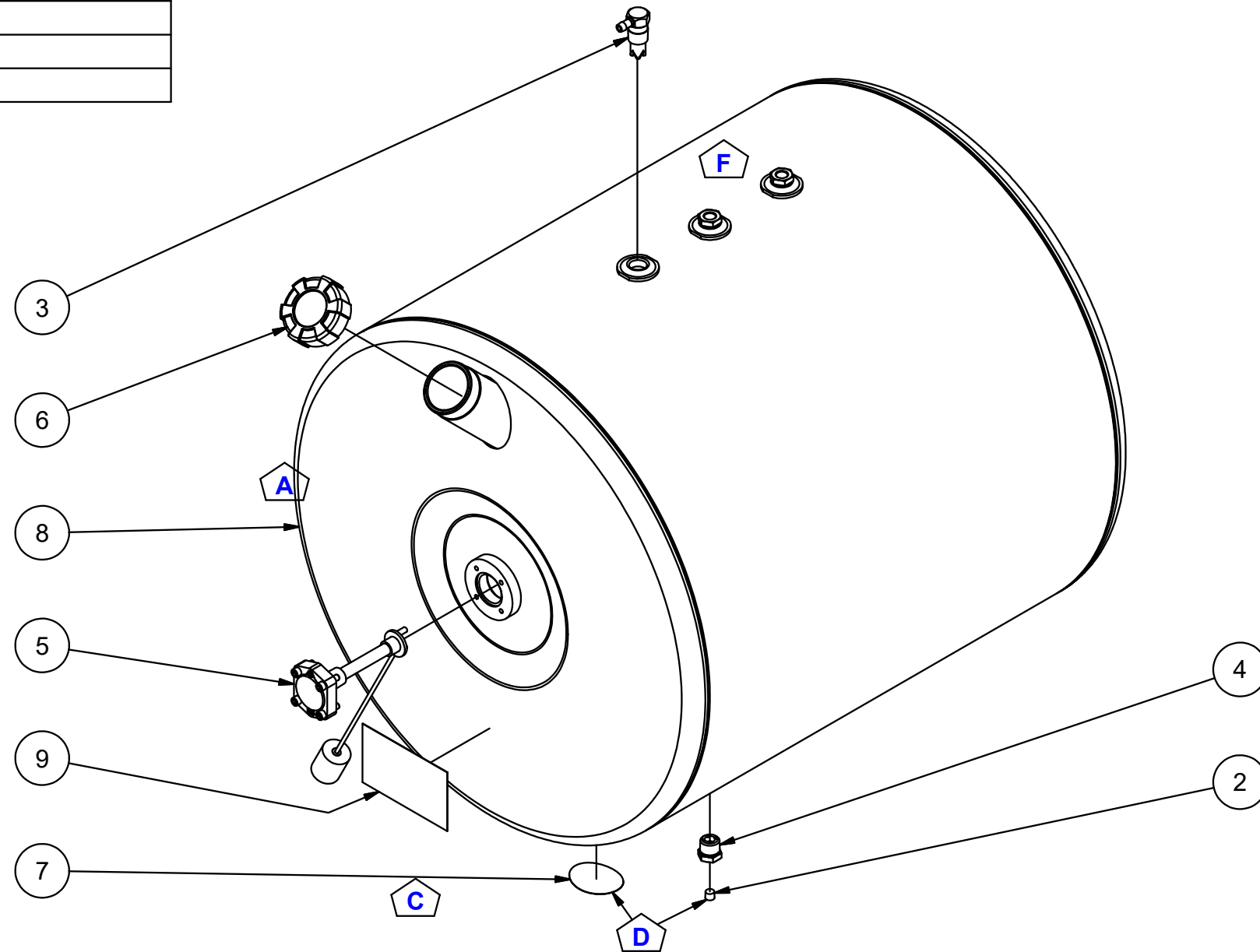


Parts List

ITEM	QTY	PART NUMBER	DESCRIPTION
1	4	23204	SHCS 1_4-20 UNC x 0.875
2	1	APP0125	1/8" NPT PLUG
3	1	ASV-0500	1/2" NPT DIESEL ANTI-SPILL VENT (060064)
4	1	BCV-0500	1/2" NPT - 1/8" NPT Brass/Steel Ball Check Valve
5	1	FGA-2200	ROCHESTER 10" RADIUS FUEL GAUGE
6	1	FNC-2000	2"-11.5 NON-VENTED AL FILL CAP (600198)
7	1	MA-1_R11	USA STICKER
8	1	N_AR8550	NAM WELDMENT ~31 lbs
9	1	REEFER TAG_1	MANUFACTURING DATA TAG

AMP PARTS INCLUDE:
 -RMK-824-S MOUNTING KIT 

NOTE:
 -PLUG ALL PORTS FOR SHIPMENT



DATE	SYM.	DESCRIPTION	BY
9-17-18	F	MOVED PICKUP TUBES TO NAM ASS'Y	BPK
9-7-18	E	KIT WAS "OPTIONAL"	BPK
12-18-13	D	ADD PLUG AND STICKER TO MODEL	BPK
2-8-11	C	ADDED MFG TAG	BPK
4-1-08	A	FILL CAP WAS #600133	BPK

**AMERICAN
MOBILE POWER**
 PH: (800) 634-8265 FAX: (765) 948-3403

DRAWING BY:
BPKNIGHT
 COMPLETED:
8/23/2005

DESIGN FOR:
AMP

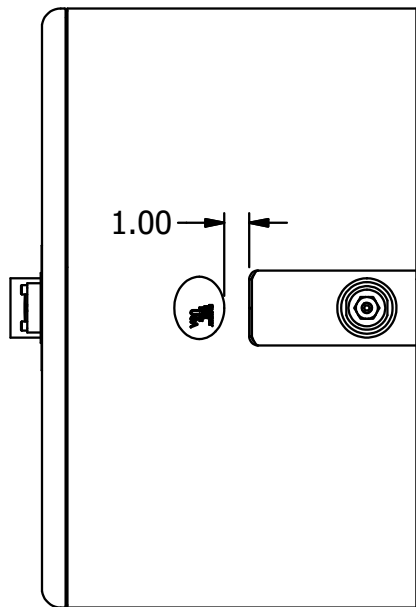
FILE NAME:
AR8550
 SHEET:
1 of 5
 SHEET SIZE:
B

4

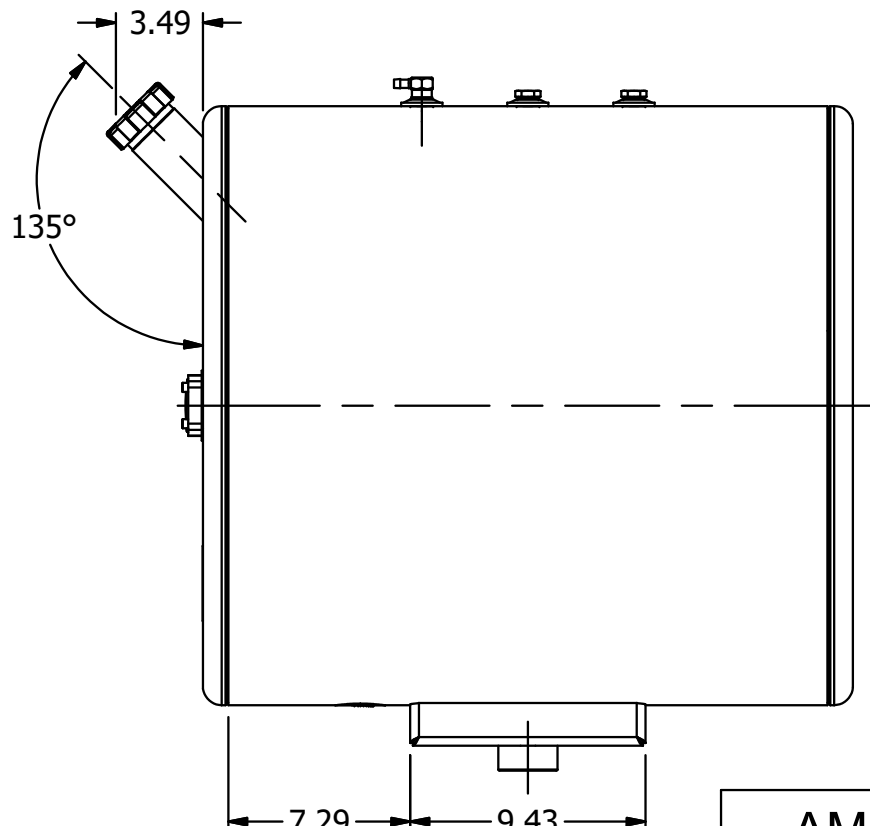
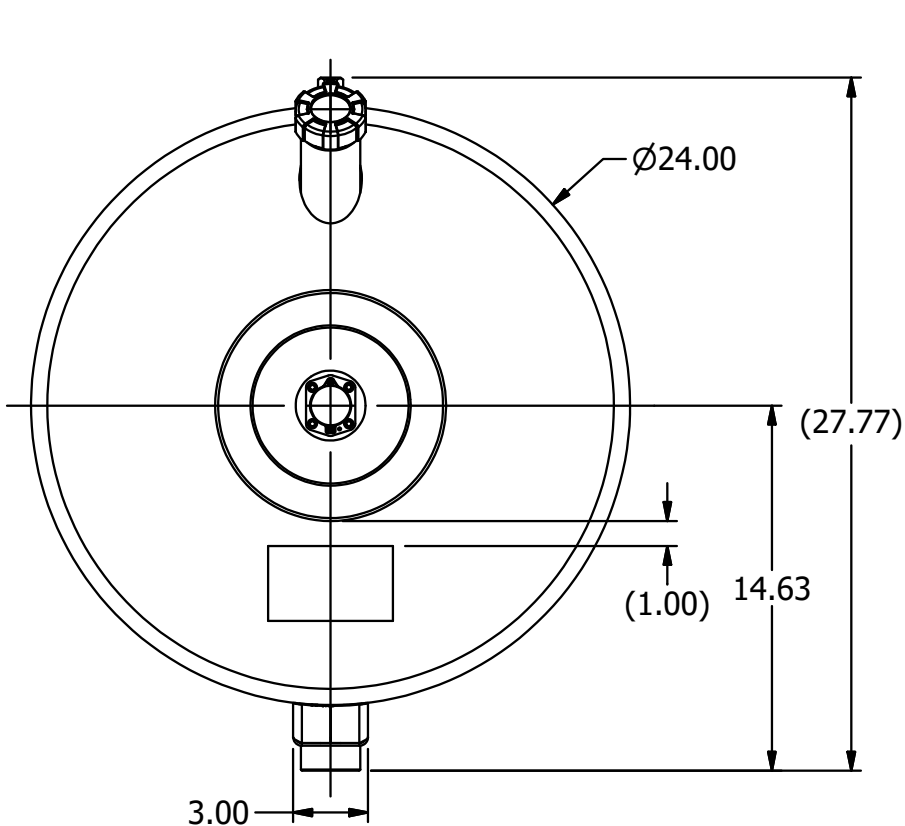
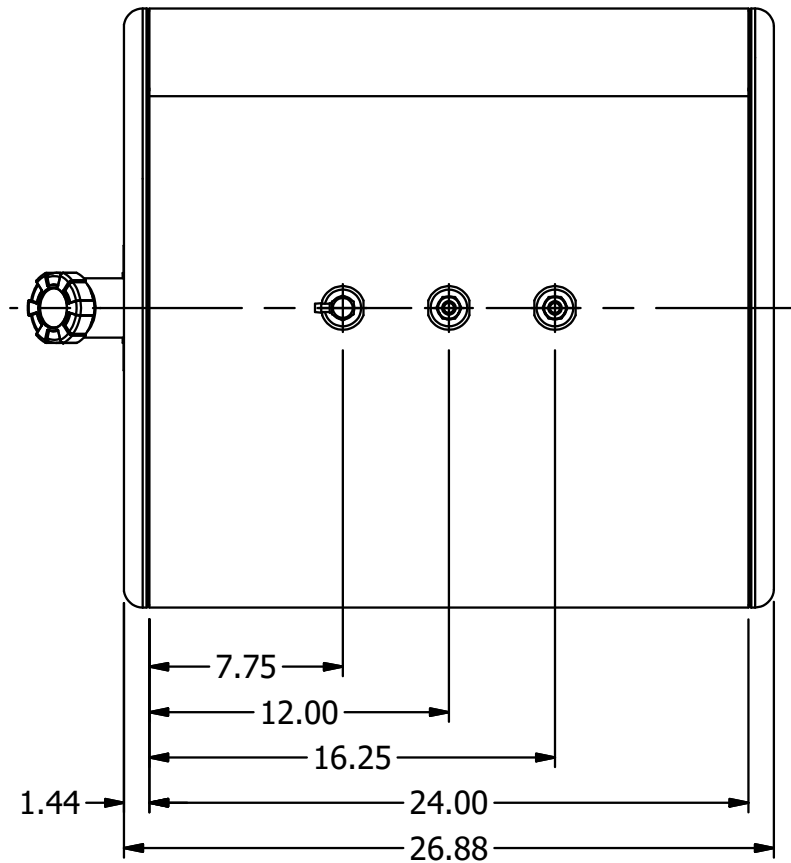
3

2

1



VIEW A-A
SCALE 0.13 : 1



AMERICAN MOBILE POWER PH: (800) 634-8265 FAX: (765) 948-3403	DRAWING BY: BPKNIGHT	DESIGN FOR: AMP	FILE NAME: AR8550	
	COMPLETED: 8/23/2005		SHEET: 2 of 5	SHEET SIZE: B

4

3

2

1

B

B

A

A

4

3

2

1

Parts List

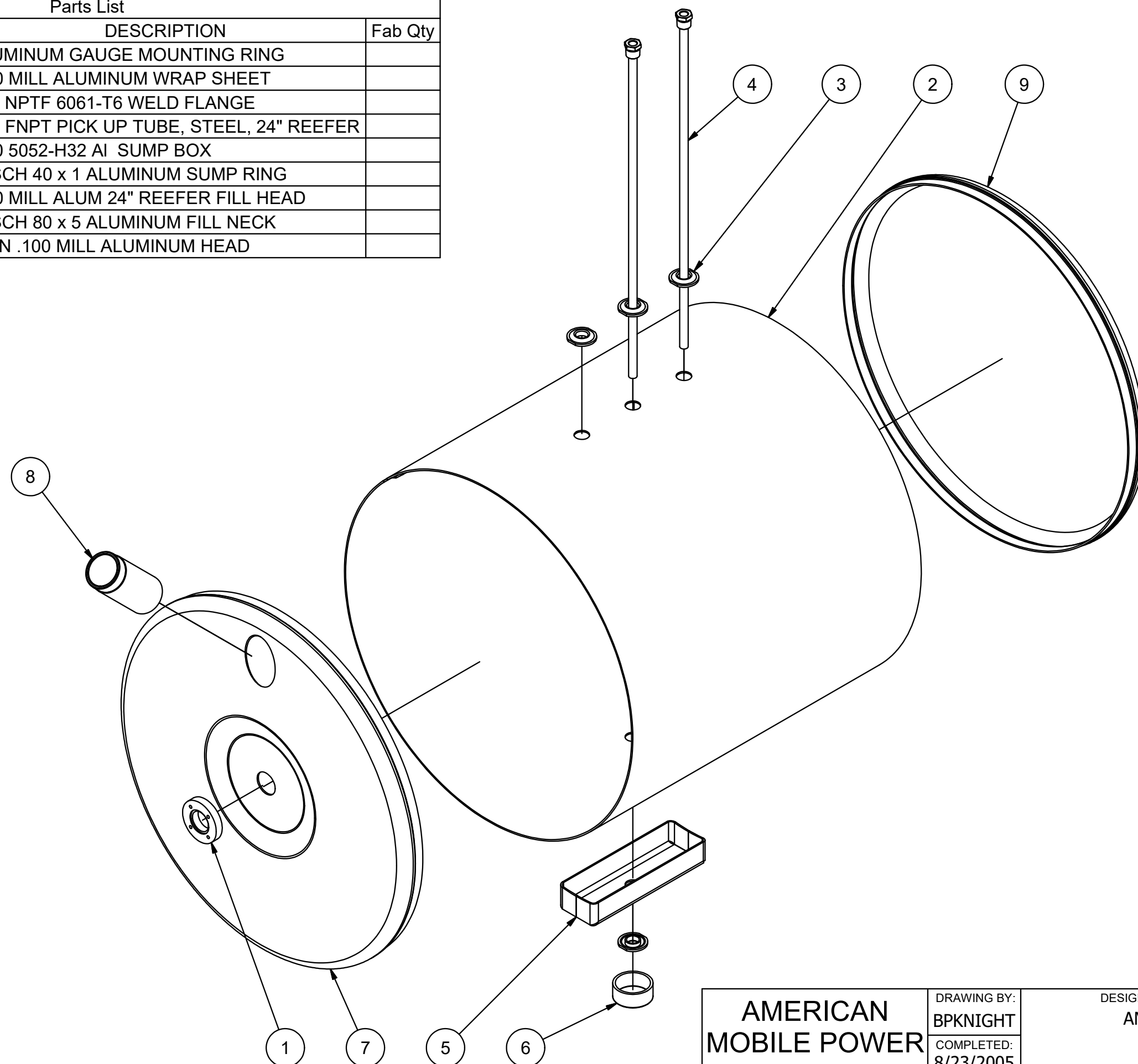
ITEM	QTY	PART NUMBER	DESCRIPTION	Fab Qty
1	1	AGF-8175	ALUMINUM GAUGE MOUNTING RING	
2	1	AR8550WS	.100 MILL ALUMINUM WRAP SHEET	
3	4	AWF0500	1/2" NPTF 6061-T6 WELD FLANGE	
4	2	PRT-2400	1/4" FNPT PICK UP TUBE, STEEL, 24" REEFER	
5	1	RA0000SB	.100 5052-H32 AI SUMP BOX	
6	1	RA0000SR	2" SCH 40 x 1 ALUMINUM SUMP RING	
7	1	RA0008FL	.100 MILL ALUM 24" REEFER FILL HEAD	
8	1	RA2000FN	2" SCH 80 x 5 ALUMINUM FILL NECK	
9	1	SA0000NS	24 IN .100 MILL ALUMINUM HEAD	

B

B

A

A



AMERICAN MOBILE POWER PH: (800) 634-8265 FAX: (765) 948-3403	DRAWING BY: BPKNIGHT	DESIGN FOR: AMP	FILE NAME: AR8550	
	COMPLETED: 8/23/2005		SHEET: 3 of 5	SHEET SIZE: B

4

3

2

1