

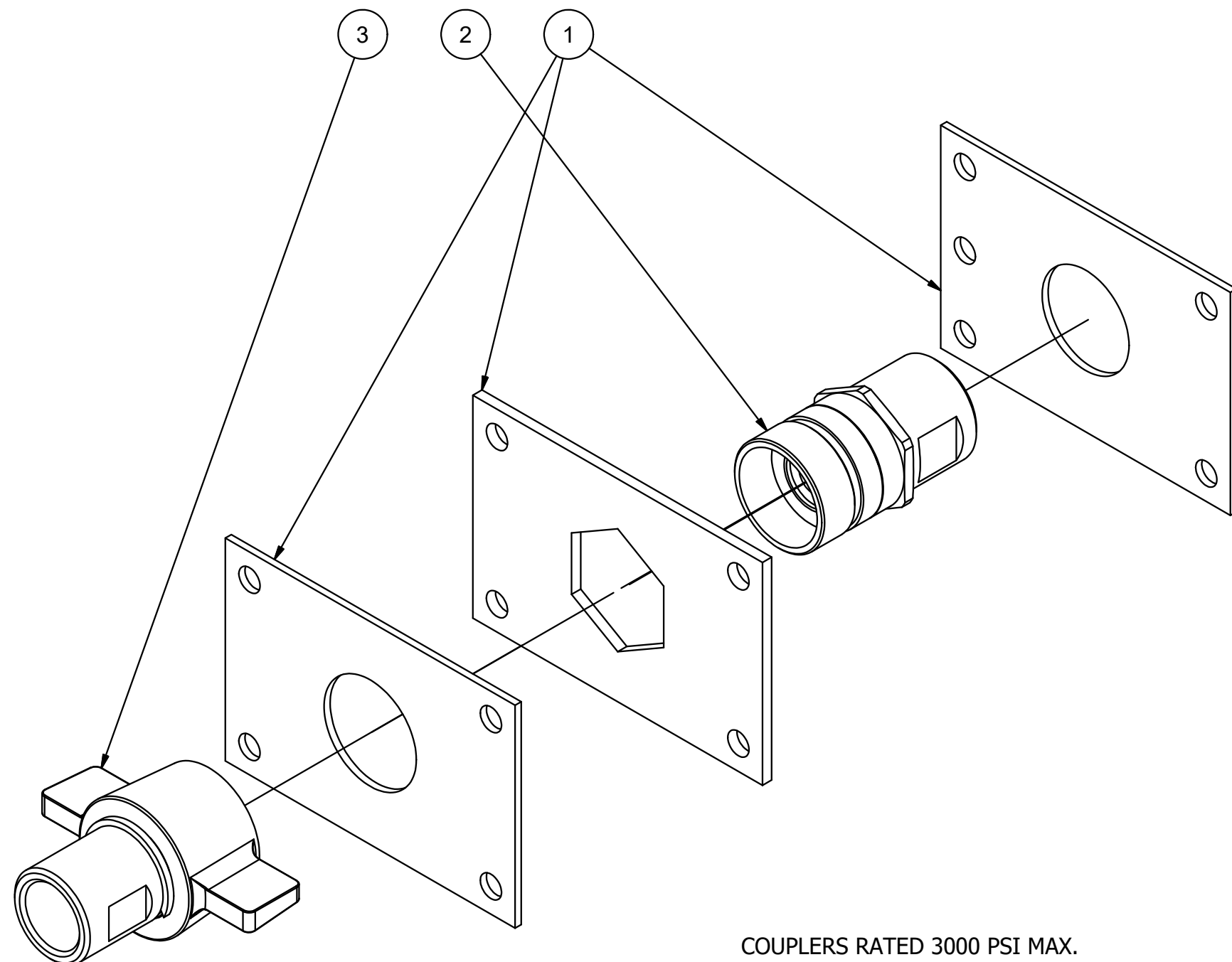
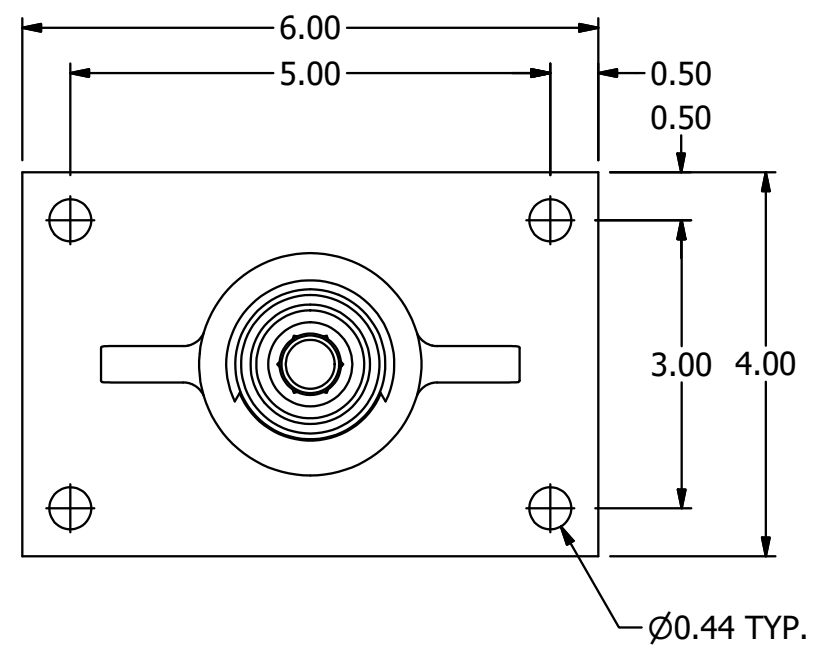
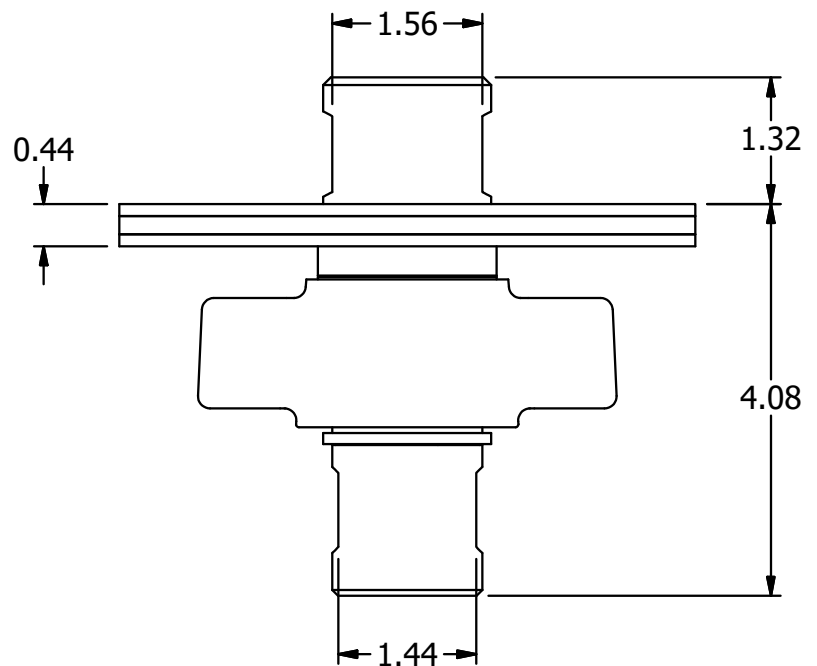
4

3

2

1

| Parts List |     |             |                    |              |  |
|------------|-----|-------------|--------------------|--------------|--|
| ITEM       | QTY | PART NUMBER | VENDOR             | STOCK NUMBER | DESCRIPTION                                    |
| 1          | 1   | ARM-1010    | NAM                |              | RAPID MOUNT ASSEMBLY (1" Quick Disc.) 1.25 lbs |
| 2          | 1   | AQM-1010    | Safeway Hydraulics | S511-8-STL   | 1" MALE COUPLER END                            |
| 3          | 1   | AQF-1010    | Safeway Hydraulics | S515-8-STL   | 1" FEMALE COUPLER END                          |



COUPLERS RATED 3000 PSI MAX.

| DATE   | SYM. | DESCRIPTION                                 | BY  |
|--------|------|---|-----|
| 4-7-17 |      | updated plates for plus tolerances of parts | BPK |

|  |                         |                    |                        |                  |
|--|-------------------------|--------------------|------------------------|------------------|
| <b>AMERICAN<br/>MOBILE POWER</b><br>PH: (800) 634-8265 FAX: (765) 948-3403 | DRAWING BY:<br>bknight  | DESIGN FOR:<br>AMP | FILE NAME:<br>AQD-1010 |                  |
|  | COMPLETED:<br>2/28/2012 |                    | SHEET:<br>1 of 1       | SHEET SIZE:<br>B |

4

3

2

1

B

B

A

A