

4

3

2

1

Parts List

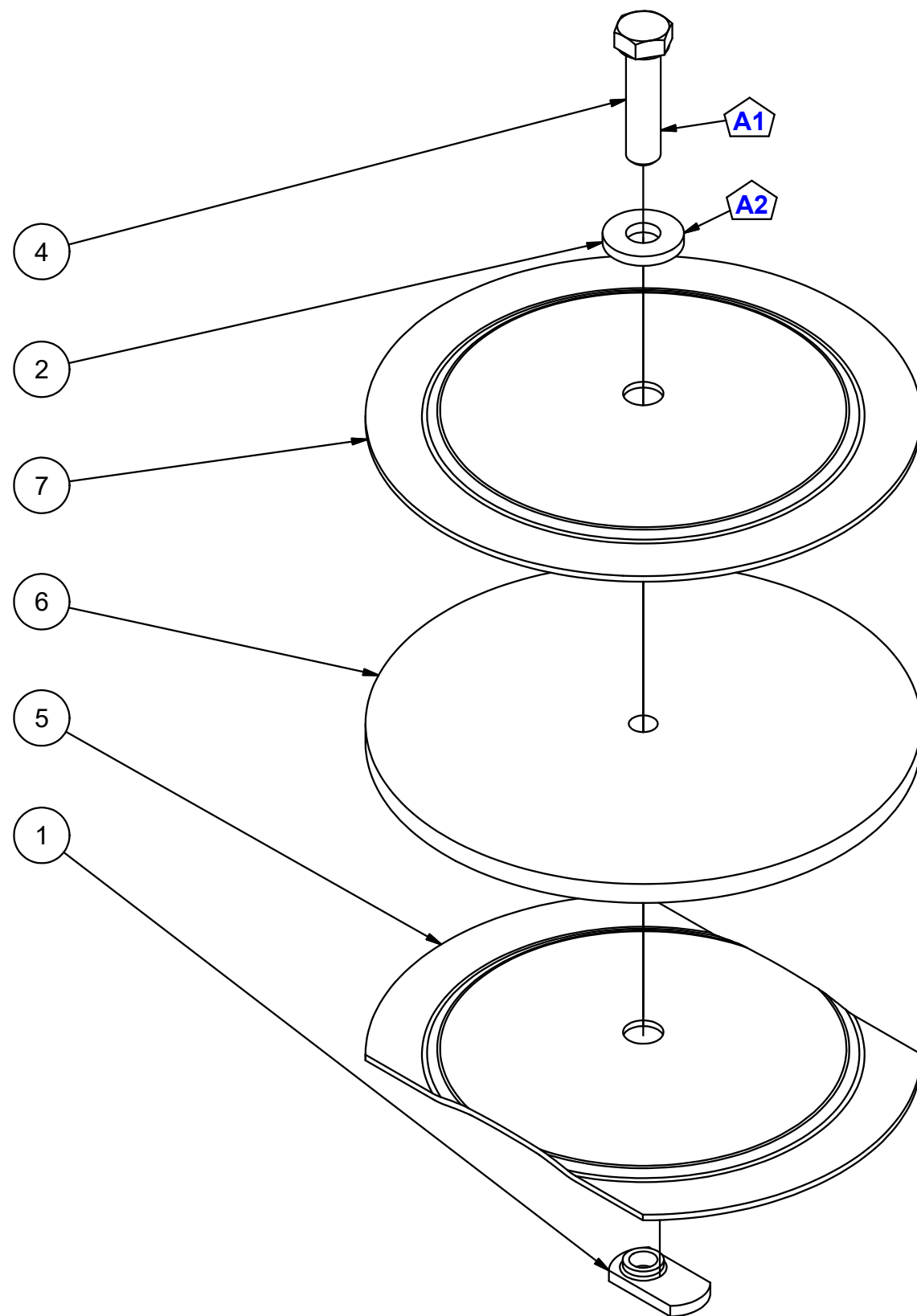
ITEM	QTY	PART NUMBER	DESCRIPTION
1	1	0375-16-SSTWN	3/8-16 STAINLESS WELD NUT
2	1	17W08812	WASHER Flat .880x.375x.125 NYLON
4	1	70109	3/8-16 UNC x 1.5 HexCapScrew 18-8
5	1	APC-160-C-SS	14 GA 304 SS CLAMP
6	1	APC-160-G	.25 NEOPRENE RUBBER GASKET
7	1	APC-160-T-SS	14 GA 304 SS TOP

B

B

A

A



DATE	SYM.	DESCRIPTION	BY
8-7-18	A	(1) WAS 1-1/4 LONG; 2) WAS 0375-SSBW	BPK

REVISIONS

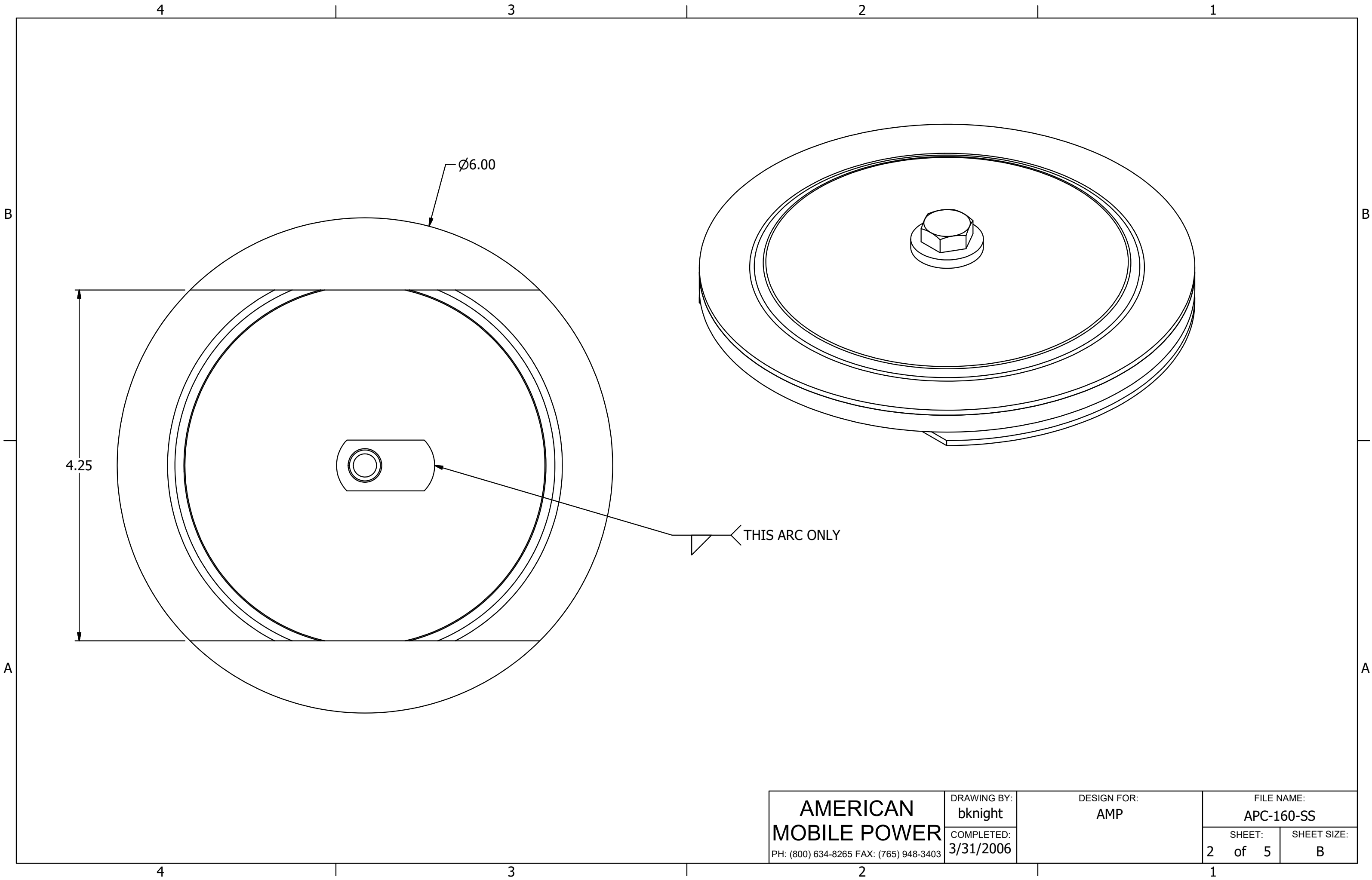
AMERICAN MOBILE POWER PH: (800) 634-8265 FAX: (765) 948-3403	DRAWING BY: bknight	DESIGN FOR: AMP	FILE NAME: APC-160-S	
	COMPLETED: 3/31/2006		SHEET: 1 of 5	SHEET SIZE: B

4

3

2

1



AMERICAN MOBILE POWER PH: (800) 634-8265 FAX: (765) 948-3403	DRAWING BY: bknight	DESIGN FOR: AMP	FILE NAME: APC-160-SS	
	COMPLETED: 3/31/2006		SHEET: 2 of 5	SHEET SIZE: B